



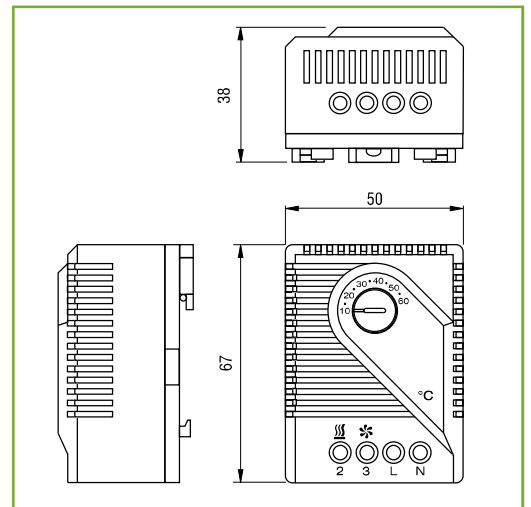
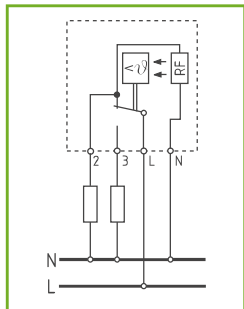
TEMPERATURE REGULATOR WI280



TECHNICAL FEATURES

Voltage: 230 V AC
 Adjustment range: +5 +60°C
 Contact capacity:
 • close 5A/250 V AC
 • open 10A/250 V AC
 Connections 2,5 mm² 4 poles
 Fixing: clip fixing on 35 mm DIN rails
 Housing: UL 94 V0 thermoplastic material
 Dimensions: 67 x 50 x 38 mm.

PROTECTION RATING
 IP20.



ELECTRONIC TEMPERATURE/HUMIDITY CONTROLLER WI290



TECHNICAL FEATURES

Voltage: 100 – 240 V AC
 Temperature regulation: 0° ÷ 60°C
 Intervention sensitivity: + 2°C
 Respective humidity regulation: 50% ÷ 90%
 Response time: about 5 sec
 Contact capacity: Max: 240 V 10 A
 ON indicator: LED
 Fixing: clip fixing on 35 mm DIN rail
 Dimensions: 60 x 77 x 43 mm
 Housing: UL 94 V0 thermoplastic material.

PROTECTION RATING
 IP20

* Available upon request: 120V version

