

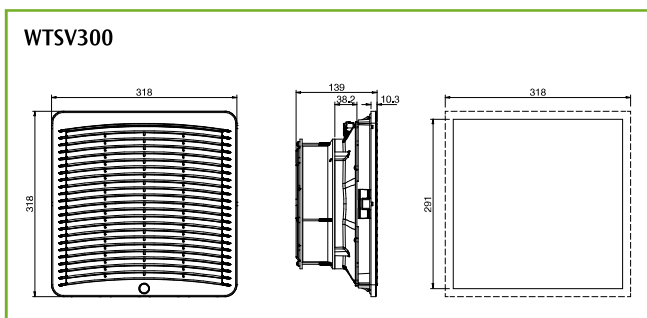
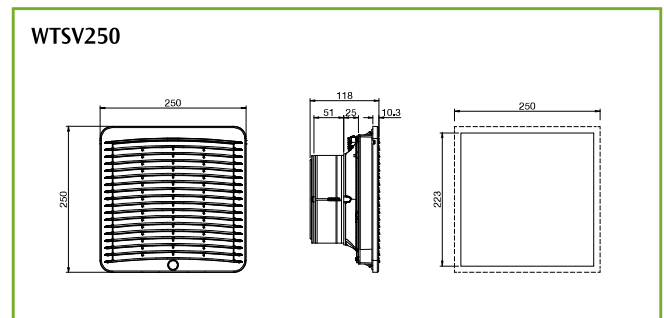
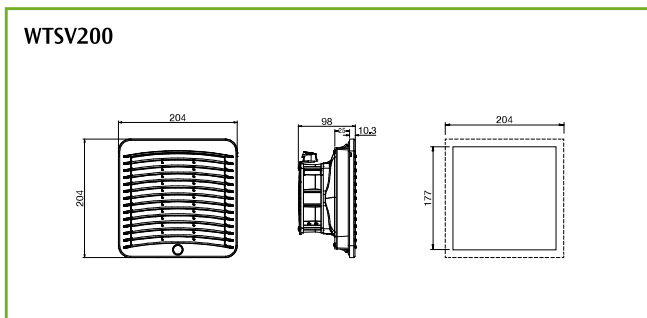
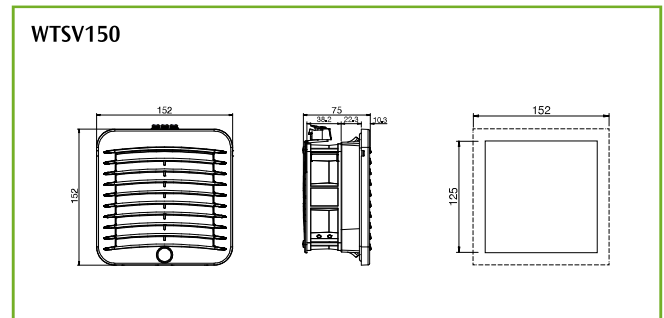
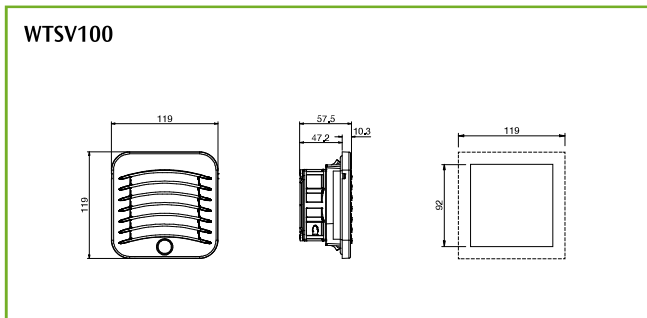


TECHNICAL FEATURES

- Easy maintenance and filter substitution
- Screwless
- Designed in ABS BLEND (RAL7035)
- Air Flow 35 - 850 m³/h
- Reversible air flow, push /pull
- MTBF: 40000 hours.

PROTECTION RATING:

- IP54
- Nema 12.



FILTER FAN

CODE	FAN FLOW m ³ /h	VOLTAGE V-ph-Hz	DIMENSIONS (mm)			COMPATIBLE WITH FILTER GRID
			HEIGHT	WIDTH	DEPTH	
WTSV1000220	35	230 - 1 - 50/60	119	119	57,5	WTSG10
WTSV1500220	67	230 - 1 - 50/60	152	152	75	WTSG15
WTSV2000220	108	230 - 1 - 50/60	204	204	98	WTSG20
WTSV2500220	190	230 - 1 - 50/60	250	250	118	WTSG25
WTSV2501220*	270	230 - 1 - 50/60	250	250	99	WTSG25
WTSV3000220	500	230 - 1 - 50/60	318	318	139	WTSG30
WTSV3001220*	700	230 - 1 - 50/60	318	318	135	WTSG30
WTSV3002220*	850	230 - 1 - 50/60	318	318	160,5	WTSG30
WTSV1000203	35	115 - 1 - 50/60	119	119	57,5	WTSG10
WTSV1500203	67	115 - 1 - 50/60	152	152	75	WTSG15
WTSV2000203	108	115 - 1 - 50/60	204	204	98	WTSG20
WTSV2500203	190	115 - 1 - 50/60	250	250	118	WTSG25
WTSV2501203*	270	115 - 1 - 50/60	250	250	99	WTSG25
WTSV3000203	500	115 - 1 - 50/60	318	318	139	WTSG30
WTSV3001203*	700	115 - 1 - 50/60	318	318	135	WTSG30
WTSV3002203*	850	115 - 1 - 50/60	318	318	160,5	WTSG30
WTSV1000211*	50	24 VDC	119	119	57,5	WTSG10
WTSV1500211*	67	24 VDC	152	152	75	WTSG15
WTSV2000211*	108	24 VDC	204	204	98	WTSG20
WTSV2500211*	230	24 VDC	250	250	118	WTSG25
WTSV3002262*	850	400 -3 - 50 / 460 - 3 - 60	318	318	160,5	WTSG30

* Available on request

FILTER GRID

CODE	DIMENSIONS (mm)			COMPATIBLE WITH FILTER FAN
	HEIGHT	WIDTH	DEPTH	
WTSG10	119	119	28,5	WTSV1000220 - WTSV1000203 WTSV1000211
WTSG15	152	152	32,5	WTSV1500220 - WTSV1500203 WTSV1500211
WTSG20	204	204	33,5	WTSV2000220 - WTSV2000203 WTSV2000211
WTSG25	250	250	47,5	WTSV2500220 - WTSV2501220 WTSV2500203 - WTSV2501203 WTSV2500211
WTSG30	318	318	34	WTSV3000220 - WTSV3001220 WTSV3002220 - WTSV3000203 WTSV3001203 - WTSV3002203 WTSV3002262



STANDARD AIR FILTERS

- Material: chemical fibers
- Weight 200 g/m²
- Thickness 14 mm
- Dust holding capacity 600 g/m²
- Supply includes 10 pieces.

AIR FILTERS (10 pcs)

CODE	COMPATIBLE WITH FILTER GRID
WTFSG10	WTSG10
WTFSG15	WTSG15
WTFSG20	WTSG20
WTFSG25	WTSG25
WTFSG30	WTSG30

Thermal

WTSV1000	M.U	WTSV1000220		WTSV1000203		WTSV1000211	
Rated voltage	V	230,1		115,1		24VDC	
Nominal frequency	Hz	50	60	50	60	–	
Fan flow without filter grid	m ³ / h	35		35		50	
Fan flow with filter grid	m ³ / h	24 / 27		24 / 27		32 / 38	
Power absorbed	W	4,6	4,5	3,6	2,86	6,1	
Absorbed current	A	0,21	0,205	0,22	0,175	0,265	
Pre-fuse T	A	0,5		0,5		0,5	
Internal operating temperature *	°C	-10 / +70		-10 / +70		-10 / +70	
External sound pressure	dB (A)	33		33		53	
Height x Width x Depth	mm	119 x 119 x 57,5		119 x 119 x 57,5		119 x 119 x 57,5	

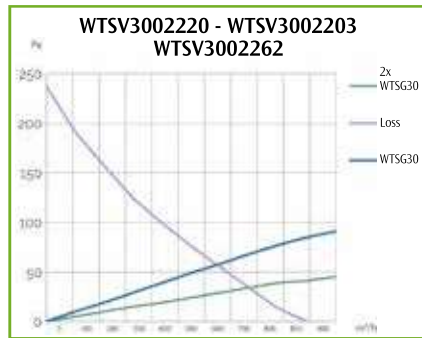
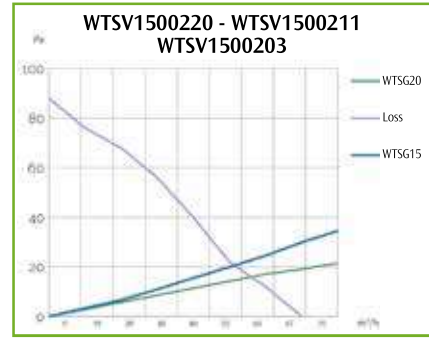
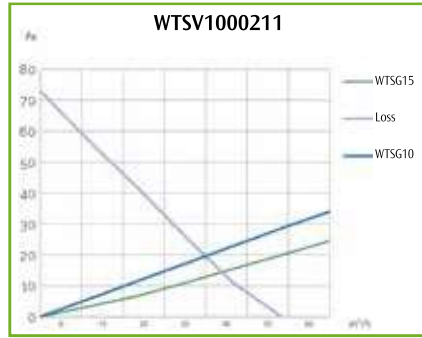
WTSV1500	M.U	WTSV1500220		WTSV1500203		WTSV1500211	
Rated voltage	V	230,1		115,1		24VDC	
Nominal frequency	Hz	50	60	50	60	–	
Fan flow without filter grid	m ³ / h	67		67		67	
Fan flow with filter grid	m ³ / h	50 / 58		50 / 58		50 / 58	
Power absorbed	W	22	22	22	25	8,1	
Absorbed current	A	0,14	0,14	0,26	0,3	0,335	
Pre-fuse T	A	0,5		0,5		1	
Internal operating temperature *	°C	-10 / +70		-10 / +70		-10 / +70	
External sound pressure	dB (A)	49		49		48	
Height x Width x Depth	mm	152 x 152 x 75		152 x 152 x 75		152 x 152 x 75	

WTSV2000	M.U	WTSV2000220		WTSV2000203		WTSV2000211	
Rated voltage	V	230,1		115,1		24VDC	
Nominal frequency	Hz	50	60	50	60	–	
Fan flow without filter grid	m ³ / h	108		108		108	
Fan flow with filter grid	m ³ / h	75 / 88		75 / 88		75 / 88	
Power absorbed	W	22	22	22	24,5	8,1	
Absorbed current	A	0,14	0,14	0,26	0,29	0,335	
Pre-fuse T	A	0,5		0,5		1	
Internal operating temperature *	°C	-10 / +70		-10 / +70		-10 / +70	
External sound pressure	dB (A)	49		49		48	
Height x Width x Depth	mm	204 x 204 x 98		204 x 204 x 98		204 x 204 x 98	

WTSV2500	M.U	WTSV2500220		WTSV2500203		WTSV2500211		WTSV2501220	
Rated voltage	V	230,1		115,1		24VDC		230,1	
Nominal frequency	Hz	50	60	50	60	–		50	60
Fan flow without filter grid	m ³ / h	190		190		230		270	
Fan flow with filter grid	m ³ / h	130 / 160		130 / 160		190 / 210		200 / 220	
Power absorbed	W	25	70	39	38	26,6	50	66	
Absorbed current	A	0,11	0,31	0,59	0,575	0,86	0,25	0,33	
Pre-fuse T	A	0,5		1		1,5		0,5	
Internal operating temperature *	°C	-10 / +70		-10 / +70		-10 / +70		-10 / +70	
External sound pressure	dB (A)	55		55		59		62	
Height x Width x Depth	mm	250 x 250 x 118		250 x 250 x 118		250 x 250 x 118		250 x 250 x 118	

WTSV3000	M.U	WTSV3000220		WTSV3000203		WTSV3001220		WTSV3001203	
Rated voltage	V	230,1		115,1		230,1		115,1	
Nominal frequency	Hz	50	60	50	60	50	60	50	60
Fan flow without filter grid	m ³ / h	500		500		700		700	
Fan flow with filter grid	m ³ / h	380 / 450		380 / 450		600 / 670		600 / 670	
Power absorbed	W	50	63	50	72	115	173	125	170
Absorbed current	A	0,25	0,315	0,42	0,61	0,51	0,77	1,1	1,5
Pre-fuse T	A	0,5		1		1		2	
Internal operating temperature *	°C	-10 / +60		-10 / +60		-10 / +60		-10 / +60	
External sound pressure	dB (A)	62		62		65		68	
Height x Width x Depth	mm	318 x 318 x 139		318 x 318 x 13		318 x 318 x 135		318 x 318 x 135	

* +55°C UL



WTSV2501203	
115,1	
50	60
270	
200 / 220	
50	75
0,42	0,63
1	
-10 / +70	
62	
250 x 250 x 118	

WTSV3002220		WTSV3002203		WTSV3002262	
230,1		115,1		400,3	460,3
50	60	50	60	50	60
850		850		850	
620 / 670		620 / 700		620 / 700	
142	182	115	196	115	204
0,63	0,81	1,02	1,24	0,23	0,355
1,5		2		1	
-10 / +60		-10 / +60		-10 / +60	
65		71		65	
318 x 318 x 160,5		318 x 318 x 160,5		318 x 318 x 160,5	



**VENTILATION/FILTERS
SHROUD KIT IP56
WTCV**

Cfr. pages 68 and 222.