

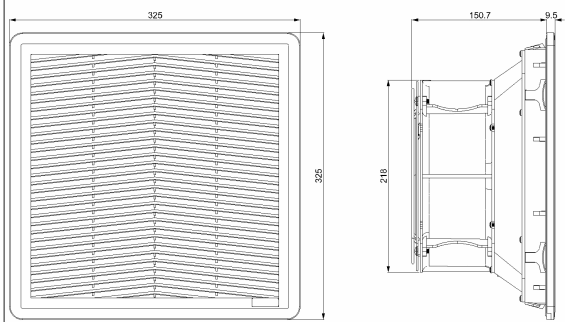
## "FF20A" SERIES FAN FILTERS

Description: Fan Filters 115/230 Va.c.

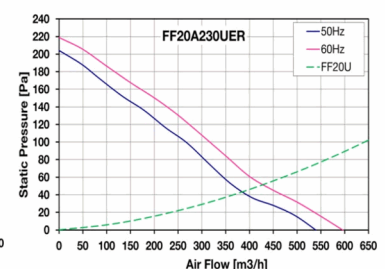
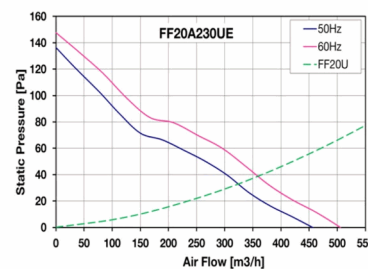
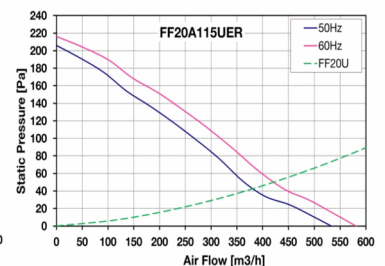
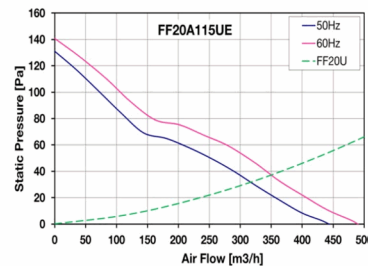
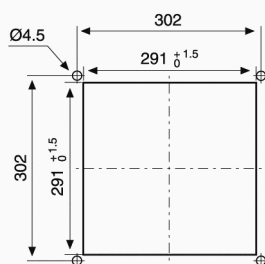


<b>Type of material:</b>	PC/ABS Alloy, PA 66 GF13 HSL for elastic clips
<b>Standard color:</b>	RAL 7035, other colors on request
<b>Protection degree:</b>	IP54, according to EN 60529 Std
<b>Fixing system:</b>	by elastic clips
<b>Plate thickness:</b>	from 1.3 mm to 3.7 mm (up to 4 mm with cut-out max tolerance)
<b>Storage temperature:</b>	from -30°C to +70°C
<b>Motor Lifetime L10 at 25°C:</b>	65,000 h
<b>Working class of capacitor:</b>	class B for 115V models class A for 230V models
<b>Motor protection:</b>	thermal
<b>Electrical connection:</b>	by screwless terminal block 3 poles L-N-PE, 2.5 mm <sup>2</sup> (20-14 AWG)
<b>Earth connection:</b>	by PE pole
<b>Appliance class:</b>	class I
<b>Type of filter media:</b>	thermo-linked progressive structure synthetic fibre
<b>Filtering class:</b>	G3, according to EN 779
<b>Degree of separation:</b>	85% - DIN 24185
<b>Dust retention capacity:</b>	600 g/m <sup>2</sup>
<b>Note:</b>	filter media is washable about 10 times
<b>Weight:</b>	3.6 kg

### technical drawing (standard flow)



### mounting cut-out



Model	Voltage (V)	Frequency (Hz)	Rated Current (A)	Rated Power (W)	Max Air Flow** (m3/h)	Static Pressure (Pa)	Fan Noise [db(A)]	Rated Temp. Range (°C)	Approvals
FF20A115UE	115 V a.c.	50/60	0.70/0.80	77/92	445/490	131/141	66.0/69.2	-10 + +60	CE
FF20A115UER	115 V a.c.	50/60	0.70/0.80	77/92	530/577	206/216	66.0/69.2	-10 + +60	CE
FF20A230UE	230 V a.c.	50/60	0.345/0.420	79/96	460/510	136/148	65.3/68.1	-10 + +60	CE
FF20A230UER	230 V a.c.	50/60	0.345/0.420	79/96	540/595	204/219	65.3/68.1	-10 + +60	CE

data with uncertainty of 15%

All specifications, data and drawing are subject to change without notice. Please refer to our terms of sales including our warranty and limited liabilities clauses.