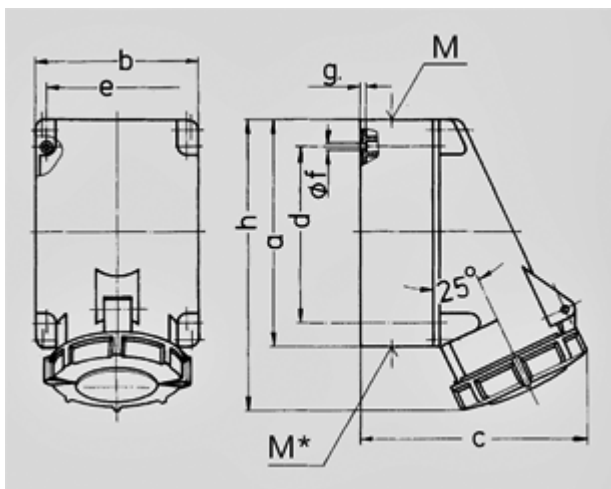


Wall mounted socket - Part no. 136A


- screw terminals
- with SoftCONTACT
- internal fixing
- one cable entry at top and two blind cable entries (can be cut out) at the bottom
- enclosure base can be turned 180°
- with 6 fixing points to accommodate special terminals
- Products with pilot contacts: Part no. + index P

Protection type	IP 67
Ampere	63A
Poles	5p
Voltage	400V
Hertz	50-60 Hz
Earth position	6h
Contact	standard
Connection technology	Screw terminals
Shutter	

Std. Pack. 5 Qty.



Drawing	Amp.	63		
		3	4	5
1 MB 112	Poles			
Dim. in mm	a	170	170	170
	b	118	118	118
	c	171	171	171
	d	134,5	134,5	134,5
	e	103	103	103
	f	6,1	6,1	6,1
	g	6	6	6
	h	216	216	216
	M	40	40	40
	M*	2xM40 (blind) to be cut out		
	Max. cable diam. (mm)	32	32	32
	Terminal for cond. cross section (mm ²) min.-max.	6	6	6
		-25	-25	-25