

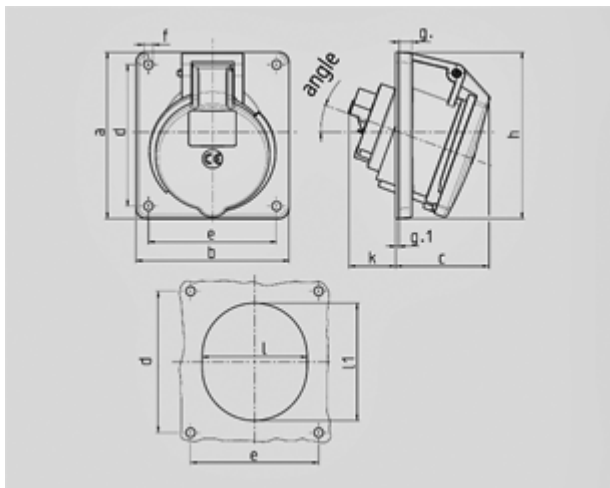
Panel mounted socket - Part no. 1463



- screw terminals
- suitable for through wiring
- 20° inclination
- 32A receptacles optional fitted with auxiliary contact

| | |
|-----------------------|-----------------|
| Protection type | IP 44 |
| Ampere | 16A |
| Poles | 3p |
| Voltage | 230V |
| Hertz | 50-60 Hz |
| Earth position | 6h |
| Contact | standard |
| Connection technology | Screw terminals |

Std. Pack. 10 Qty.



| Drawing | Amp. | 16 | | | 32 | | |
|---|--------------|---------|---------|---------|----------|----------|----------|
| | | 3 | 4 | 5 | 3 | 4 | 5 |
| 1 MB 260 | Poles | | | | | | |
| Dim. in mm | a | 73.5 | 100 | 100 | 100 | 100 | 100 |
| | b | 64 | 92 | 92 | 92 | 92 | 92 |
| | c | 50 | 59 | 58 | 62 | 62 | 61 |
| | d | 60 | 85 | 85 | 85 | 85 | 85 |
| | e | 52 | 77 | 77 | 77 | 77 | 77 |
| | f | 5.5 | 5.5 | 5.5 | 5.5 | 5.5 | 5.5 |
| | g | 7 | 8 | 8 | 8 | 8 | 8 |
| | g.1 | 2 | 2 | 2 | 2 | 2 | 2 |
| | h | 79 | 100 | 100 | 103 | 103 | 106 |
| | k | 44 | 34 | 34 | 54 | 54 | 49 |
| | l | 52 | 55 | 65 | 67 | 67 | 72 |
| | ll | 60 | 63 | 72 | 82 | 82 | 85 |
| | a | 20° | 20° | 20° | 20° | 20° | 20° |
| Terminal for cond. cross section (mm ²) min.-max. | | 1.5 — 4 | 1.5 — 4 | 1.5 — 4 | 2.5 — 10 | 2.5 — 10 | 2.5 — 10 |