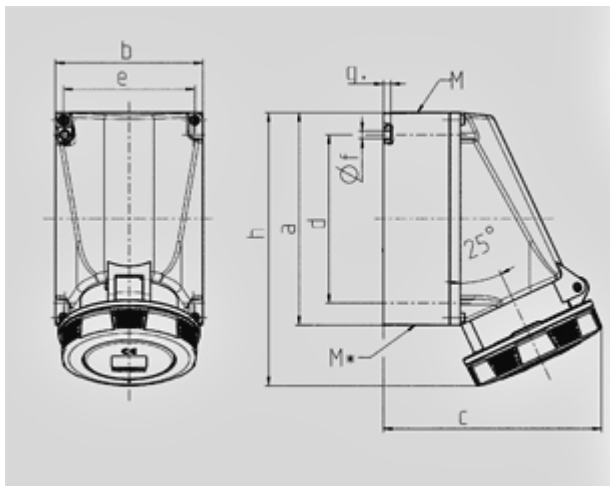


**Receptacle - Part no. 3773**


- screw terminals
- SoftCONTACT
- highly resistant to chemicals
- highly heat resistant contact carrier
- nickel plated contacts
- internal fixing
- one cable entry at top and two blind cable entries (can be cut out) at bottom
- enclosure base can be turned 180°
- with 6 blind holes for mounting special terminals if required

Protection type	67
Ampere	63 A
Poles	4p
Voltage	400
Hertz	50-60Hz
Earth position	6h
Contact	nickel plated contacts, highly heat resistant contact carrier
Connection technology	Screw terminals, SoftCONTACT

Std. Pack. 5 Qty.



Drawing	Amp.	63		
		Poles		
1 MB 112		3	4	5
Dim. in mm	a	170	170	170
	b	118	118	118
	c	175	175	175
	d	134,5	134,5	134,5
	e	103	103	103
	f	6,1	6,1	6,1
	g.	6	6	6
	h	219	219	219
	M	40	40	40
	M*	2x40 (blind) to be cut out		
Max. cable diam. (mm)		27	27	27
Terminal for cond. cross section (mm <sup>2</sup> ) min.-max.		6	6	6
		-25	-25	-25