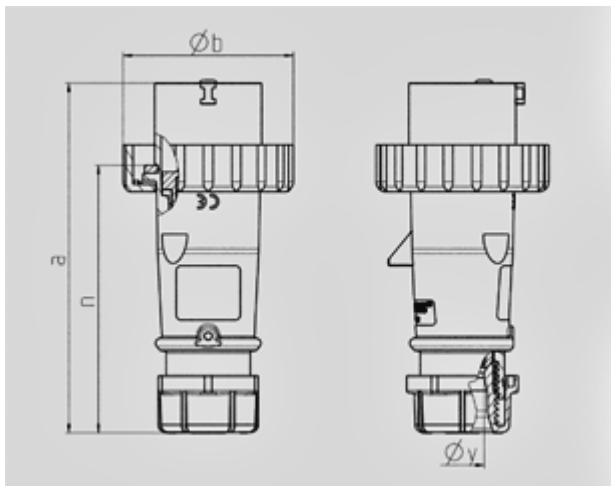


Plug AM-TOP® - Part no. 3776


- screw terminals
- highly heat resistant contact carrier
- nickel plated contacts
- single part body
- cable gland and sealing
- strain relief and protection against kinking

Protection type	67
Ampere	16 A
Poles	7p
Voltage	230
Hertz	50-60Hz
Earth position	9h
Contact	nickel plated contacts, highly heat resistant contact carrier
Connection technology	Screw terminals

Std. Pack. 10 Qty.



Drawing	Amp.	16		32	
		7		7	
2 MB 218	Poles				
Dim. in mm	a	147		180	
	b	87		101	
	n	114		138	
	y	16		22	
Terminal for cond. cross		1		2,5	
section (mm ²) min.-max.			-2,5		-6