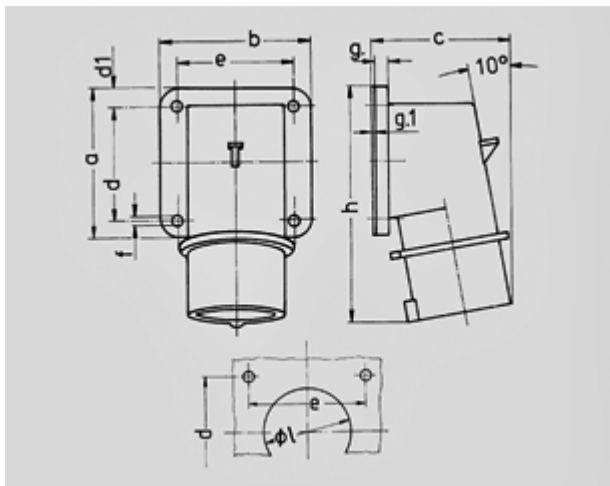


Panel mounted inlet - Part no. 381


■ screw terminals

Protection type	IP 44
Ampere	32A
Poles	3p
Voltage	230V
Hertz	50-60Hz
Earth position	6h
Contact	standard
Connection technology	Screw terminals

Std. Pack. 10 Qty.



Drawing	Amp.	16		32		
		Poles		3	4	5
2 MB 73		4	5			
Dim. in mm	a	85	85	75	75	75
	b	85	85	90	90	90
	c	75	79	87	87	90
	d	64	64	45	45	45
	d1	10	10	13	13	13
	e	64	64	78	78	78
	f	5,5	5,5	5,5	5,5	5,5
	g.	6	6	6	6	6
	g.1	2	2	2	2	2
	h	129	129	137	137	138
	l	50	50	55	55	55
Terminal for cond. cross section (mm ²) min.-max.		1	1	2,5	2,5	2,5
		-2,5	-2,5	-6	-6	-6