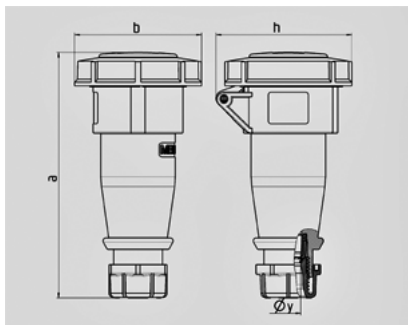


Connector AM-TOP® - Part no. 3916


- screw terminals
- with highly heat resistant contact carrier
- nickel plated contacts
- single part body
- cable gland and sealing
- strain relief and protection against kinking

Technical information

Ampere	16 A
Poles	7p
Voltage	400V
Earth position	6 h
Hertz	50-60 Hz
Connection technology	Screw terminals
Contact	nickel plated contacts, highly heat resistant contact carrier
Protection type	IP 67



Drawing 3 MB 62	Amp. Poles	16		32	
		7	7	7	7
Dim. in mm	a	172		213	
	b	89		102	
	h	95		105	
	y	16		22	
Terminal for cond. cross		1		2,5	
section (mm²) min.-max.		—2,5		—6	