

Wall mounted receptacle - Part no. 7148RCBO


- RCBO Protected DP 30mA

Protection type IP 67

Ampere 16A

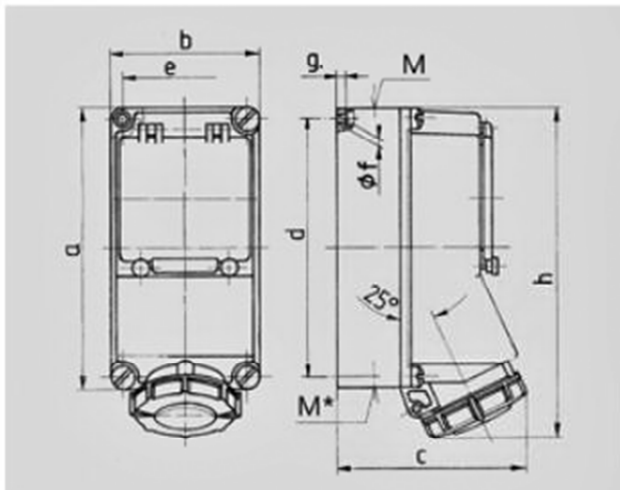
Poles 3p

Voltage 230V

Hertz 50-60 Hz

Earth position 6h

Connection technology Screw terminals



Drawing 1 MB 378	Amp. Poles	16			32	
		3	4	5	4	5
Dim. in mm	a	225	225	225	225	225
	b	118	118	118	118	118
	c	144	146	147	152	153
	d	208	208	208	208	208
	e	101	101	101	101	101
	f	6,3	6,3	6,3	6,3	6,3
	g	8	8	8	8	8
	h	252	255	259	268	274
	M	1x25 and 1x32			1x25 and 1x32	
	M*	2x25	2x25	2x25	2x25	2x25
Max. cable diam. (mm)		25	25	25	25	25
Terminal for cond. cross section (mm ²) min.-max.		1,5	1,5	1,5	2,5	2,5
		-4	-4	-4	-10	-10