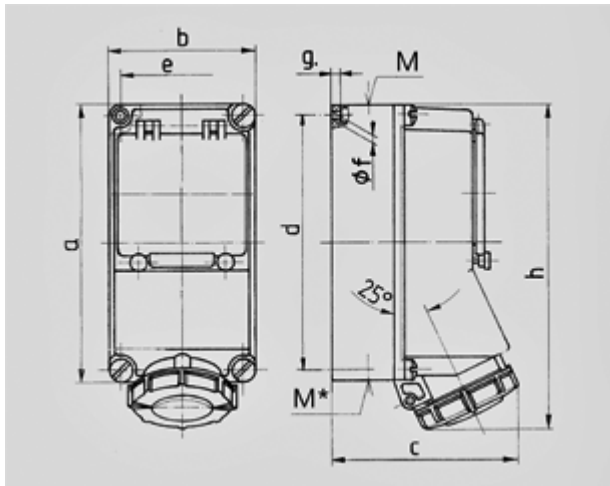


**Wall mounted receptacle - Part no. 7152**


- screw terminals
- fused with RCD (0.03A)
- other leakage current ratings on request

Protection type	IP 67
Ampere	32A
Poles	5p
Voltage	400V
Hertz	50-60Hz
Earth position	6h
Contact	standard
Connection technology	Screw terminals

Std. Pack. 1 Qty.



Drawing	Amp.	16			32	
		Poles			4	5
1 MB 378		3	4	5	4	5
Dim. in mm	a	225	225	225	225	225
	b	118	118	118	118	118
	c	144	146	147	152	153
	d	208	208	208	208	208
	e	101	101	101	101	101
	f	6,3	6,3	6,3	6,3	6,3
	g	8	8	8	8	8
	h	252	255	259	268	274
	M	1x25 and 1x32			1x25 and 1x32	
	M*	2x25	2x25	2x25	2x25	2x25
Max. cable diam. (mm)		25	25	25	25	25
Terminal for cond. cross section (mm <sup>2</sup> ) min.-max.		1,5	1,5	1,5	2,5	2,5
		-4	-4	-4	-10	-10