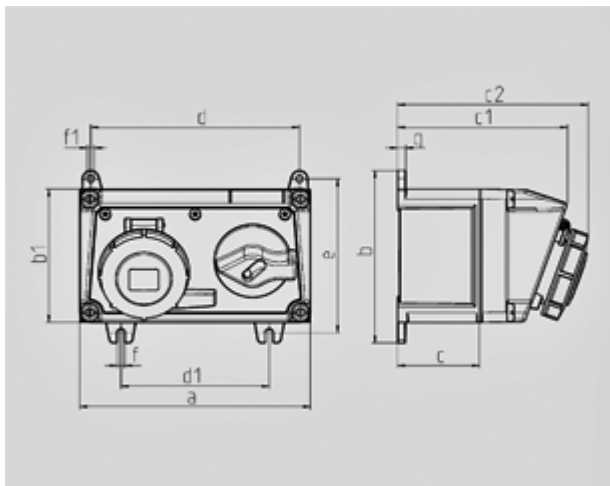


Wall mounted receptacle - Part no. 7626


- screw terminals
- for horizontal installation
- switched
- mechanical DUO-interlock
- receptacles can be padlocked

| | |
|-----------------------|-----------------|
| Protection type | IP 67 |
| Ampere | 16A |
| Poles | 5p |
| Voltage | 400V |
| Hertz | 50-60 Hz |
| Earth position | 6h |
| Contact | standard |
| Connection technology | Screw terminals |

Std. Pack. 1 Qty.



| Drawing | Amp. | 16 | | | 32 | | |
|------------|-------|-----|-----|-----|-----|-----|-----|
| | | 3 | 4 | 5 | 3 | 4 | 5 |
| 1 MB 551 | Poles | | | | | | |
| Dim. in mm | a | 225 | 225 | 225 | 225 | 225 | 225 |
| | b | 168 | 168 | 168 | 168 | 168 | 168 |
| | b1 | 130 | 130 | 130 | 130 | 130 | 130 |
| | c | 80 | 80 | 80 | 80 | 80 | 80 |
| | c1 | 166 | 166 | 166 | 166 | 166 | 166 |
| | c2 | 182 | 185 | 186 | 197 | 197 | 198 |
| | d | 204 | 204 | 204 | 204 | 204 | 204 |
| | d1 | 145 | 145 | 145 | 145 | 145 | 145 |
| | e | 150 | 150 | 150 | 150 | 150 | 150 |
| | f | 7 | 7 | 7 | 7 | 7 | 7 |
| | f1 | Ø7 | Ø7 | Ø7 | Ø7 | Ø7 | Ø7 |
| | g | 8 | 8 | 8 | 8 | 8 | 8 |