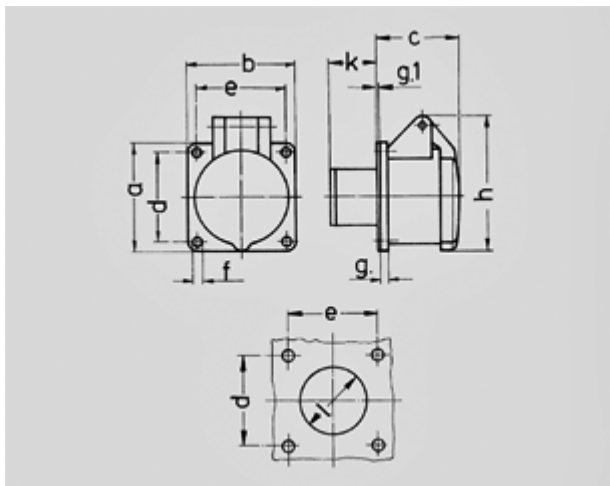


Panel mounted socket - Part no. 603


- screw terminals
- straight

Protection type	IP 44
Ampere	16 A
Poles	2p
Voltage	20-25
Hertz	50-60Hz
Earth position	0h
Contact	standard
Connection technology	Screw terminals

Std. Pack. 10 Qty.



Drawing	Amp.	16		32	
		Poles		2	3
1 MB 136					
Dim. in mm	a	55	55	55	55
	b	55	55	55	55
	c	44	44	44	44
	d	45	45	45	45
	e	45	45	45	45
	f	4,2	4,2	4,2	4,2
	g.	8	8	8	8
	g.1	2	2	2	2
	h	67	67	67	67
	k	22	22	22	22
	l	34	34	34	34
Terminal for cond. cross section (mm ²) min.-max.		4	4	4	4
		-10	-10	-10	-10