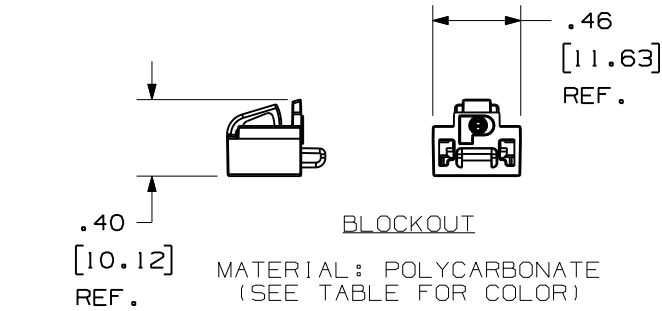
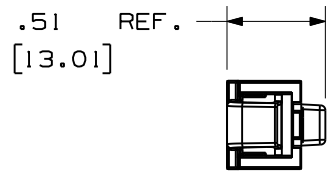


THIS COPY IS PROVIDED ON A RESTRICTED BASIS AND IS NOT TO BE USED IN ANY WAY DETRIMENTAL TO THE INTERESTS OF PANDUIT CORP.

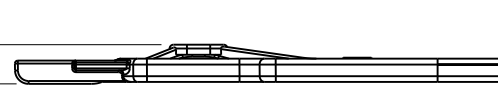
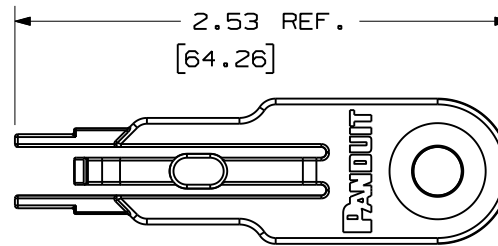
NOTES:

1. DIMENSION IN [] ARE IN MILLIMETERS.

PART NUMBER	BLOCKOUT COLOR	BLOCKOUT/ PKG.	KEY/ PKG.	CTN QTY.
PSL-DCJB	RED	10	1	20
PSL-DCJB-C	RED	100	5	10
PSL-DCJB-BL	BLACK	10	1	20
PSL-DCJB-BL-C	BLACK	100	5	10
PSL-DCJB-BU	BLUE	10	1	20
PSL-DCJB-BU-C	BLUE	100	5	10
PSL-DCJB-IW	INTERNATIONAL WHITE	10	1	20
PSL-DCJB-IW-C	INTERNATIONAL WHITE	100	5	10
PSL-DCJB-YL	YELLOW	10	1	20
PSL-DCJB-YL-C	YELLOW	100	5	10
PSL-DCJB-GR	GREEN	10	1	20
PSL-DCJB-GR-C	GREEN	100	5	10
PSL-DCJB-OR	ORANGE	10	1	20
PSL-DCJB-OR-C	ORANGE	100	5	10
PSL-DCJB-IG	INTERNATIONAL GRAY	10	1	20
PSL-DCJB-IG-C	INTERNATIONAL GRAY	100	5	10



MATERIAL: POLYCARBONATE
(SEE TABLE FOR COLOR)



MATERIAL: BLACK NYLON

CAD FILENAME/LAYERS 100619CP_DC_C10380/03D

PANDUIT CORP. TINLEY PARK, ILLINOIS

PSL-DCJB - *
JACK MODULE BLOCKOUT

UNLESS OTHERWISE SPECIFIED,
DIMENSIONAL TOLERANCES ARE:
(.X) ± .06 | (.52) | (.XXX) ± .010 | (.254) |
(.XX) ± .03 | (.76) | ANGLES ± 5°

UNLESS OTHERWISE SPECIFIED,
ALL DIMENSIONS ARE GIVEN
IN INCHES, THIRD ANGLE PROJECTION.

REV	DATE	BY	CHK	DESCRIPTION	ECN	R	CUST	SUP
4	2/18/10	JHAC		ADD NEW P/N TO TABLE.	5979	R		
3	4/21/08	RVU		ADD NEW TABLE WITH NEW P/N.	5401	R		
2	12-6-06	RVU	DWY	CHANGED THE GEOMETRY OF THE BLOCKOUT KEY.	4788	R		
1	9-16-05	RVU	DWY	DRAWING RELEASE	4173	R		
A	9-15-05	RVU	DWY	ENGINEERING RELEASE	0000	R		

DRAWN BY
RVU
DATE
9-15-05
CHK'D

MAT'L;
SEE BLOCKOUT
AND KEY

SCALE
NTS
DRAWING NO.
C10380
DWG
A
SIZE