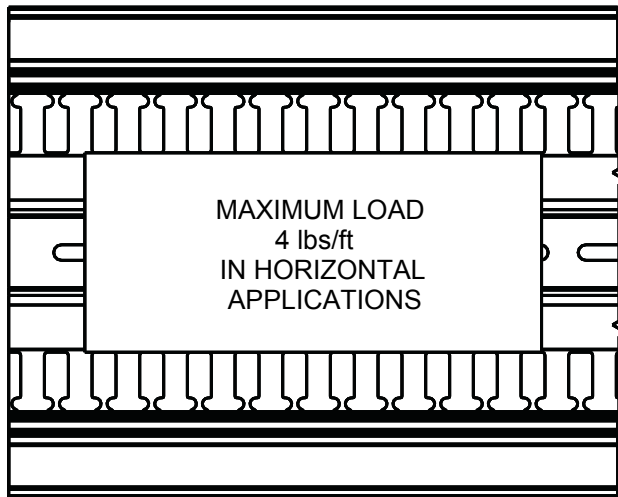


### Component Weight and Temperature Compatibility

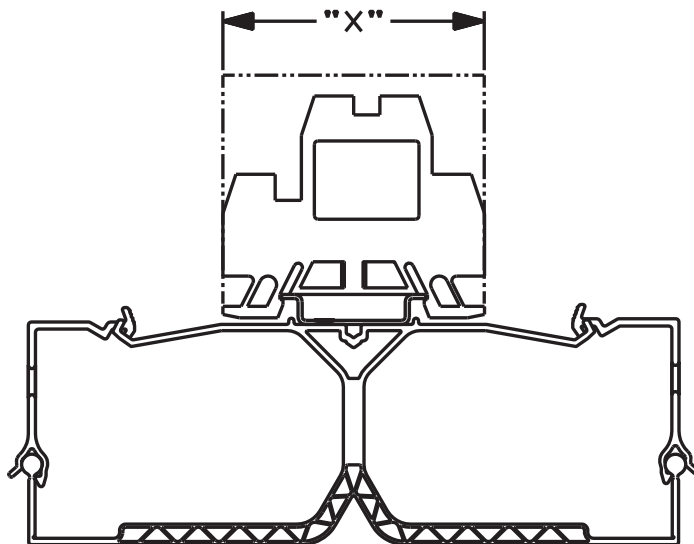


DIN Rail Wiring Duct is designed for use up to but not exceeding the UL recognized continuous use temperature, **50°C (122°F)**. Prolonged exposure to higher temperatures is not recommended and can damage product.



Do not mount heat-generating components such as drives or power supplies to DIN Rail Wiring Duct.

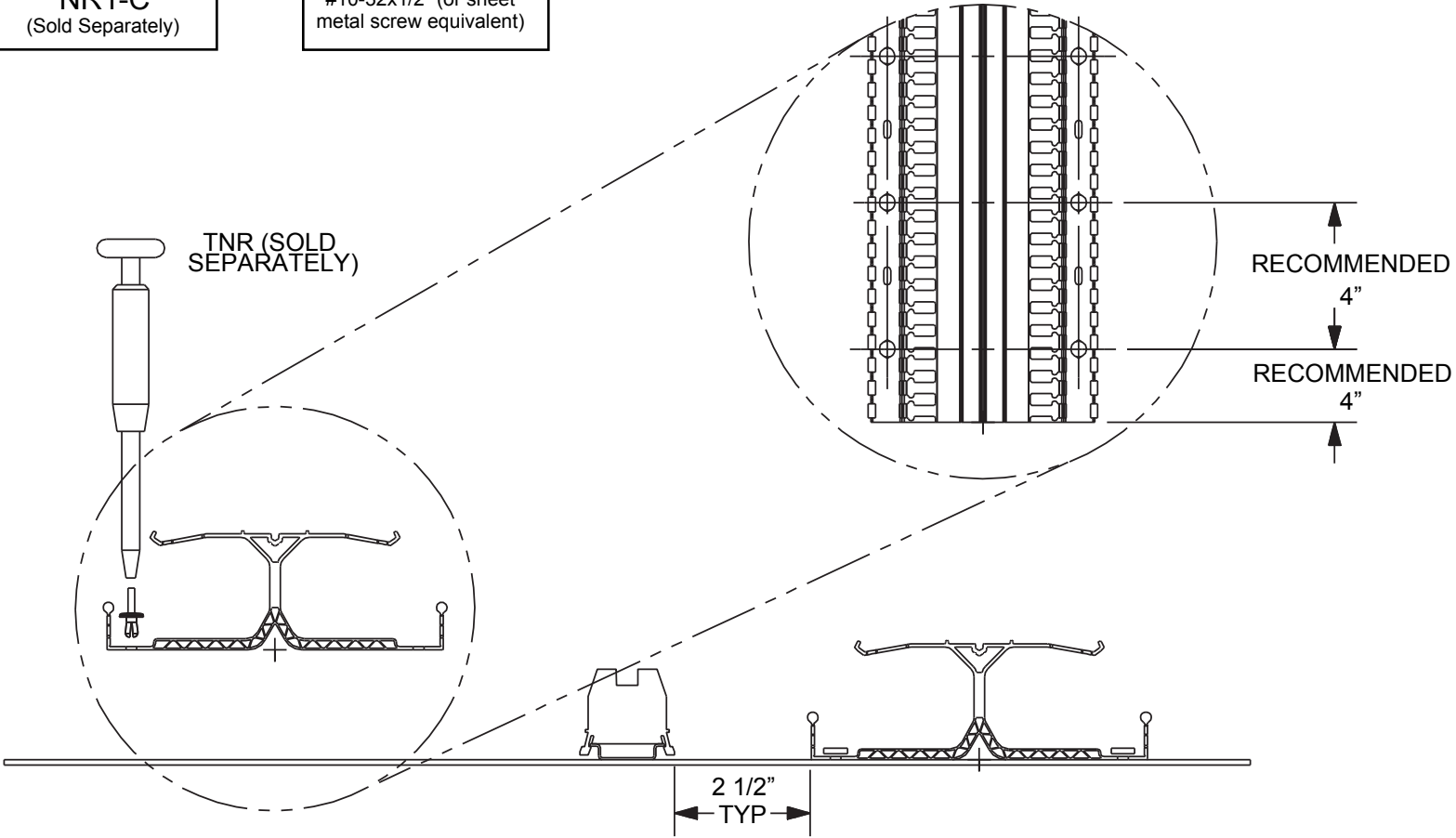
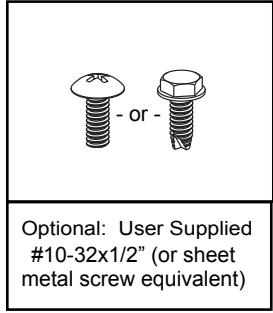
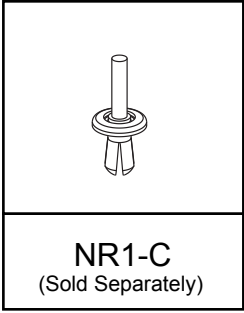
### Component Width Compatibility



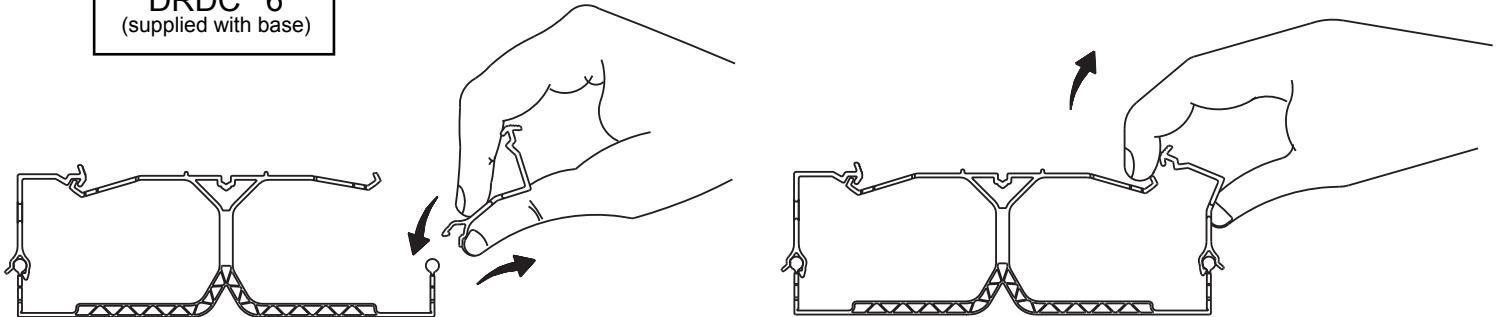
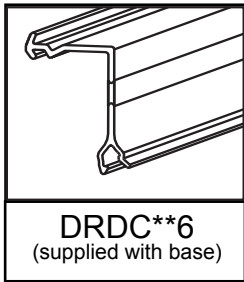
DIN Rail Wiring Duct	Recommended Maximum Component Width "X"
DRD22**6	2 5/8"
DRD33**6	2 5/8"
DRD44**6	3 5/8"

Component use within recommended maximum width ensures top wire slots are fully accessible.

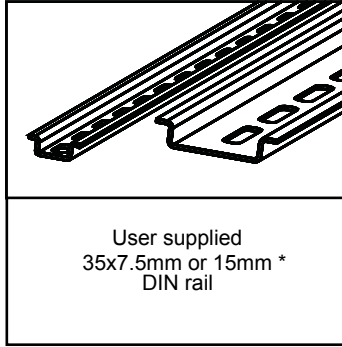
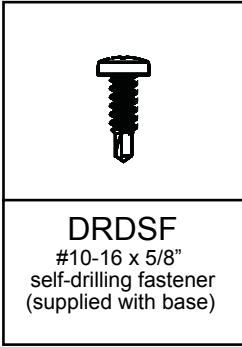
**DIN Rail Wiring Duct Installation and Fastener Spacing**



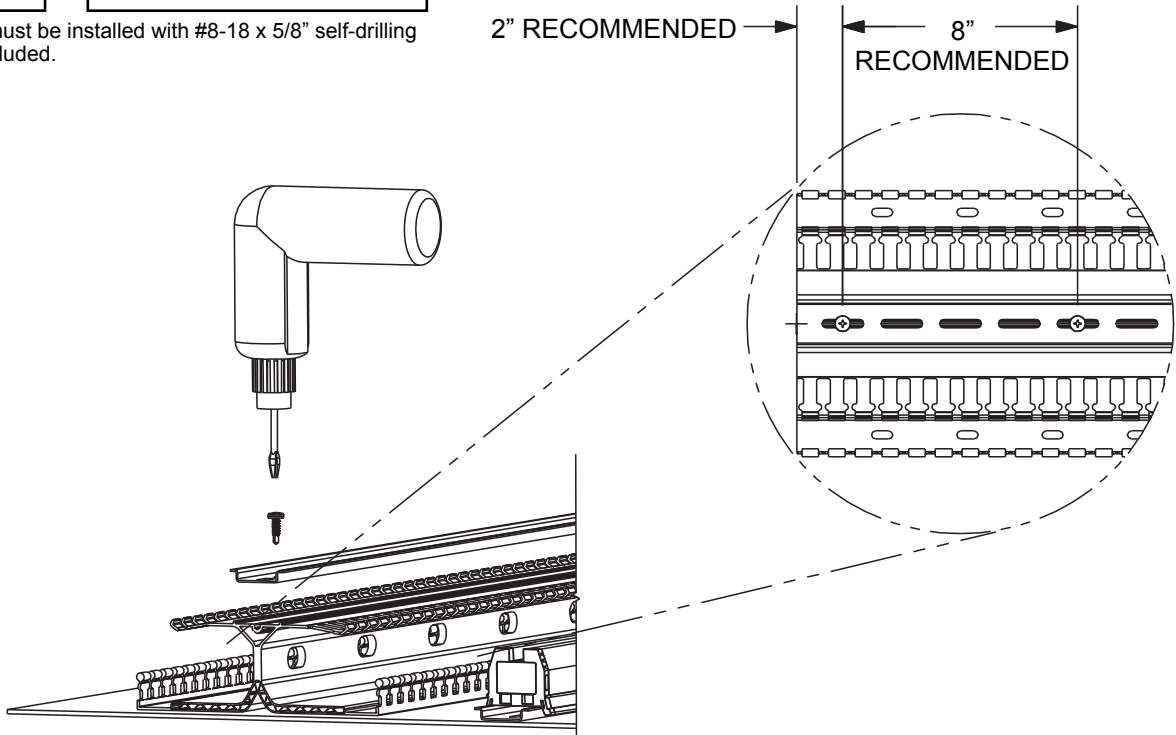
**Cover Installation, Operation, and Removal**



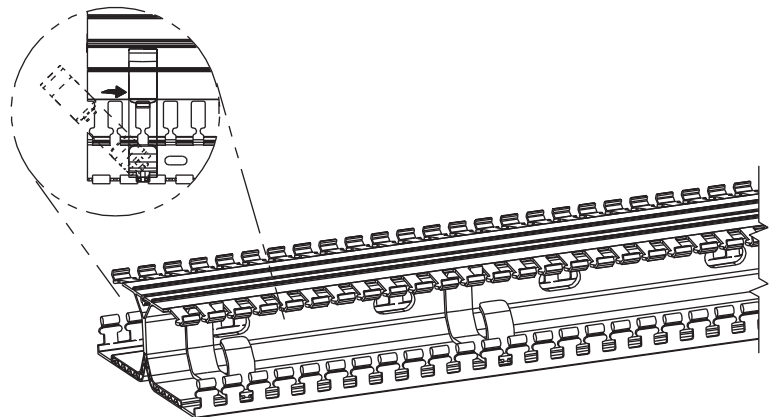
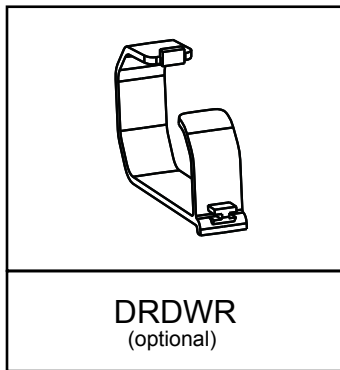
### Installing Rail to DIN Rail Wiring Duct



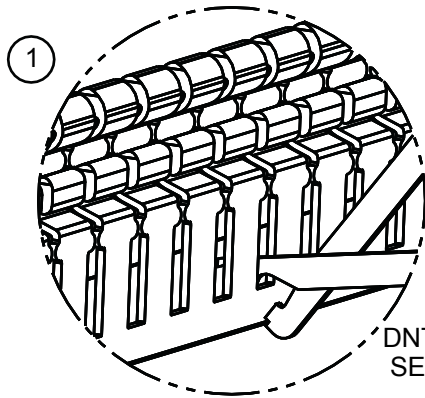
\* 15mm DIN rail must be installed with #8-18 x 5/8" self-drilling fastener, not included.



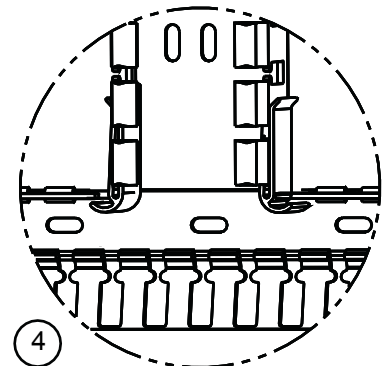
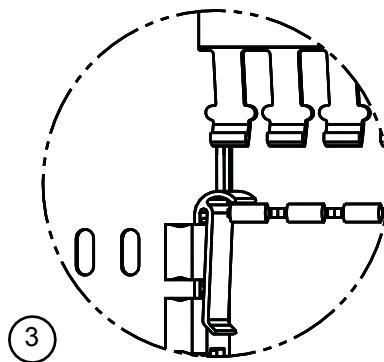
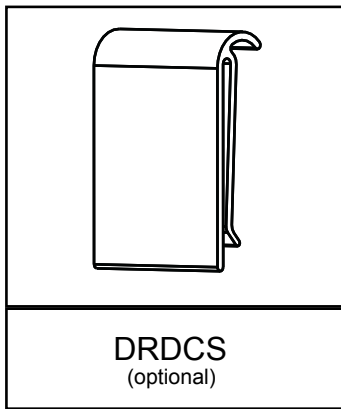
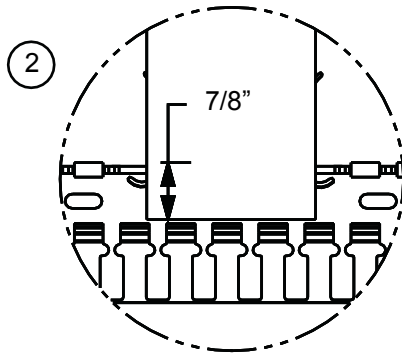
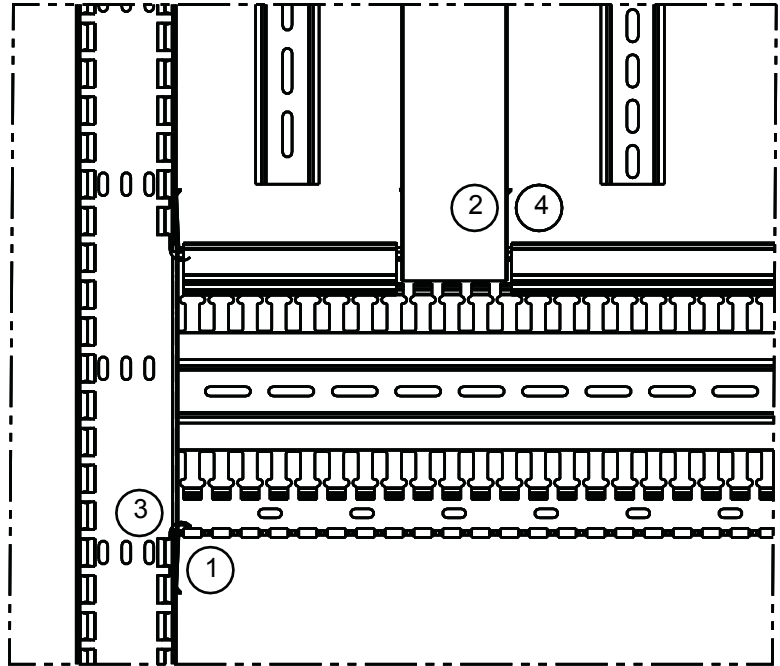
### Optional Wire Retainer



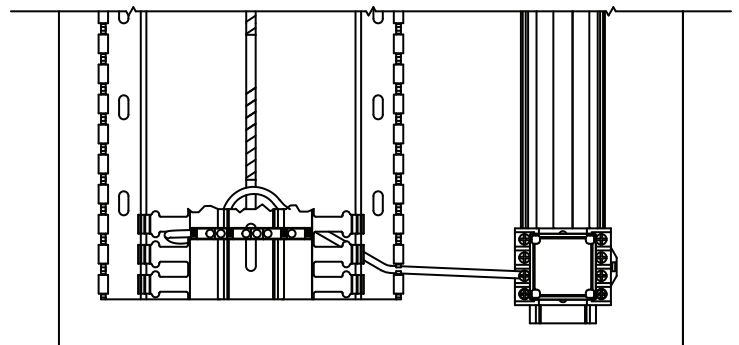
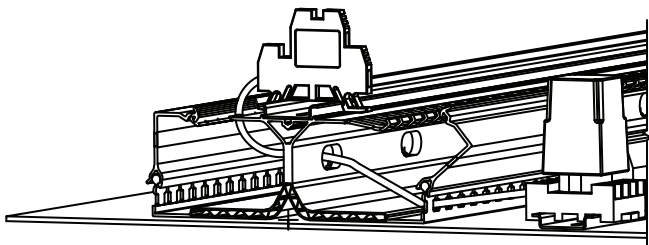
**Transitions to Conventional Wiring Duct and Optional Corner Strip**



DNT-100 (SOLD SEPARATELY)



**Utilizing Pass Through Holes to Shorten Wiring Path**



<p>For Instructions in Local Languages and Technical Support: <a href="http://www.panduit.com/resources/install_maintain.asp">www.panduit.com/resources/install_maintain.asp</a></p>	 <a href="http://www.panduit.com">www.panduit.com</a>	<p>E-mail: <a href="mailto:techsupport@panduit.com">techsupport@panduit.com</a>          Fax: 866-405-6654</p>
--	---	--