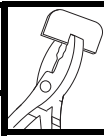
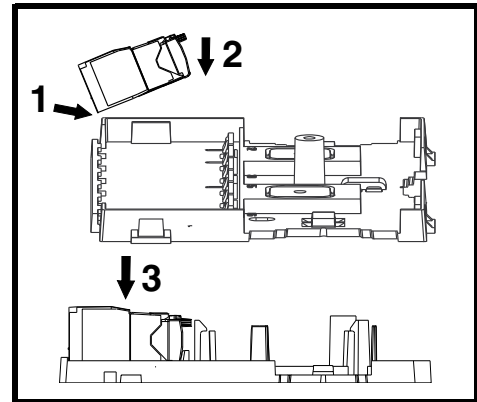




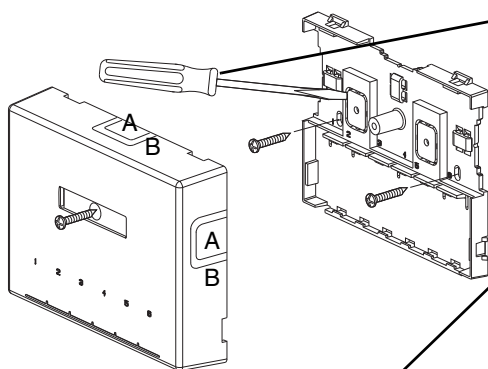
PART NO.	RACEWAY	BREAK OUT
CBXJ2**-A	LDP3/LD3 LDP5/LD5	A
CBXC4**-A	LDP3/LD3	A
CBX6**-AY	LDP5/LD5	B
CBX12**-AY	LDP5/LD5	A
	LDP10/LD10	B
CBXD6**-AY	LDP3/LD3	A
	LDP5/LD5	B
	LDP10/LD10	C



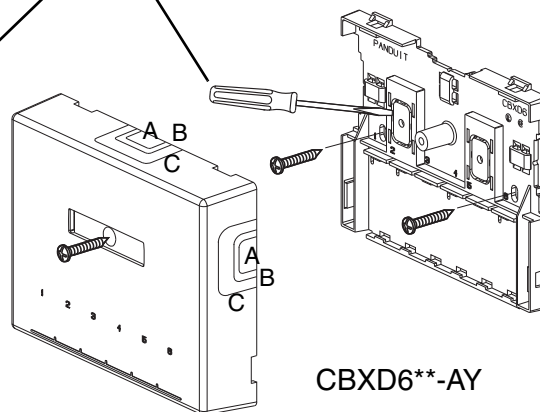
HOW TO MOUNT THE Mini-Com MODULES



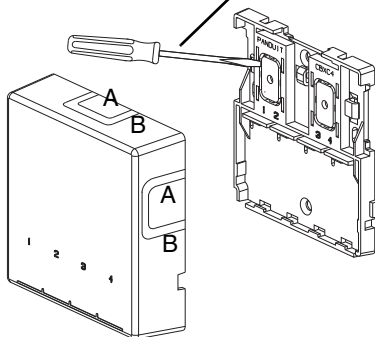
IF RUNNING CABLE THROUGH WALL, REMOVE BREAKOUTS BEFORE MOUNTING TO WALL



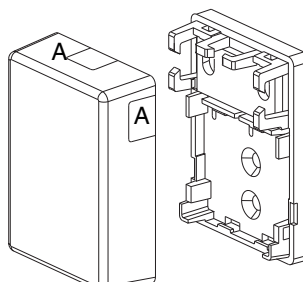
CBX6**-AY



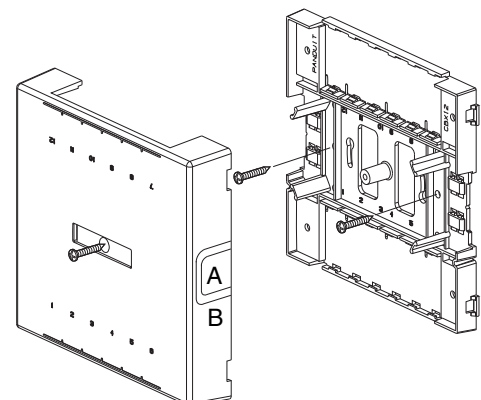
CBXD6**-AY



CBXC4**-A



CBXJ2**-AY

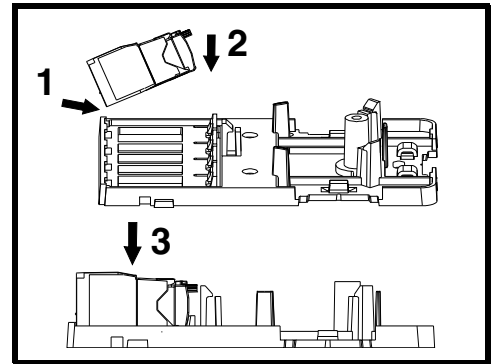


CBX12**-AY

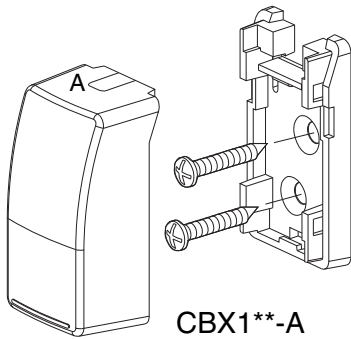
** Denotes color.

PART NO.	RACEWAY	BREAK OUT
CBX1**-A	LDP3/LD3	A
CBX2**-AY	LDP3/LD3	A
CBX4**-AY	LDP5/LD5	B
CBXF6**-AY	LDP5/LD5	A
CBXF12**-AY	LDP10/LD10	B

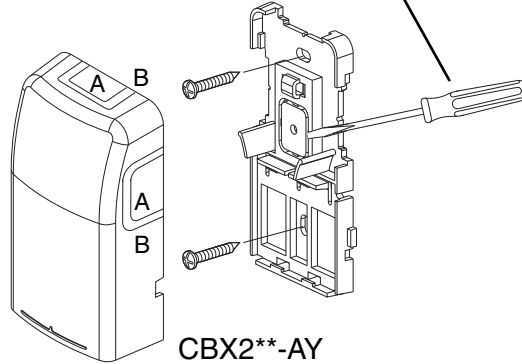
HOW TO MOUNT THE Mini-Com MODULES



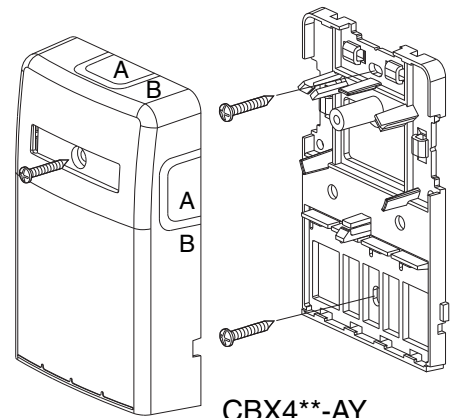
IF RUNNING CABLE THROUGH WALL, REMOVE BREAKOUT BEFORE MOUNTING TO WALL



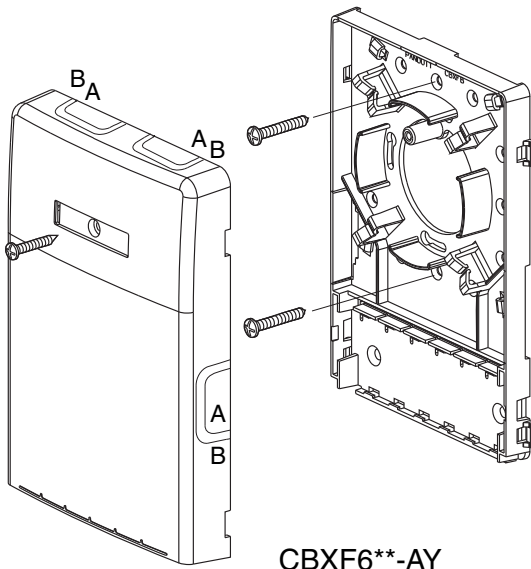
CBX1**-A



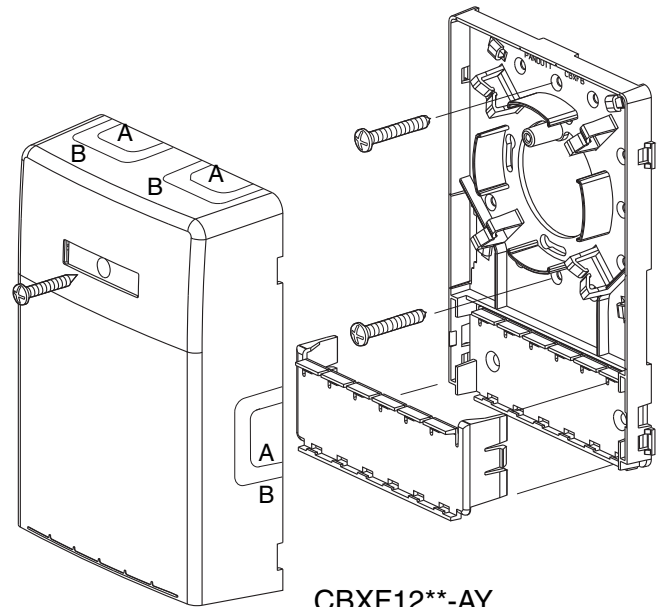
CBX2**-AY



CBX4**-AY



CBXF6**-AY



CBXF12**-AY

Fiber Installation Tips:

Maintain 30mm minimum bend radius.
 Spool 1 meter minimum buffered fiber.

For Instructions in Local Languages
 and Technical Support:

www.panduit.com/resources/install_maintain.asp



www.panduit.com

E-mail:
cs@panduit.com

Fax:
 (708) 444-6993