

140G-G-F ____, 140G-H-F ____, 140G-I-F ____, 140G-J-F ____, 140G-K-F ____

Installation instruction for Flex Cable Operator for 140G-G through K

Istruzioni di installazione

Installationsanleitung

Instructions pour l'installation

Instrucciones de instalación



**Installation - Installazione - Instalación
Instalação - 取付け方法 - 安装**

WARNING: To prevent electrical shock, disconnect from power source before installing or servicing. Install in suitable enclosure. Keep free from contaminants. (Follow NFPA70E requirements).

AVVERTENZA: Per prevenire infortuni, togliere tensione prima dell'installazione o manutenzione. Installare in custodia idonea. Tenere lontano da contaminanti. (Seguire i requisiti NFPA70E).

WARNUNG: Vor Installations- oder Servicearbeiten Stromversorgung zur Vermeidung von elektrischen Unfällen trennen. Die Geräte müssen in einem passenden Gehäuse eingebaut und gegen Verschmutzung geschützt werden. (Befolgen Sie die Anforderungen nach NFPA70E).

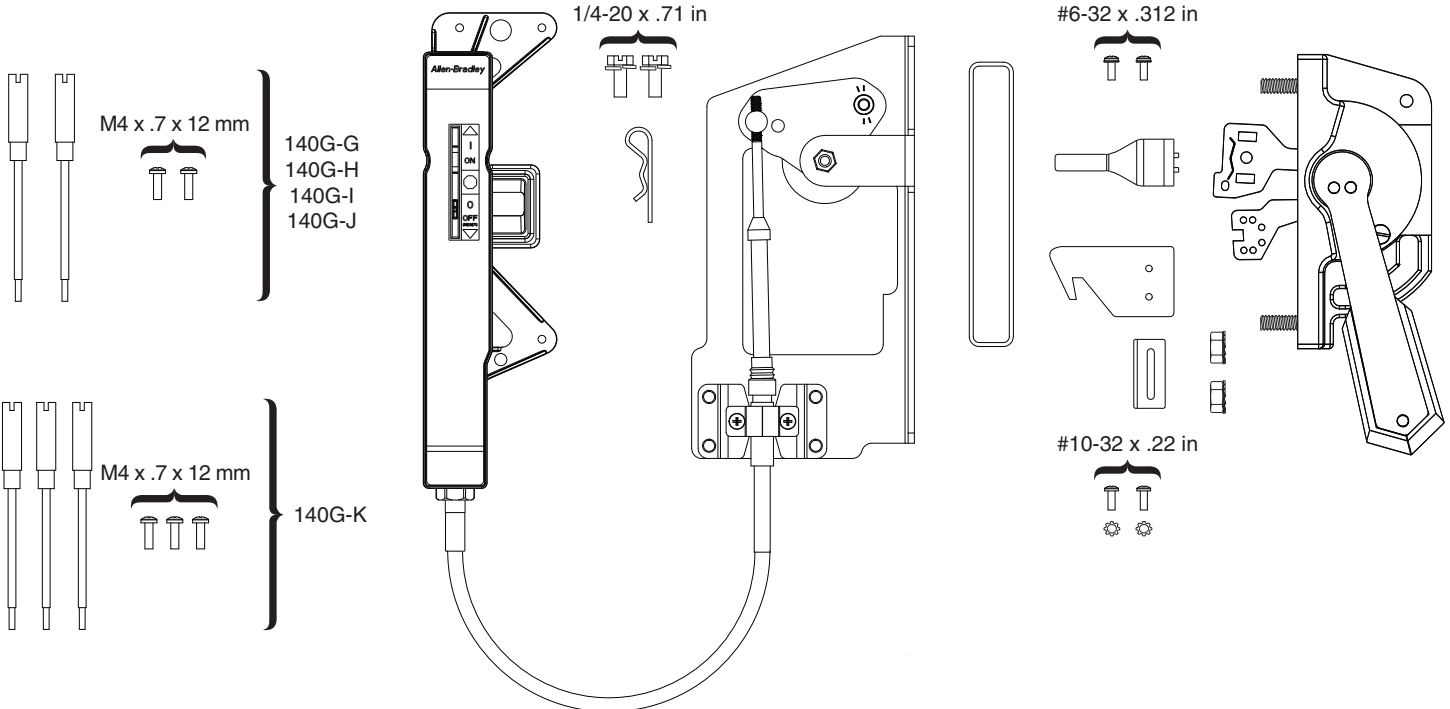
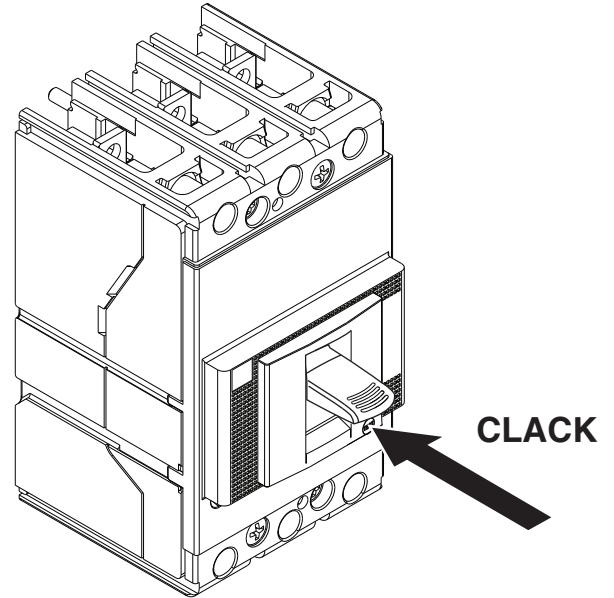
AVERTISSEMENT: Avant le montage et la mise en service, couper l'alimentation secteur pour éviter toute décharge. Prévoir une mise en coffret ou armoire appropriée. Protéger le produit contre les environnements agressifs. (Vous devez respecter la norme NFPA70E).

ADVERTENCIA: Desconéctese de la corriente eléctrica, antes de la instalación o del servicio, a fin de impedir sacudidas eléctricas. Instálo en una caja apropiada. Manténgalo libre de contaminantes. (Cumpla con los requisitos NFPA70E).

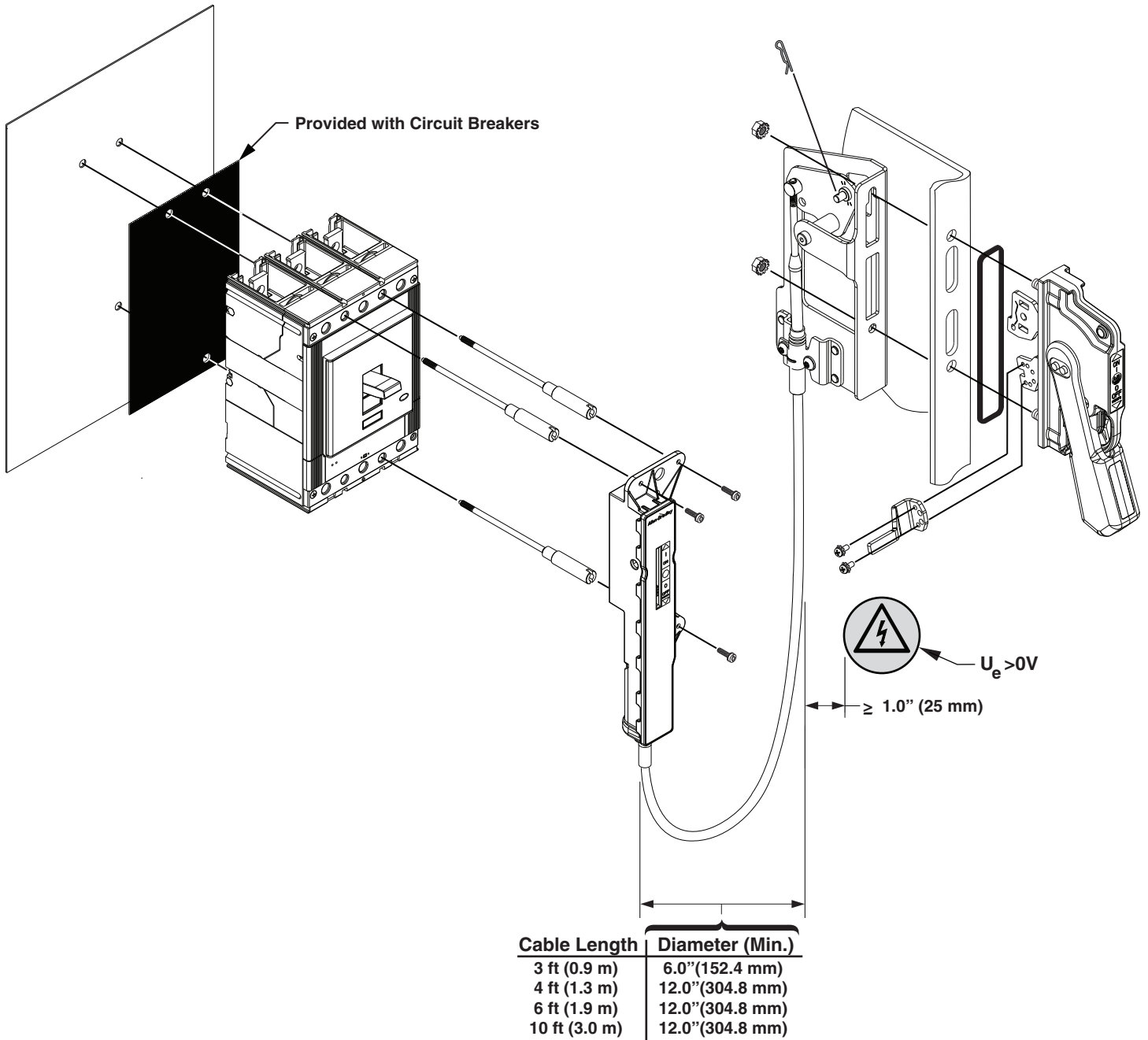
ATENÇÃO: Para evitar choques, desconectar da corrente elétrica antes de fazer a instalação ou a manutenção. Instalar em caixa apropriada. Manter livre de contaminantes. (Cumpra as exigências da norma NFPA70E).

警告: 感電事故防止のため、取付けまたは修理の際は電源から取り外してください。適切なケース内に取付けてください。また汚染物質がないことを確認してください。(NFPA70Eの要件に従ってください)

警告: 为了防止触电，在安装或维修之前必须先切断电源。安装在合适的设备箱内。防止接触污染物。(符合NFPA70E要求)

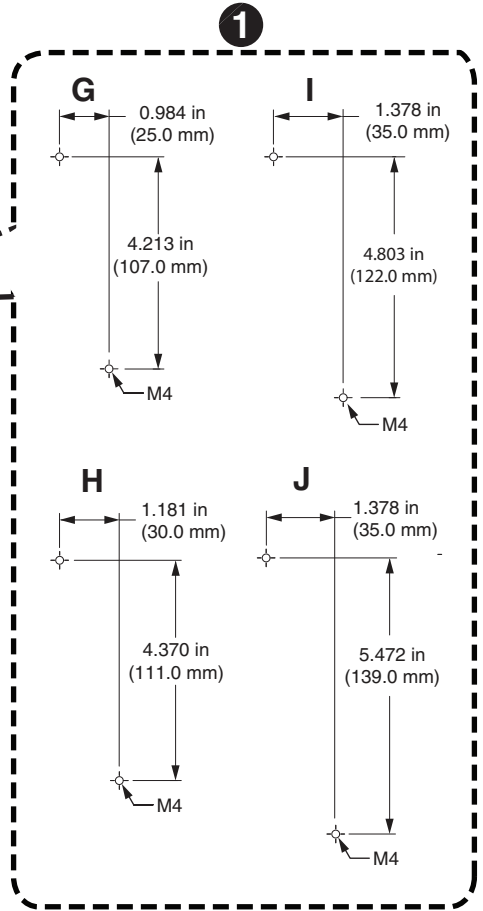
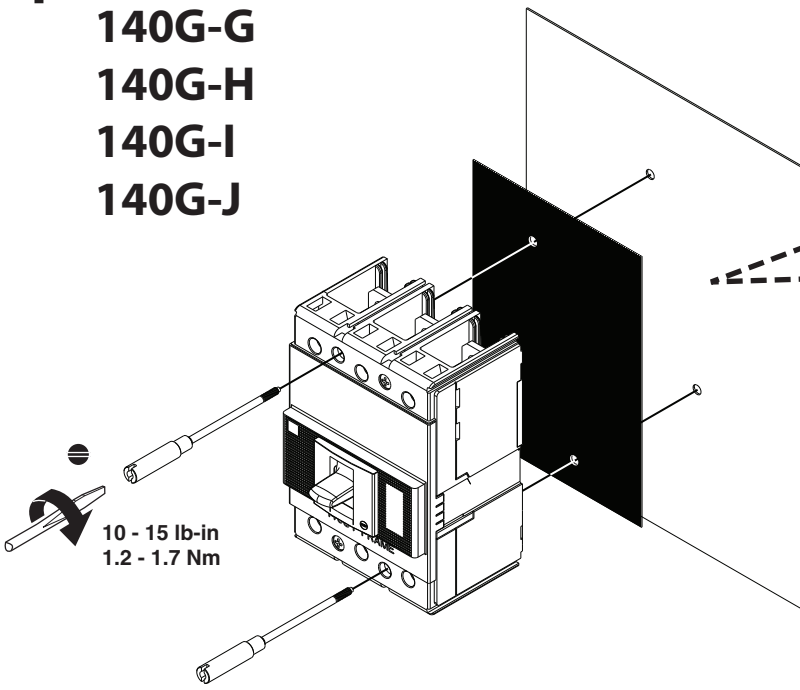


140G-K Shown

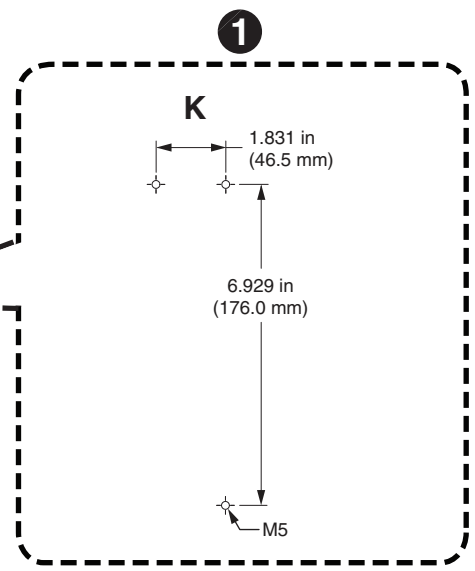
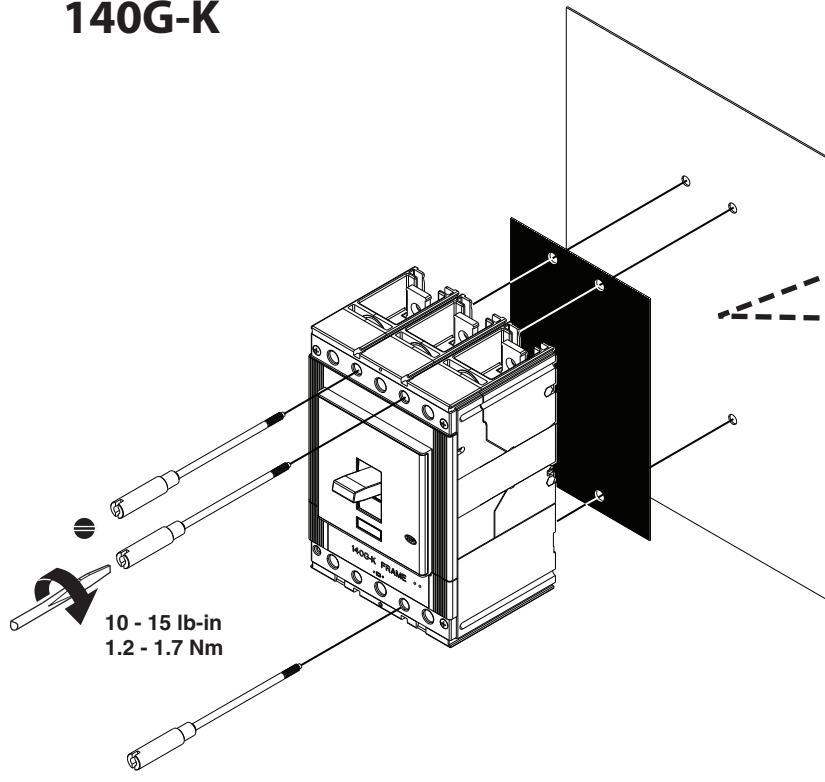


1

140G-G
140G-H
140G-I
140G-J

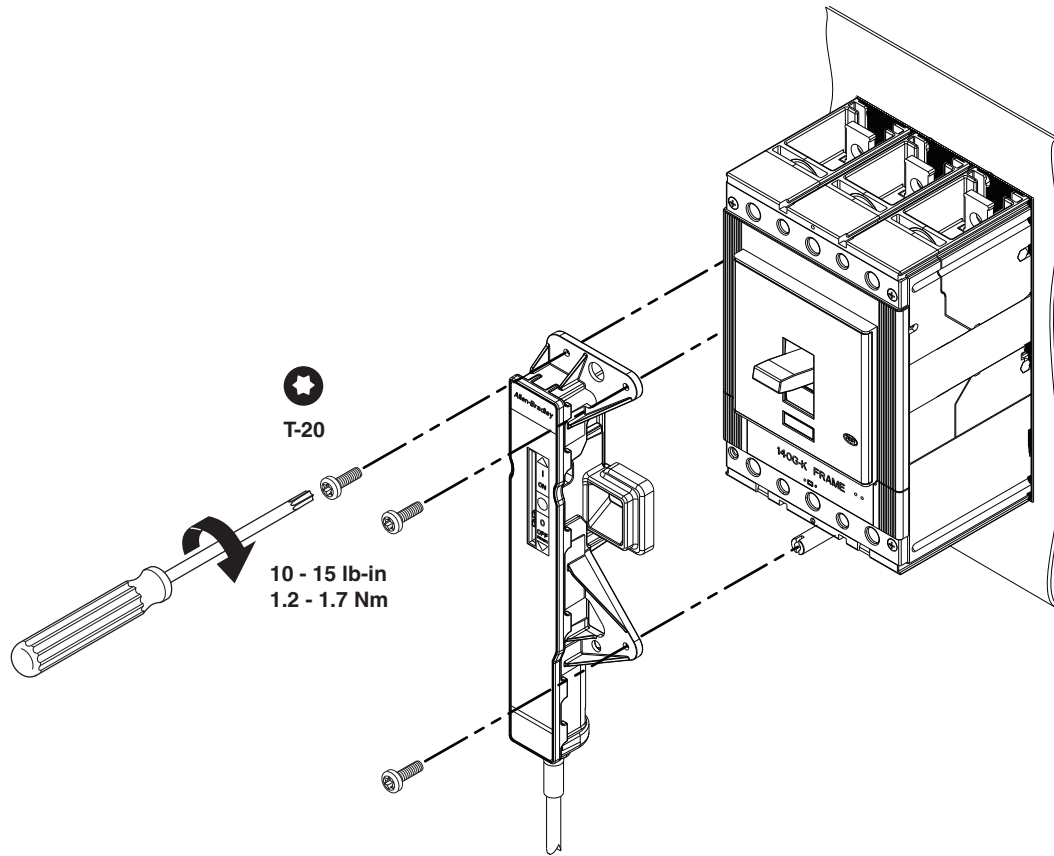


140G-K

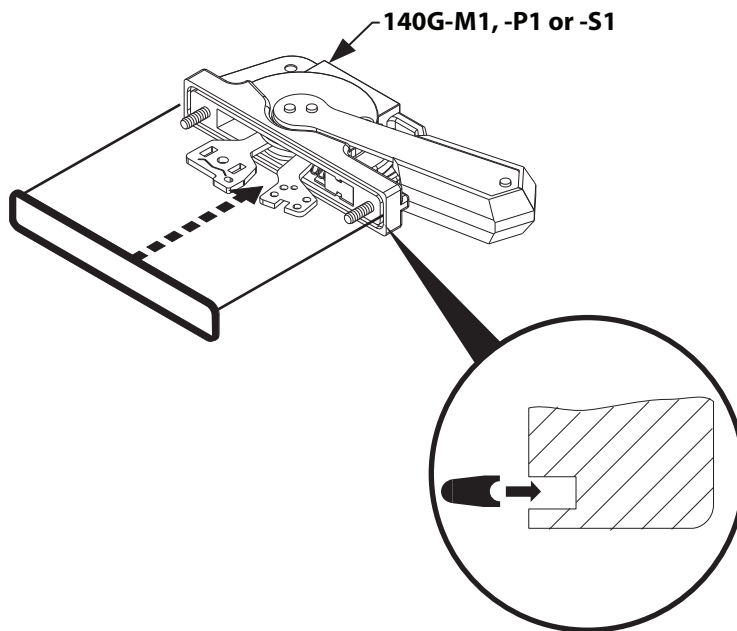


2

140G-K Shown



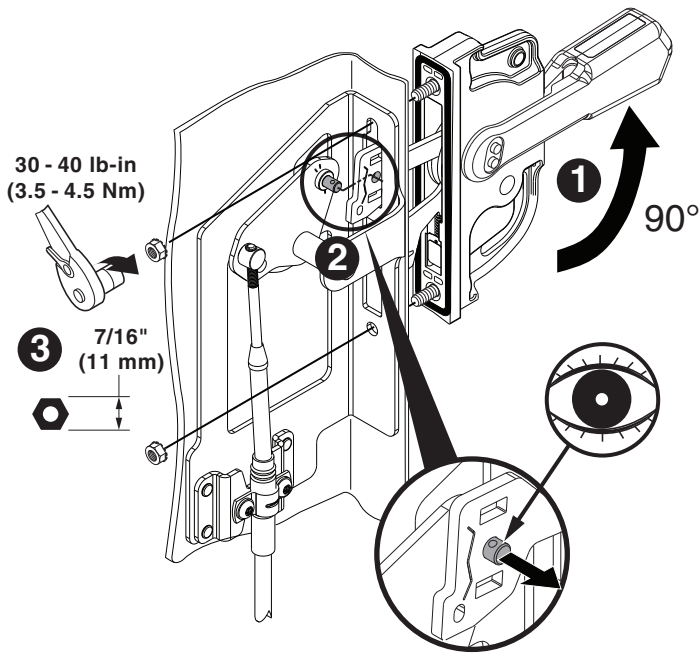
3



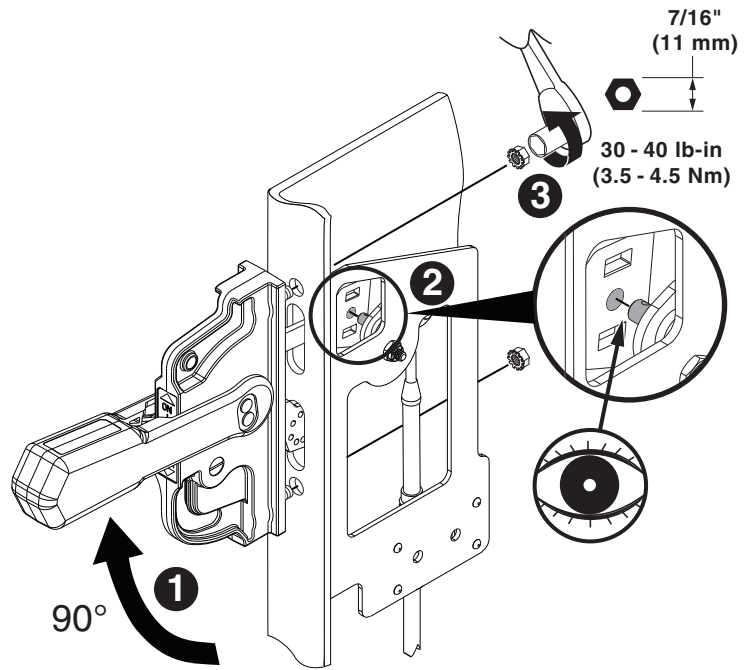
4

140G-K Shown

Enclosures with Right Hand Flange



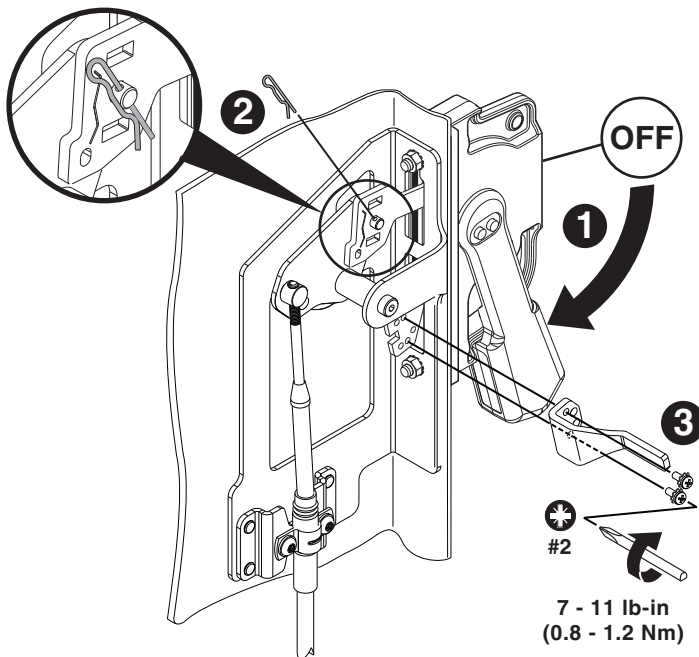
Enclosures with Left Hand Flange



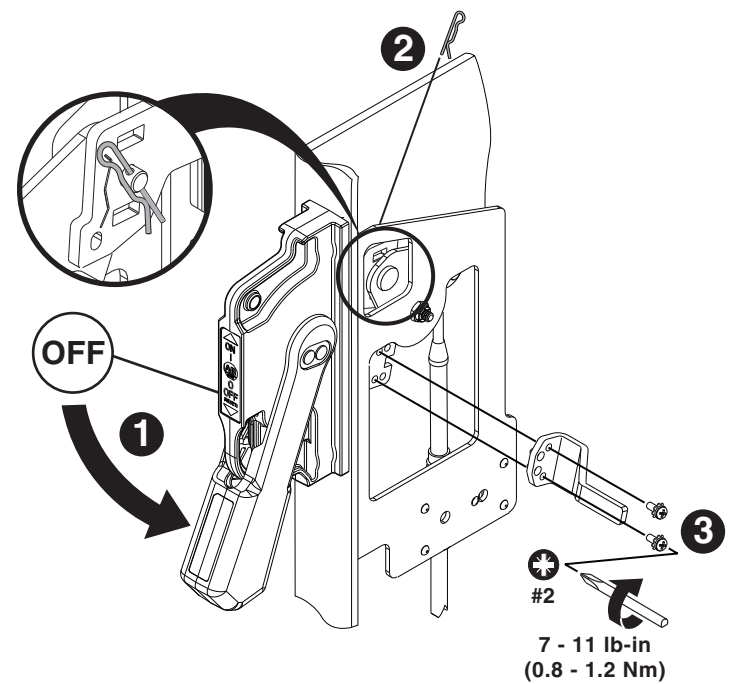
5

140G-K Shown

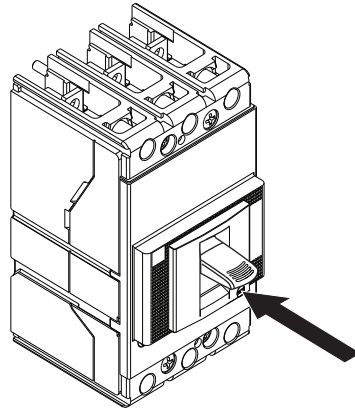
Enclosures with Right Hand Flange



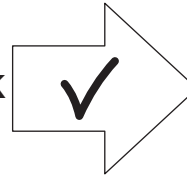
Enclosures with Left Hand Flange



1 - Trip Breaker

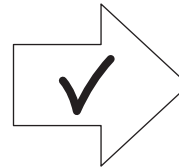
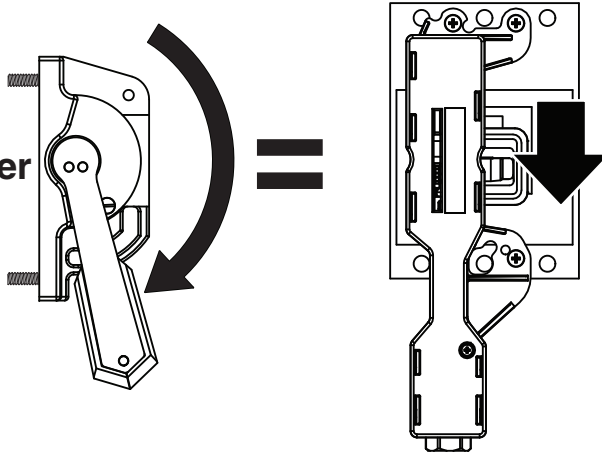


CLACK

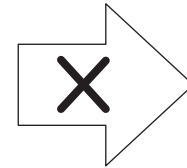


OK!

2 - Reset Breaker



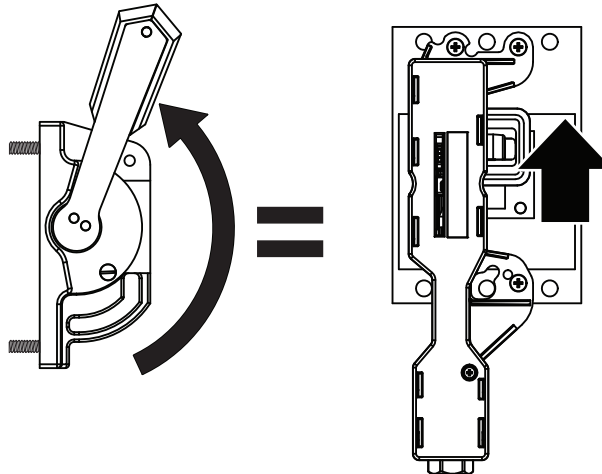
OK!



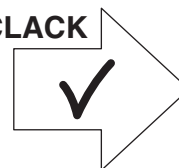
NO!

See figure A
Vedi figura A
Siehe Abb. A
Voir figure A
Véase figura A

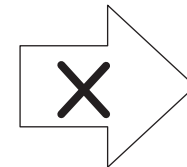
3 - Breaker On



CLACK



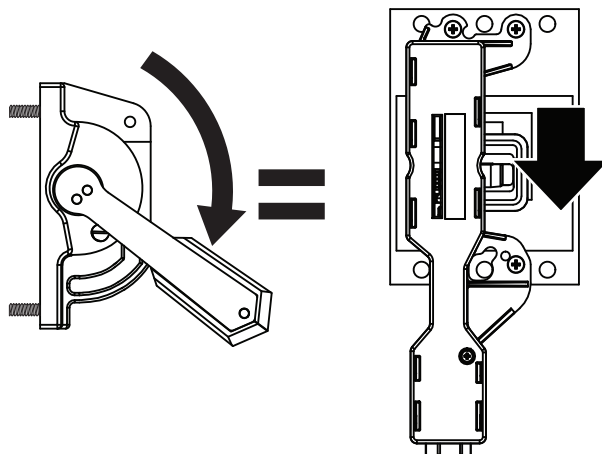
OK!



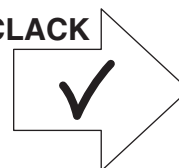
NO!

See figure B
Vedi figura B
Siehe Abb. B
Voir figure B
Véase figura B

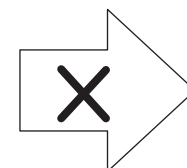
4 - Breaker Off



CLACK

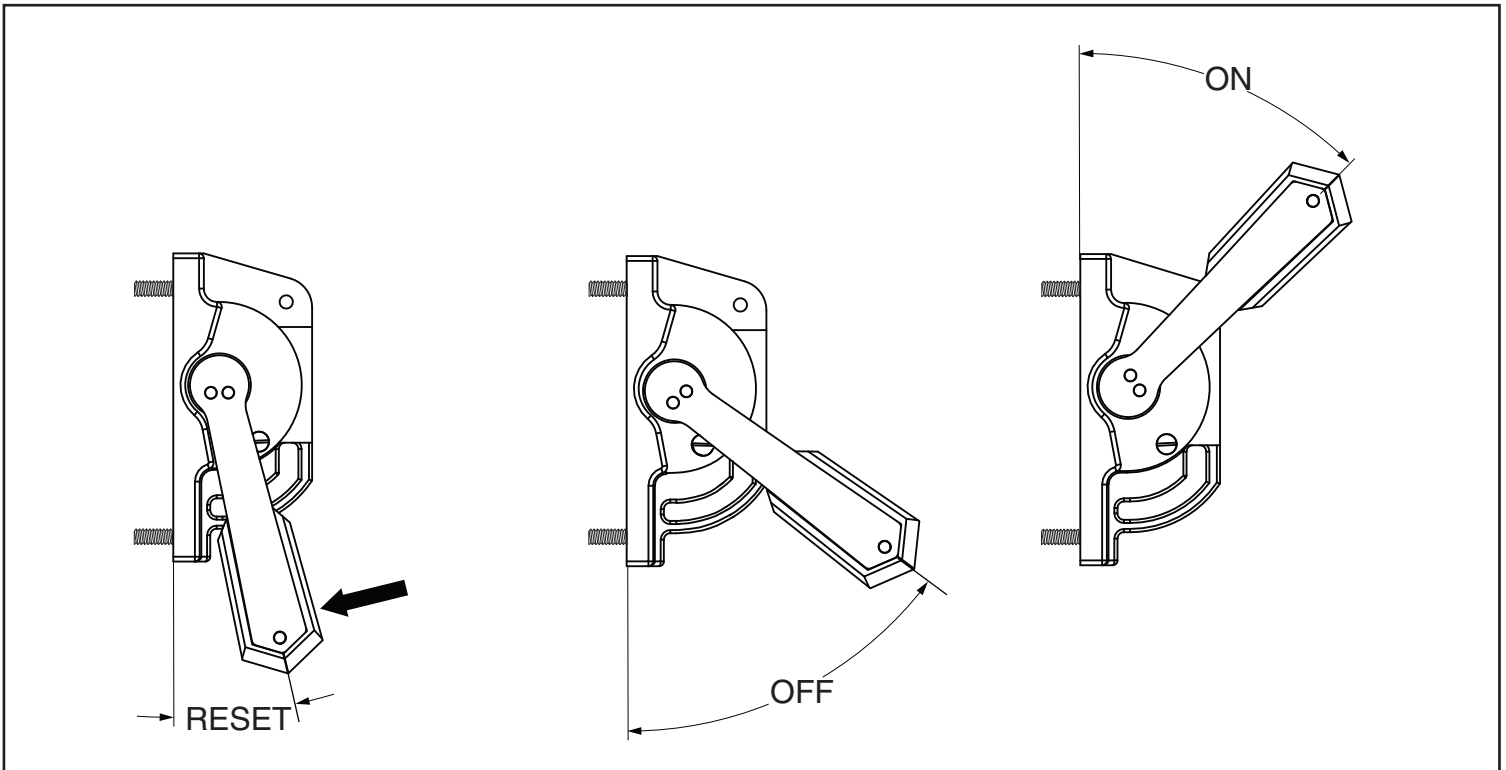
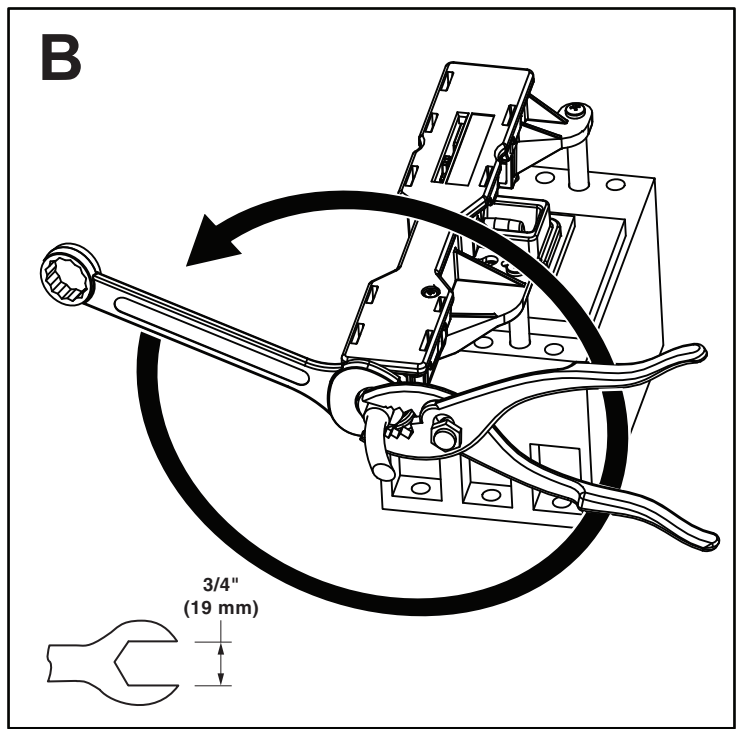
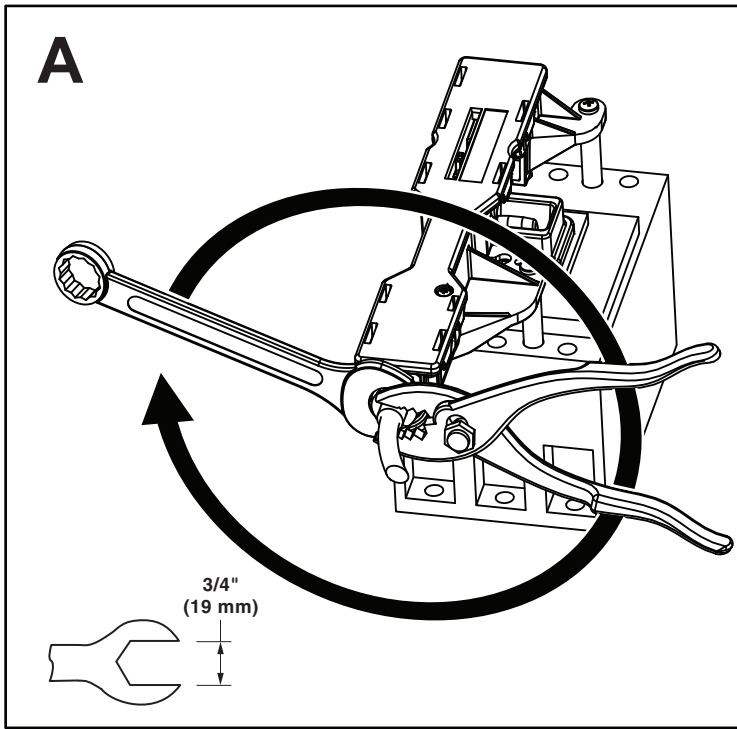


OK!



NO!

See figure A
Vedi figura A
Siehe Abb. A
Voir figure A
Véase figura A



Rockwell Automation maintains current product environmental information on its website at <http://www.rockwellautomation.com/rockwellautomation/about-us/sustainability-ethics/product-environmental-compliance.page>.

Allen-Bradley, Rockwell Software, and Rockwell Automation are trademarks of Rockwell Automation, Inc.
Trademarks not belonging to Rockwell Automation are property of their respective companies.

Rockwell Otomasyon Ticaret A.Ş., Kar Plaza İş Merkezi E Blok Kat:6 34752 İçerenköy, İstanbul, Tel: +90 (216) 5698400

www.rockwellautomation.com

Power, Control and Information Solutions Headquarters

Americas: Rockwell Automation, 1201 South Second Street, Milwaukee, WI 53204-2496 USA, Tel: (1) 414.382.2000, Fax: (1) 414.382.4444

Europe/Middle East/Africa: Rockwell Automation NV, Pegasus Park, De Kleetlaan 12a, 1831 Diegem, Belgium, Tel: (32) 2 663 0600, Fax: (32) 2 663 0640

Asia Pacific: Rockwell Automation, Level 14, Core F, Cyberport 3, 100 Cyberport Road, Hong Kong, Tel: (852) 2887 4788, Fax: (852) 2508 1846

