

Control and Load Switch Specifications

Bulletin Number 194E, 194L

Topic	Page
Product Line Overview	2
194E General Specifications	3
194E Approximate Dimensions	5
194L Circuit Diagrams	13
194L General Specifications	17
Approximate Dimensions	20




Additional Resources

These documents contain additional information concerning related products from Rockwell Automation.

Resource	Description
Industrial Automation Wiring and Grounding Guidelines, publication 1770-4.1	Provides general guidelines for installing a Rockwell Automation industrial system.
Product Certifications website, http://www.ab.com	Provides declarations of conformity, certificates, and other certification details.

You can view or download publications at <http://www.rockwellautomation.com/literature/>. To order paper copies of technical documentation, contact your local Allen-Bradley distributor or Rockwell Automation sales representative.



			
	Bulletin 194E		Bulletin 194L
Product Type	Inductive load-rated load switch		Inductive load-rated control/load switch
Current Range	16...100 A		12...40 A
Main Applications	UL, CSA ratings "suitable as at-motor disconnect"		UL, CSA ratings "suitable as at-motor disconnect"
Functionality	<ul style="list-style-type: none"> 3- or 6-pole switch configurations for OFF-ON or changeover applications (16...100 A switches) 		<ul style="list-style-type: none"> 1- to 6-pole multifunction switch control configurations for OFF-ON, changeover, Star-Delta (Wye-Delta), reversing, ammeter, voltmeter, and step switch applications Also available in custom control configurations up to 16 circuits for any unique control switching application.
Mounting Styles	Front/door or base/DIN Rail mounting		Front/door or base/DIN Rail mounting
Handles	<ul style="list-style-type: none"> Handle colors in grey/black and red/yellow and padlockable versions Legend plates available in 0-I international markings and text styles 		<ul style="list-style-type: none"> Uniformly styled handles: selector knob, disk style, rectangular style, and key-operated versions (Type 1/12, IP66) Handle colors in grey/black and red/yellow and padlockable versions Legend plates available in 0-I international markings and text styles
Open Switch or Enclosed	<ul style="list-style-type: none"> Open switch (large frame Bul. 194E — open style only) Enclosed: IP66 thermoplastic enclosure or UL/CSA rated enclosure 		Open switch
UL/CSA Electrical Ratings: Rated Voltage U_e	600V AC		600V AC
Rated Current I_e	16...100 A @ 600V		12...40 A @ 600V
Rated Power P_e [FLA]	Varies w/ 1- or 3-phase switch, voltage		Varies w/ 1- or 3-phase switch, voltage
Short-Circuit Ratings	5 kA		5 kA
Switching Rate [ops/h]	120		120
Mechanical Life [ops]	0.2 million (16...100 A switches)		1 million
IEC Rated Current I_e			
AC-1	16...100 A @ 600V		12...40 A @ 600V
AC-21A	16...100 A @ 600V		12...40 A @ 600V
AC-22A	16...100 A @ 600V		12...40 A @ 600V
Ambient Operational Temp.	-25...+60 °C (-13...+140 °F)		-25...+60 °C (-13...+140 °F)
Ambient Enclosed Temp.	-20...+60 °C (-4...+140 °F)		-20...+60 °C (-4...+140 °F)
Ambient Storage Temp.	-40...+80 °C (-40...+176 °F)		-40...+80 °C (-40...+176 °F)
Protection class per IEC 529	Switch bodies: IP2		Switch bodies: IP2
Optional Accessories	<ul style="list-style-type: none"> IP66 handles Multi-length shafts and shaft extension kits Terminal covers 		<ul style="list-style-type: none"> Multi-length shafts and shaft extension kits Terminal covers
Standards/Certifications	<ul style="list-style-type: none"> UL 508 CSA C22.2, No. 14 IEC 60947-3 Low Voltage Switchgear and Controlgear part 3 CE 		<ul style="list-style-type: none"> UL 508 CSA C22.2, No. 14 IEC 60947-3 Low Voltage Switchgear and Controlgear part 3 CE

Electrical Ratings

Performance Data			16 A	25 A	32 A	40 A	63 A	80 A	100 A	Aux. Contacts	
IEC Applications											
Rated operational voltage (U_g): IEC★			[V]	690	690	690	690	690	690	690	690
Rated operational voltage (U_g): UL, CSA			[V]	600	600	600	600	600	600	600	600
Rated isolation voltage (U_i): IEC/UL, CSA			[V]	690/600	690/600	690/600	690/600	690/600	690/600	690/600	690/600
Rated impulse voltage (U_{imp}): UL, CSA			[kV]	8	8	8	8	8	8	8	8
Test voltage, (U_i) 1 minute			[kV]	2.5	2.5	2.5	2.5	2.5	2.5	2.5	2.5
Lost power per pole			[W]	0.58	1.0	1.5	1.6	2.4	3.6	5.5	0.4
Rated frequency			[Hz]	50/60	50/60	50/60	50/60	50/60	50/60	50/60	50/60
Conventional free air thermal current I_{th} ★			[A]	25	40	50	63	75	100	120	12
Conventional enclosed thermal current I_e ★			[A]	20	32	40	50	63	80	100	10
Rated current I_e★											
AC-1/	Non-inductive or only slightly inductive loads	[A]	16	25	32	40	63	80	100	10	
AC-21A	Switching of resistive loads with slight overload										
Rated power P_e											
AC-23A	Occasional switching of 3Ø motors and other highly inductive loads (criterion for selecting main switches)	230V	[kW]	5.5	7.5	7.5	15	18.5	22	30	—
		400V	[kW]	7.5	11	15	22	30	37	55	—
		690V	[kW]	7.5	11	15	18.5	22	37	45	—
AC-3	Squirrel-cage motors; starting and stopping of running motors	230V	[kW]	4	5.5	7.5	11	15	18.5	22	—
		400V	[kW]	5.5	7.5	11	15	18.5	30	37	—
		690V	[kW]	5.5	7.5	11	15	18.5	30	22	—
Short circuit current (co-ordination type 2)			[kA]	20	20	15	20	15	30	25	—
Rated conditional short-circuit current			400/415V [A]	20	25	35	50	63	80	100	—
Maximum fuse rating of circuit (type g,G)			[A]	800	900	900	1300	1300	2500	2500	—
Rated short-time current I_{cw} (1 s)											
Rated breaking capacity AC23A (cosφ 0.45)											
230V			[A]	156	296	296	484	484	780	780	—
400V			[A]	120	256	256	504	504	800	800	—
690V			[A]	70	136	136	196	196	376	376	—
DC switching capacity											
Rated current I_e	1 pole	24/48V	[A]	20	25	32	40	63	80	100	
		110V	[A]	5	5	6	8	10	16	20	—
		220V	[A]	1	1	1	1.5	15	3	3	
		440V	[A]	0.5	0.5	0.5	0.6	0.6	0.7	0.7	
DC-21A	2 poles in series	96V	[A]	20	25	32	40	63	80	100	
		110V	[A]	20	23	25	32	50	70	80	—
		220V	[A]	5	5	6	8	10	16	20	
		440V	[A]	1	1	1	1.5	1.5	3	3	
DC-21A	3 poles in series	600V	[A]	0.6	0.6	0.6	0.8	0.8	1	1	
		110V	[A]	20	25	32	40	63	80	100	
		220V	[A]	13	13	15	20	28	50	63	—
		440V	[A]	2.2	2.2	2.2	3.6	3.6	6.5	6.5	
Rated power P_e	3 poles in series	600V	[A]	1.3	1.5	1.5	2	2	3	3	
		90V	[kW]	1	1.3	1.5	2.9	4.1	5.1	7.2	
		110V	[kW]	1	1.1	1.3	2.2	3.3	5.5	7	—
		220V	[kW]	0.8	0.9	1.1	1.7	2	3.5	4.4	
DC-23A, DC-3, DC-5	For inductive loads, $T \leq 15$ ms	440V	[kW]	0.6	0.6	0.6	0.9	0.9	1.1	1.1	
		600V	[kW]	0.4	0.4	0.4	0.5	0.5	0.9	0.9	

★ See standards compliance listed on <http://ab.rockwellautomation.com/Circuit-and-Load-Protection/Disconnect-Switches/Non-Visible-Blade/194R-Fused-Non-Fused-Disconnect-Switches#specifications>

Electrical Ratings, Continued

Performance Data		16 A	25 A	32 A	40 A	63 A	80 A	100 A	Aux. Contacts			
UL/CSA Applications												
Continuous current		[A]	16	25	32	40	63	80	100	—		
Heavy Pilot Duty		[AC]	A600	A600	A600	—	—	—	—	A600		
Standard Duty		[DC]	—	—	—	—	—	—	—	Q600		
Motor rating 60 Hz	Single-phase (2 poles)	120V, 1P	[FLA]	16	16	16	24	34	56	80	—	
			[Hp]	1	1	1	2	3	5	7.5		
		240V, 1P	[FLA]	12	12	17	17	28	50	68		
			[Hp]	2	2	3	3	5	10	15		
		480V, 1P	[FLA]	8.5	8.5	14	21	26	34	68		
			[Hp]	3	3	5	7.5	10	15	30		
	600V, 1P	[FLA]	11.2	11.2	11.2	16	20	27	44			
		[Hp]	5	5	5	7.5	10	15	25			
	Three-phase	120V, 3P	[FLA]	13.6	13.6	19.2	30.4	40	56	84		—
			[Hp]	2	2	3	5	7.5	10	15		
		240V, 3P	[FLA]	9.6	15.2	22	28	42	68	80		
			[Hp]	3	5	7.5	10	15	25	30		
480V, 3P		[FLA]	11	14	21	27	34	52	65			
		[Hp]	7.5	10	15	20	25	40	50			
600V, 3P		[FLA]	11	11	17	22	27	52	52			
		[Hp]	10	10	15	20	25	50	50			

Mechanical Data

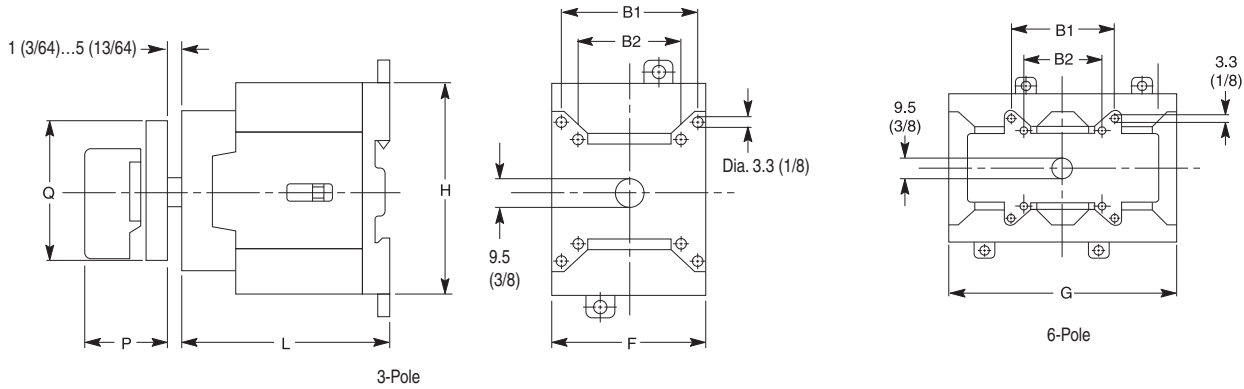
Performance Data		16 A	25...32 A	40...63 A	80...100 A	Aux. Contacts
Protection class according to IEC 529						
Motor rating 60 Hz						
handles		IP66	IP66	IP66	IP66	IP66
switch bodies		IP20	IP20	IP20	IP20	IP20
Mechanical life	[million operations]	0.2	0.2	0.2	0.2	0.2
Max wire gauges						
Terminal size per IEC 947-1						
rigid wire	[AWG]	16...10	14...8	12...4	10...1	18...14
	[mm ²]	1...10	1.5...16	2.5...25	4...50	0.75...2.5
fine strands	[AWG]	16...8	14...8	12...4	10...1	18...14
	[mm ²]	1.5...6	1.5...10	2.5...16	4...35	0.5...2.5
Tightening torque	[N•m]/[lb•in]	1.4/12.2	1.4/12.2	2.8/24.5	5.6/50	1/8.8

Environmental Data

Storage	-40...+80 °C (-40...+176 °F)
Operation	-25...+60 °C (-13...+140 °F)

Dimensions are shown in millimeters (inches). Dimensions are not intended to be used for manufacturing purposes.

Front Installation Cat. No. 194E-E...



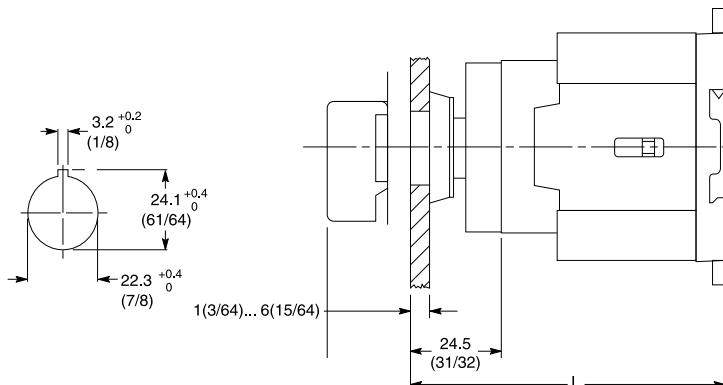
Handles		
Cat. No.	P	Q
194L-HE4A	28 (1-7/64)	48 x 48 (1-57/64 x 1-57/64)
194L-HE4I	28 (1-7/64)	48 x 48 (1-57/64 x 1-57/64)
194E-HE4N	34 (1-11/32)	54 x 54 (2-1/8 x 2-1/8)
194E-HE4G	34 (1-11/32)	54 x 54 (2-1/8 x 2-1/8)
194L-HE6A	28 (1-7/64)	64 x 64 (2-33/64 x 3-5/64)
194L-HE6I	28 (1-7/64)	64 x 64 (2-33/64 x 3-5/64)
194L-HE6N	34 (1-11/32)	67 x 67 (2-41/64 x 2-41/64)
194L-HE6G	34 (1-11/32)	67 x 67 (2-41/64 x 2-41/64)

Switch Body						
Use with Cat. No.	B1 ★	B2	F	H	L ‡	G
194E-E16	28 (1-7/64)	N/A	36 (1-37/64)	63 (2-31/64)	51 (2)	90 (3-35/64)
194E-E25/32	36 (1-27/64)	N/A	45 (1-25/32)	64 (2-33/64)	60 (2-3/8)	90 (3-1/2)
194E-E40/63	48 (1-57/64)	36 (1-27/64)	54 (2-1/8)	72 (2-27/32)	74 (2-29/32)	108 (4-1/4)
194E-E80/100	48 (1-57/64)	36 (1-27/64)	72 (2-27/32)	90 (3-35/64)	90 (3-35/64)	144 (5-11/16)

★ Does not apply to 194E-40/63A, 6-Pole Switches. Use B2 dimensions for 6-pole devices.

‡ For 6-pole switches, add 1 in. to the "L" dimension.

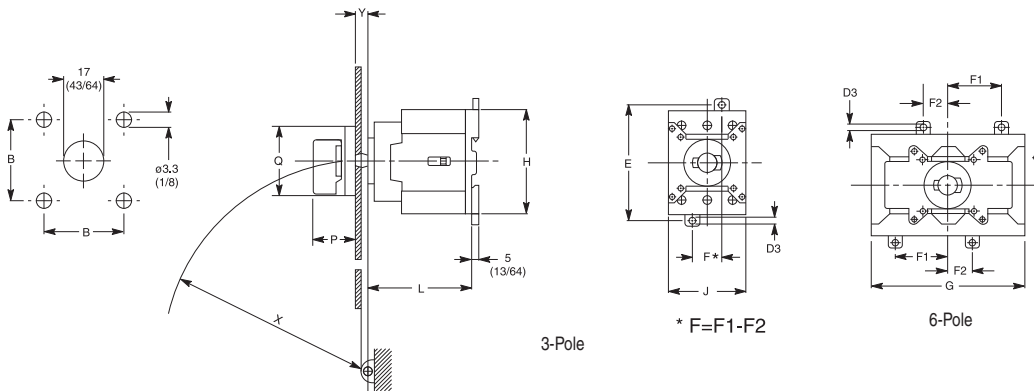
Cat. No. 194E-E Switch Body with Cat. No. 194L-HC4A Handle for 22.5 mm Hole Mounting Style



Type	L
194E-E16	76 (3)
194E-E25/32	84.5 (3-21/64)
194E-E40/63	98.5 (3-7/8)
194E-E80/100	114.5 (4-33/64)

Dimensions are shown in millimeters (inches). Dimensions are not intended to be used for manufacturing purposes.

Base Mounting Cat. No. 194E-A...



Handles

Cat. No.	P	Q
194L-HE4A	28 (1-7/64)	48 x 48 (1-57/64 x 1-57/64)
194L-HE4I	28 (1-7/64)	48 x 48 (1-57/64 x 1-57/64)
194L-HE4S	28 (1-7/64)	48 x 62 (1-57/64 x 2-7/16)
194E-HE4N	34 (1-11/32)	54 x 54 (2-1/8 x 2-1/8)
194E-HE4G	34 (1-11/32)	54 x 54 (2-1/8 x 2-1/8)
194L-HE6A	28 (1-7/64)	64 x 64 (2-33/64 x 3-5/64)
194L-HE6I	28 (1-7/64)	64 x 64 (2-33/64 x 3-5/64)
194L-HE6S	28 (1-7/64)	64 x 78 (2-33/64 x 3-5/64)
194L-HE6N	34 (1-11/32)	67 x 67 (2-41/64 x 2-41/64)
194L-HE6G	34 (1-11/32)	67 x 67 (2-41/64 x 2-41/64)

Cover Requirements

For Use With	Y min.	X \geq	Y max.	X \geq
194E-A16	5 (13/64)	142 (5-19/32)	9.5 (3/8)	90 (3-35/64)
194E-A25/32	5 (13/64)	142 (5-19/32)	9.5 (3/8)	90 (3-35/64)
194E-A40/63	2.5 (7/64)	150 (5-29/32)	9.5 (3/8)	90 (3-35/64)
194E-A80/100	2.5 (7/64)	150 (5-29/32)	9.5 (3/8)	90 (3-35/64)

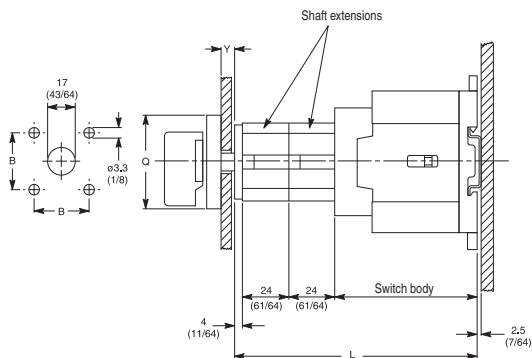
Switch Body

Use With Cat. No.	D3	E	F1	F2	G	H	L ‡	J
194E-A16	4.5 (3/16)	70 (2-49/64)	12.5 (31/64)	23.5 (59/64)	90 (3-35/64)	63 (2-31/64)	80 (3-5/32)	36 (1-27/64)
194E-A25/32	4.5 (3/16)	70 (2-49/64)	30 (1-3/16)	15 (19/32)	90 (3-1/2)	64 (2-33/64)	59 (2-5/16)	45 (1-25/32)
194E-A40/63	4.5 (3/16)	80 (3-5/32)	37 (1-15/32)	17 (43/64)	108 (4-1/4)	72 (2-27/32)	73 (2-55/64)	54 (2-1/8)
194E-A80/100	5.6 (7/32)	95 (3-3/4)	48.5 (1-29/32)	23.5 (59/64)	144 (5-11/16)	90 (3-35/64)	89 (3-1/2)	72 (2-27/32)

‡ For 6-pole switches, add 1 in. to the "L" dimension.

Base Mounting Cat. No. 194E-A...

Cat. No. 194E-A... Switch Body with Cat. No. 194L-G2853 Shaft Extension



Switch Body

L ★	Cat. No.			
	194E-A 16	194E-A 25/32	194E-A 40/63	194E-A 80/100
With 1 shaft extension	79 (3-7/64)	88 (3-15/32)	102 (4-1/32)	118 (4-21/32)
With 2 shaft extensions	103 (4-37/64)	112 (4-27/64)	126 (4-31/32)	142 (5-19/32)
With 3 shaft extensions	127 (5)	136 (5-23/64)	150 (5-29/32)	166 (6-35/64)
With 4 shaft extensions	151 (6-61/64)	160 (6-5/16)	174 (6-55/64)	190 (7-31/64)
With 5 shaft extensions	175 (7-57/64)	184 (7-1/4)	198 (7-51/64)	214 (8-7/16)
With 6 shaft extensions	199 (8-27/32)	208 (8-13/64)	222 (8-3/4)	238 (9-3/8)

★ For 6-pole switches, add 1 in. to the "L" dimension.

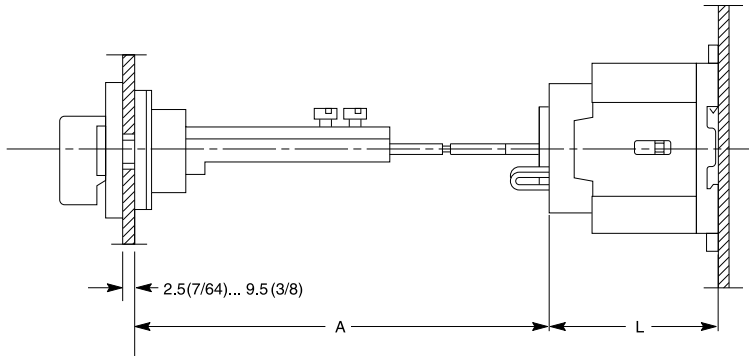
Shaft	Y
194L-G2830	2.5...9.5 (7/64...3/8)
194L-G3194	9...18 (23/64...23/32)
194L-G3195	14...23 (9/16)...(29/32)

Type	Handles		
	B	Q	P
194L-HE4A	36 (1-27/64)	48 x 48 (1-57/64 x 1-57/64)	28 (1-7/64)
194L-HE4I	36 (1-27/64)	48 x 48 (1-57/64 x 1-57/64)	28 (1-7/64)
194E-HE4G	28 (1-7/64)	54 x 54 (2-1/8 x 2-1/8)	34 (1-11/32)
194E-HE4N	28 (1-7/64)	54 x 54 (2-1/8 x 2-1/8)	34 (1-11/32)
194L-HE6A	48 (1-57/64)	64 x 64 (2-33/64 x 2-33/64)	28 (1-7/64)
194L-HE6I	48 (1-57/64)	64 x 64 (2-33/64 x 2-33/64)	28 (1-7/64)
194L-HE6N	48 (1-57/64)	67 x 67 (2-41/64 x 2-41/64)	34 (1-11/32)
194L-HE6G	48 (1-57/64)	67 x 67 (2-41/64 x 2-41/64)	34 (1-11/32)

Dimensions are shown in millimeters (inches). Dimensions are not intended to be used for manufacturing purposes.

Base Installation Cat. No. 194E-A...

Cat. No. 194E-A Switch Body with Metal Shaft Extension



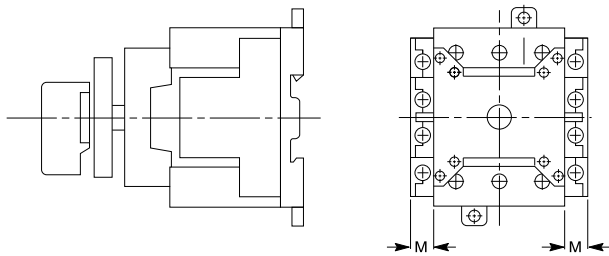
Cat. No.	A
194L-G3393	110...235 (4-11/32...9-1/4)
194L-G3394	230...350 (9-1/16...13-25/32)

Cat. No.	L★
194E-A16	51 (2)
194E-A25/32	60 (2-3/8)
194E-A40/63	74 (2-59/64)
194E-A80/100	90 (3-35/64)

★ For 6-pole switches, add 1 in. to the "L" dimension.

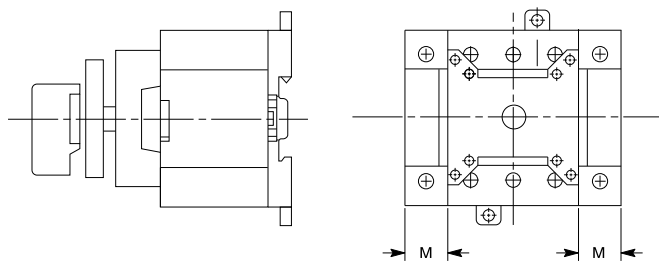
Base and Front Installation

Cat. No. 194E... with Auxiliary Contact Block Installed



Contacts	M
1 N.O. + 1 N.C.	9 (23/64)
2 N.O. + 2 N.C.	18 (23/32)

Cat. No. 194E... with 4-Pole, Ground and Neutral Terminals

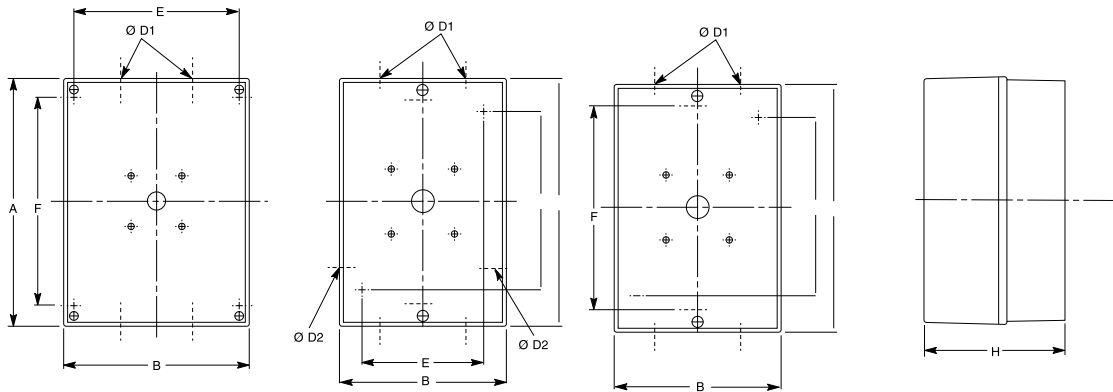


Cat. No.	M
194E-16	12.5 (31/64)
194E-25/32	14 (9/16)
194E-40/63	17.5 (11/16)
194E-80/100	22 (7/8)

Dimensions are shown in millimeters (inches). Dimensions are not intended to be used for manufacturing purposes.

Base Mounting Cat. No. 194E-A...

Thermoplastic Enclosures



Cat. No. 194L-3665		Cat. No. 194L-3572		Cat. No. 194L-3563		Enclosure Base View				
Complete Switches		Enclosures		Height A	Width B	Knockouts‡ ØD1		Mounting Holes§		Depth H
Cat. No.	Poles	ABS	Noryl					E	F	
		Cat. No.								
194E-Y16	3 and 4	★	★	120 (4-23/32)	70 (2-3/4)	M16/M20 16/20 mm	PG11/PG16 18.5/22.5 mm	50 (1-31/32)	105 (4-9/64)	70 (2-49/65)
	6	194E-G3663	194E-G3664	180 (7-3/32)	125 (4-59/64)	M25/M30 25/30 mm	PG21/PG29 28.5/37.5 mm	On Center	145 (5-23/32)	105 (4-1/8)
194E-Y25/32	3 and 4	194L-G3572	194L-G3576	150 (5-29/32)	95 (3-3/4)	PG16/PG21 22.5/28.5 mm		60 (2-3/8)	115 (4-17/32)	86 (3-3/8)
	6	194E-G3663	194E-G3664	180 (7-3/32)	125 (4-59/64)	PG21/PG29 28.5/37.5 mm		On Center	145 (5-23/32)	105 (4-1/8)
194E-Y40/63	3 and 4	194E-G3663	194E-G3664	180 (7-3/32)	125 (4-59/64)	PG21/PG29 28.5/37.5 mm		On Center	145 (5-23/32)	105 (4-1/8)
	6	194E-G3665	194E-G3666	230 (9-1/16)	175 (6-57/64)	PG29/PG36 37.5/47.5 mm		155 (6-3/32)	195 (7-43/64)	120 (4-47/64)
194E-Y80/100	3 and 4	194E-G3665	194E-G3666	230 (9-1/16)	175 (6-57/64)	PG29/PG36 37.5/47.5 mm		155 (6-3/32)	195 (7-43/64)	120 (4-47/64)

★ Empty enclosures not available for purchase.

‡ Cat. No. 194E-A16 units have 1 knockout on each end. all others have 2 knockouts on each end. A letter "M" in the catalog number indicates metric knockouts; the unit is otherwise supplied with PG knockouts.

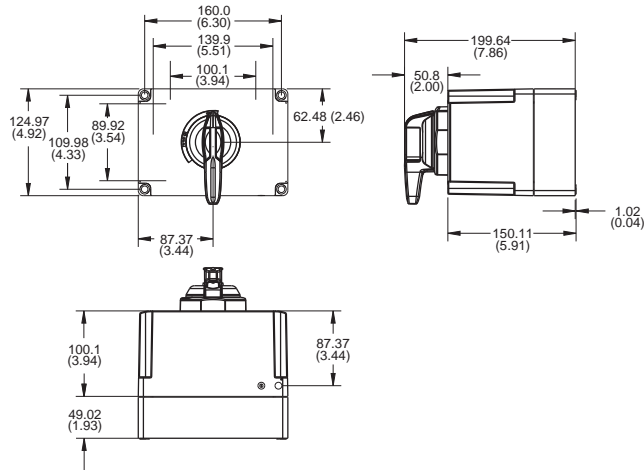
§ All mounting holes have a 4.2 mm (5/32 in.) diameter.

No. of Extensions	Cat. No. 194E-A 20/32...	Cat. No. 194E-A 40/63...	Cat. No. 194E-A 80/00...
With 1 extension	96 (3-25/32)	107 (4-7/32)	114 (4-31/64)
With 2 extensions	120 (4-23/32)	131 (5-5/32)	138 (5-7/16)
With 3 extensions	144 (5-43/64)	155 (6-7/64)	162 (6-3/8)
With 4♣ extensions	168 (6-39/64)	179 (7-3/64)	186 (7-21/64)
With 5♣ extensions	192 (7-9/16)	203 (8)	210 (8-17/64)
With 6♣ extensions	216 (8-1/2)	227 (8-15/16)	234 (9-7/32)

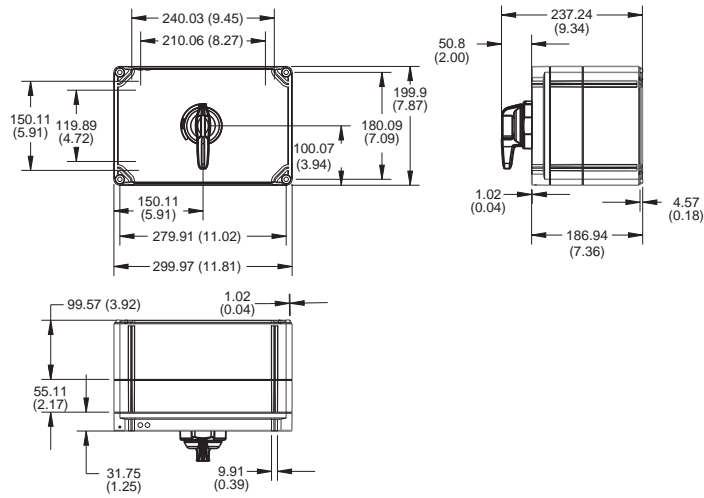
♣ When more than four modules are used, attach the first one to the switch body using the screws supplied with the extension (Cat. No. 194L-G2853).

Dimensions are shown in (millimeters) inches. Dimensions are not intended to be used for manufacturing purposes.

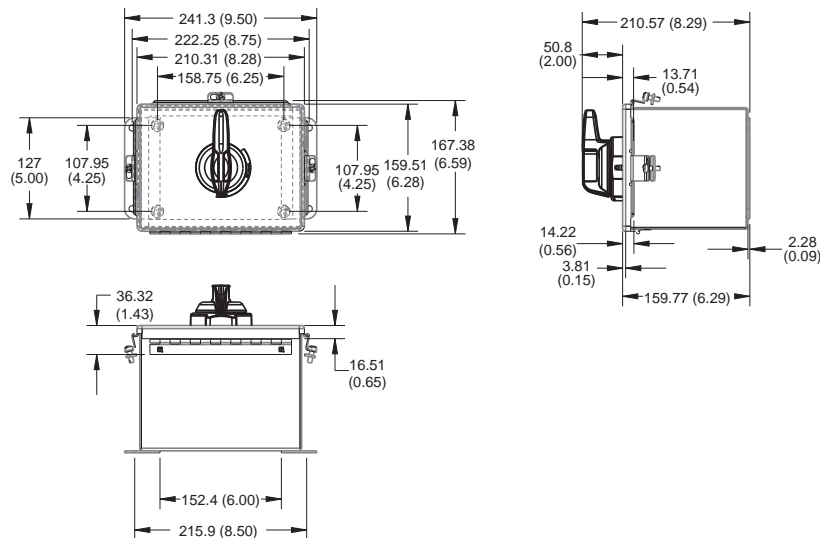
194E Enclosed Switches with 194R Handles



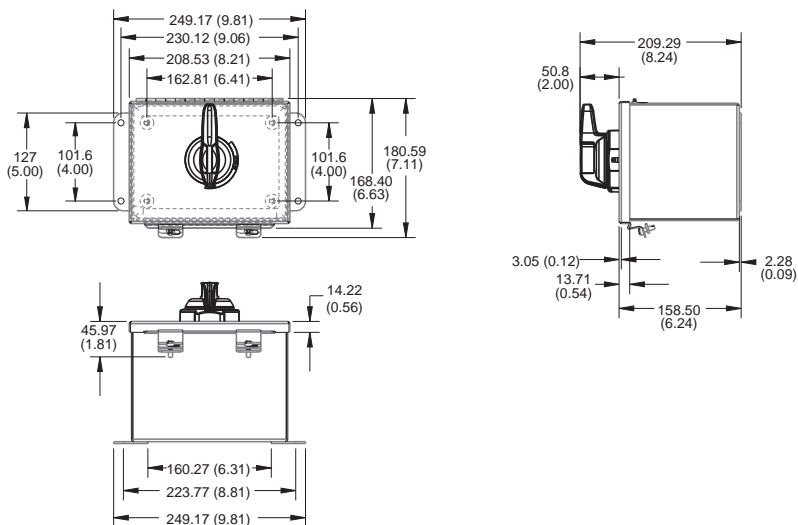
Cat. Nos. 194E-KA-16..63



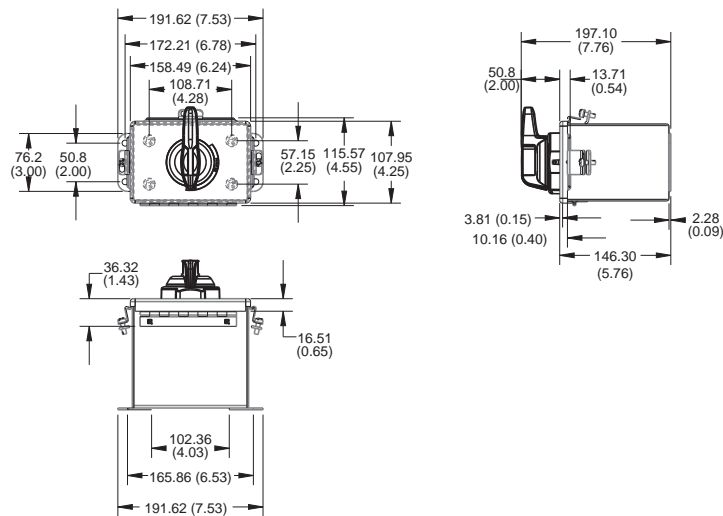
Cat. Nos. 194E-KA-16X...63X, 194E-KA-80...00



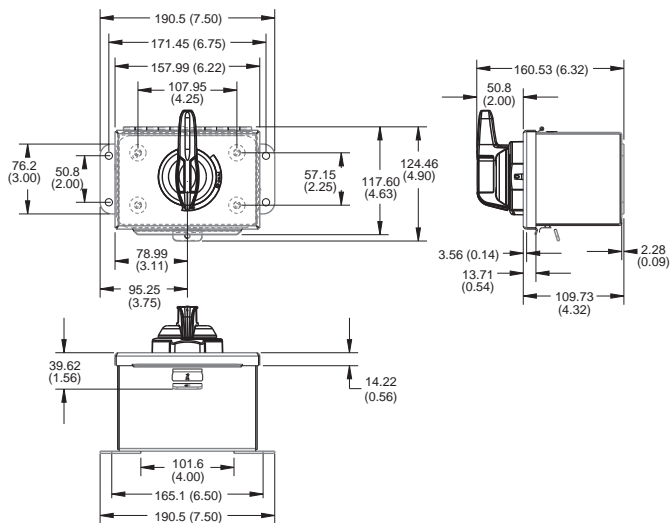
Cat. Nos. 194E-AA-16X...63X, 194E-AA-80...00,
194E-FA-16X...63X, 194E-FA-80...00



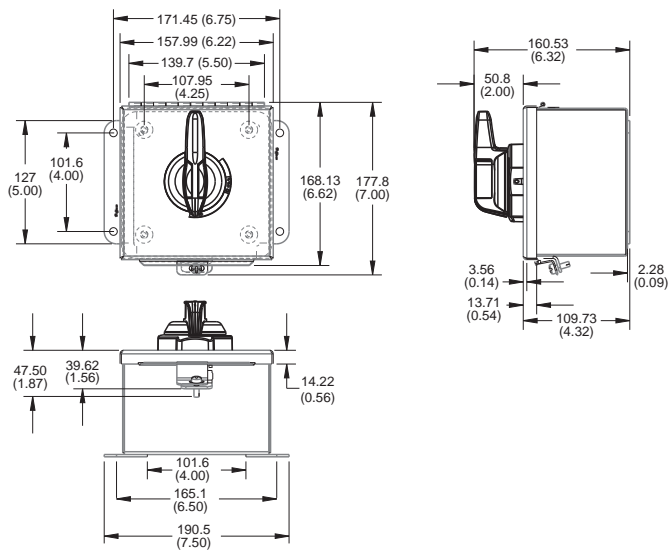
Cat. Nos. 194E-CA-16X...63X, 194E-CA-80...00



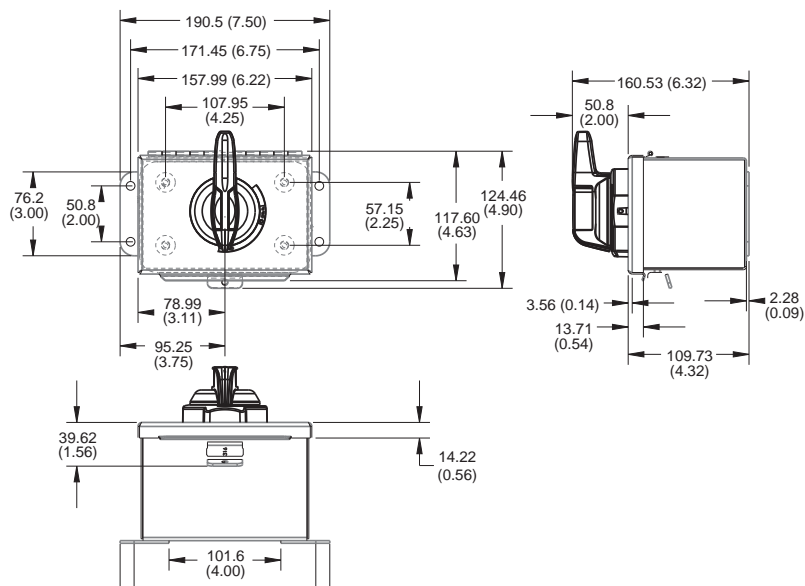
Cat. Nos. 194E-AA-16...63, 194E-FA-16...63



Cat. Nos. 194E-CA-16...63



Cat. Nos. 194E-DA-16...63



Cat. Nos. 194E-GA-16...63

Switching Diagrams

Contact target tables: X = Contact Closed
[Blank] = Contact Open

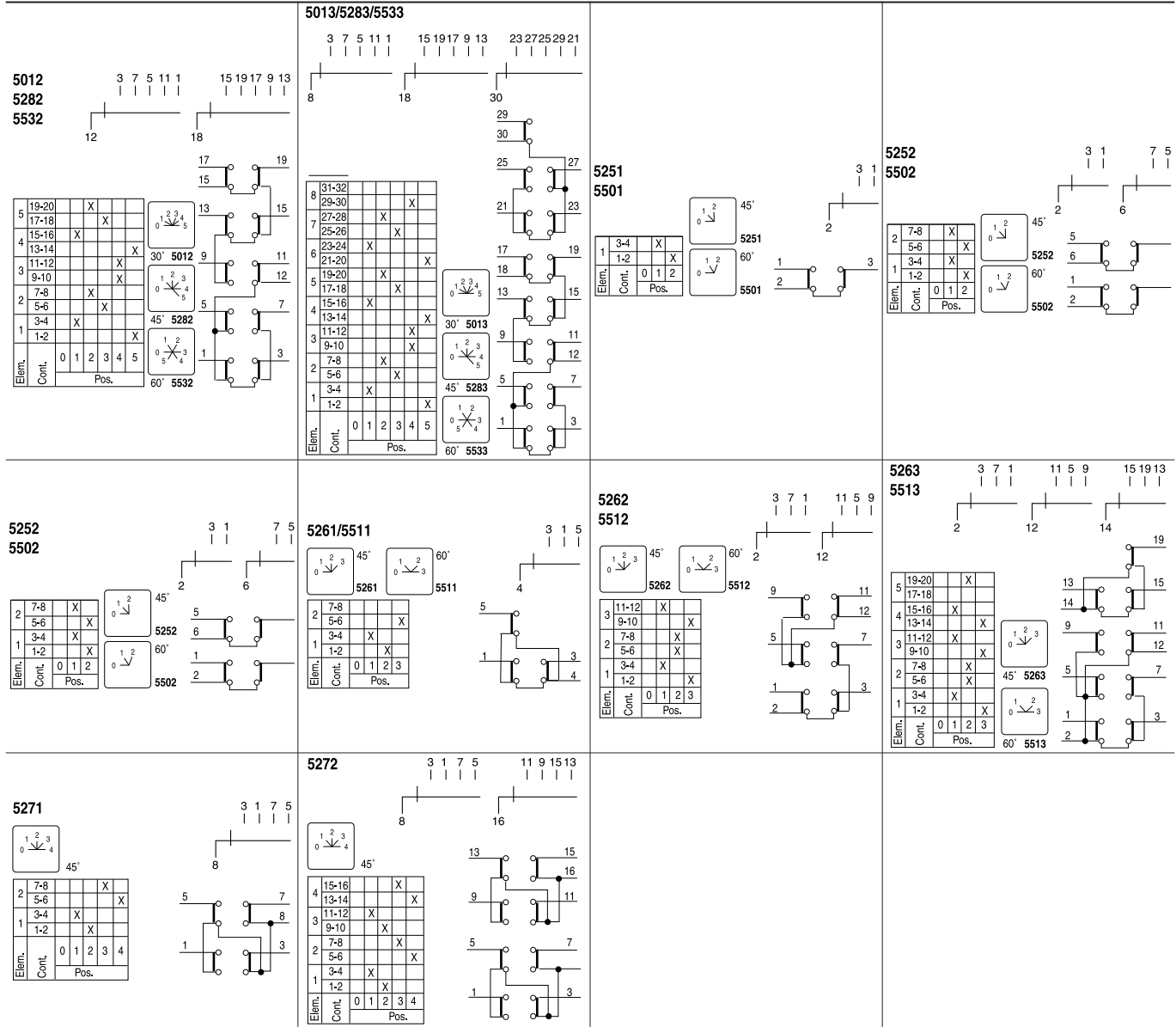
Circuit Diagram Nos. 1501...4253

<p>1501/1751 1781</p> <table border="1"> <tr><td>Elem.</td><td>1</td><td>3-4</td><td></td><td></td></tr> <tr><td>Cont.</td><td>1-2</td><td>0</td><td>X</td><td></td></tr> <tr><td>Pos.</td><td>0</td><td>1</td><td></td><td></td></tr> </table>	Elem.	1	3-4			Cont.	1-2	0	X		Pos.	0	1			<p>1502/1752 1782</p> <table border="1"> <tr><td>Elem.</td><td>1</td><td>3-4</td><td>X</td><td></td></tr> <tr><td>Cont.</td><td>1-2</td><td>0</td><td>X</td><td></td></tr> <tr><td>Pos.</td><td>0</td><td>1</td><td></td><td></td></tr> </table>	Elem.	1	3-4	X		Cont.	1-2	0	X		Pos.	0	1			<p>1503/1753 1783</p> <table border="1"> <tr><td>Elem.</td><td>2</td><td>7-8</td><td></td><td></td></tr> <tr><td>Cont.</td><td>3-4</td><td>5-6</td><td>X</td><td></td></tr> <tr><td>Pos.</td><td>1</td><td>2</td><td></td><td></td></tr> </table>	Elem.	2	7-8			Cont.	3-4	5-6	X		Pos.	1	2			<p>1505/1755</p> <table border="1"> <tr><td>Elem.</td><td>3</td><td>11-12</td><td></td><td></td></tr> <tr><td>Cont.</td><td>9-10</td><td></td><td>X</td><td></td></tr> <tr><td>Pos.</td><td>0</td><td>1</td><td></td><td></td></tr> </table>	Elem.	3	11-12			Cont.	9-10		X		Pos.	0	1		
Elem.	1	3-4																																																													
Cont.	1-2	0	X																																																												
Pos.	0	1																																																													
Elem.	1	3-4	X																																																												
Cont.	1-2	0	X																																																												
Pos.	0	1																																																													
Elem.	2	7-8																																																													
Cont.	3-4	5-6	X																																																												
Pos.	1	2																																																													
Elem.	3	11-12																																																													
Cont.	9-10		X																																																												
Pos.	0	1																																																													
<p>1505/1755</p>	<p>1506/1756</p>	<p>2251/2501</p> <table border="1"> <tr><td>Elem.</td><td>1</td><td>3-4</td><td>X</td><td></td></tr> <tr><td>Cont.</td><td>1-2</td><td></td><td>X</td><td></td></tr> <tr><td>Pos.</td><td>1</td><td>2</td><td></td><td></td></tr> </table>	Elem.	1	3-4	X		Cont.	1-2		X		Pos.	1	2			<p>2252/2502</p> <table border="1"> <tr><td>Elem.</td><td>2</td><td>7-8</td><td>X</td><td>X</td></tr> <tr><td>Cont.</td><td>5-6</td><td></td><td>X</td><td>X</td></tr> <tr><td>Pos.</td><td>1</td><td>2</td><td></td><td></td></tr> </table>	Elem.	2	7-8	X	X	Cont.	5-6		X	X	Pos.	1	2																																
Elem.	1	3-4	X																																																												
Cont.	1-2		X																																																												
Pos.	1	2																																																													
Elem.	2	7-8	X	X																																																											
Cont.	5-6		X	X																																																											
Pos.	1	2																																																													
<p>2253/2503</p>	<p>2254/2504</p> <table border="1"> <tr><td>Elem.</td><td>4</td><td>15-16</td><td>X</td><td></td></tr> <tr><td>Cont.</td><td>13-14</td><td></td><td>X</td><td></td></tr> <tr><td>Pos.</td><td>1</td><td>2</td><td></td><td></td></tr> </table>	Elem.	4	15-16	X		Cont.	13-14		X		Pos.	1	2			<p>2255/2505</p> <table border="1"> <tr><td>Elem.</td><td>5</td><td>19-20</td><td>X</td><td></td></tr> <tr><td>Cont.</td><td>17-18</td><td></td><td>X</td><td></td></tr> <tr><td>Pos.</td><td>1</td><td>2</td><td></td><td></td></tr> </table>	Elem.	5	19-20	X		Cont.	17-18		X		Pos.	1	2			<p>3001/3261</p> <table border="1"> <tr><td>Elem.</td><td>1</td><td>3-4</td><td>X</td><td></td></tr> <tr><td>Cont.</td><td>1-2</td><td>1</td><td>0</td><td>X</td></tr> <tr><td>Pos.</td><td>1</td><td>2</td><td></td><td></td></tr> </table>	Elem.	1	3-4	X		Cont.	1-2	1	0	X	Pos.	1	2																	
Elem.	4	15-16	X																																																												
Cont.	13-14		X																																																												
Pos.	1	2																																																													
Elem.	5	19-20	X																																																												
Cont.	17-18		X																																																												
Pos.	1	2																																																													
Elem.	1	3-4	X																																																												
Cont.	1-2	1	0	X																																																											
Pos.	1	2																																																													
<p>3002/3262</p> <table border="1"> <tr><td>Elem.</td><td>2</td><td>7-8</td><td>X</td><td>X</td></tr> <tr><td>Cont.</td><td>5-6</td><td></td><td>X</td><td>X</td></tr> <tr><td>Pos.</td><td>1</td><td>2</td><td></td><td></td></tr> </table>	Elem.	2	7-8	X	X	Cont.	5-6		X	X	Pos.	1	2			<p>3003/3263</p> <table border="1"> <tr><td>Elem.</td><td>3</td><td>11-12</td><td>X</td><td>X</td></tr> <tr><td>Cont.</td><td>9-10</td><td></td><td>X</td><td>X</td></tr> <tr><td>Pos.</td><td>1</td><td>2</td><td></td><td></td></tr> </table>	Elem.	3	11-12	X	X	Cont.	9-10		X	X	Pos.	1	2			<p>3251/3501 3751</p> <table border="1"> <tr><td>Elem.</td><td>1</td><td>3-4</td><td>X</td><td>X</td></tr> <tr><td>Cont.</td><td>1-2</td><td></td><td>X</td><td>X</td></tr> <tr><td>Pos.</td><td>1</td><td>0</td><td>2</td><td></td></tr> </table>	Elem.	1	3-4	X	X	Cont.	1-2		X	X	Pos.	1	0	2		<p>3252/3502 3752</p> <table border="1"> <tr><td>Elem.</td><td>2</td><td>7-8</td><td>X</td><td>X</td></tr> <tr><td>Cont.</td><td>5-6</td><td></td><td>X</td><td>X</td></tr> <tr><td>Pos.</td><td>1</td><td>2</td><td></td><td></td></tr> </table>	Elem.	2	7-8	X	X	Cont.	5-6		X	X	Pos.	1	2		
Elem.	2	7-8	X	X																																																											
Cont.	5-6		X	X																																																											
Pos.	1	2																																																													
Elem.	3	11-12	X	X																																																											
Cont.	9-10		X	X																																																											
Pos.	1	2																																																													
Elem.	1	3-4	X	X																																																											
Cont.	1-2		X	X																																																											
Pos.	1	0	2																																																												
Elem.	2	7-8	X	X																																																											
Cont.	5-6		X	X																																																											
Pos.	1	2																																																													
<p>3254/3504/3754</p> <table border="1"> <tr><td>Elem.</td><td>4</td><td>15-16</td><td>X</td><td></td></tr> <tr><td>Cont.</td><td>13-14</td><td></td><td>X</td><td></td></tr> <tr><td>Pos.</td><td>1</td><td>0</td><td>2</td><td></td></tr> </table>	Elem.	4	15-16	X		Cont.	13-14		X		Pos.	1	0	2		<p>3253/3503/3753</p> <table border="1"> <tr><td>Elem.</td><td>3</td><td>11-12</td><td>X</td><td></td></tr> <tr><td>Cont.</td><td>9-10</td><td></td><td>X</td><td></td></tr> <tr><td>Pos.</td><td>1</td><td>0</td><td>2</td><td></td></tr> </table>	Elem.	3	11-12	X		Cont.	9-10		X		Pos.	1	0	2		<p>4252</p>	<p>4253</p> <table border="1"> <tr><td>Elem.</td><td>5</td><td>19-20</td><td>X</td><td></td></tr> <tr><td>Cont.</td><td>17-18</td><td></td><td>X</td><td></td></tr> <tr><td>Pos.</td><td>1</td><td>2</td><td>3</td><td></td></tr> </table>	Elem.	5	19-20	X		Cont.	17-18		X		Pos.	1	2	3																
Elem.	4	15-16	X																																																												
Cont.	13-14		X																																																												
Pos.	1	0	2																																																												
Elem.	3	11-12	X																																																												
Cont.	9-10		X																																																												
Pos.	1	0	2																																																												
Elem.	5	19-20	X																																																												
Cont.	17-18		X																																																												
Pos.	1	2	3																																																												

Circuit Diagram Nos. 4271...5531

<p>4271 4521</p> <table border="1"> <tr><td>3</td><td>11-12</td><td></td><td></td><td>X</td></tr> <tr><td></td><td>9-10</td><td></td><td></td><td></td></tr> <tr><td>2</td><td>7-8</td><td>X</td><td></td><td>X</td></tr> <tr><td></td><td>5-6</td><td></td><td>X</td><td></td></tr> <tr><td>1</td><td>3-4</td><td>X</td><td></td><td></td></tr> <tr><td></td><td>1-2</td><td></td><td>X</td><td>X</td></tr> </table> <p>Elem. Cont. Pos. 1 2 3 4 5</p> <p>45° 4271 60° 4521</p>	3	11-12			X		9-10				2	7-8	X		X		5-6		X		1	3-4	X				1-2		X	X	<p>4251 4501</p> <table border="1"> <tr><td>2</td><td>7-8</td><td></td><td></td><td>X</td></tr> <tr><td></td><td>5-6</td><td></td><td>X</td><td></td></tr> <tr><td>1</td><td>3-4</td><td>X</td><td></td><td></td></tr> <tr><td></td><td>1-2</td><td>X</td><td></td><td></td></tr> </table> <p>Elem. Cont. Pos. 1 2 3</p> <p>45° 4251 60° 4501</p>	2	7-8			X		5-6		X		1	3-4	X				1-2	X			<p>4261 4511</p> <table border="1"> <tr><td>2</td><td>7-8</td><td></td><td></td><td>X</td></tr> <tr><td></td><td>5-6</td><td></td><td>X</td><td></td></tr> <tr><td>1</td><td>3-4</td><td>X</td><td></td><td></td></tr> <tr><td></td><td>1-2</td><td>X</td><td></td><td></td></tr> </table> <p>Elem. Cont. Pos. 1 2 3 4</p> <p>45° 4261 60° 4511</p>	2	7-8			X		5-6		X		1	3-4	X				1-2	X			<p>4262 4512</p> <table border="1"> <tr><td>4</td><td>15-16</td><td></td><td></td><td>X</td></tr> <tr><td></td><td>13-14</td><td></td><td></td><td>X</td></tr> <tr><td>3</td><td>11-12</td><td>X</td><td></td><td></td></tr> <tr><td></td><td>9-10</td><td>X</td><td></td><td></td></tr> <tr><td>2</td><td>7-8</td><td></td><td>X</td><td></td></tr> <tr><td></td><td>5-6</td><td></td><td>X</td><td></td></tr> <tr><td>1</td><td>3-4</td><td>X</td><td></td><td></td></tr> <tr><td></td><td>1-2</td><td>X</td><td></td><td></td></tr> </table> <p>Elem. Cont. Pos. 1 2 3 4</p> <p>45° 4262 60° 4512</p>	4	15-16			X		13-14			X	3	11-12	X				9-10	X			2	7-8		X			5-6		X		1	3-4	X				1-2	X																																																														
3	11-12			X																																																																																																																																																																									
	9-10																																																																																																																																																																												
2	7-8	X		X																																																																																																																																																																									
	5-6		X																																																																																																																																																																										
1	3-4	X																																																																																																																																																																											
	1-2		X	X																																																																																																																																																																									
2	7-8			X																																																																																																																																																																									
	5-6		X																																																																																																																																																																										
1	3-4	X																																																																																																																																																																											
	1-2	X																																																																																																																																																																											
2	7-8			X																																																																																																																																																																									
	5-6		X																																																																																																																																																																										
1	3-4	X																																																																																																																																																																											
	1-2	X																																																																																																																																																																											
4	15-16			X																																																																																																																																																																									
	13-14			X																																																																																																																																																																									
3	11-12	X																																																																																																																																																																											
	9-10	X																																																																																																																																																																											
2	7-8		X																																																																																																																																																																										
	5-6		X																																																																																																																																																																										
1	3-4	X																																																																																																																																																																											
	1-2	X																																																																																																																																																																											
<p>4263 4513</p> <table border="1"> <tr><td>6</td><td>23-24</td><td></td><td></td><td>X</td></tr> <tr><td></td><td>21-22</td><td></td><td></td><td>X</td></tr> <tr><td>5</td><td>19-20</td><td>X</td><td></td><td></td></tr> <tr><td></td><td>17-18</td><td>X</td><td></td><td></td></tr> <tr><td>4</td><td>15-16</td><td></td><td>X</td><td></td></tr> <tr><td></td><td>13-14</td><td></td><td>X</td><td></td></tr> <tr><td>3</td><td>11-12</td><td>X</td><td></td><td></td></tr> <tr><td></td><td>9-10</td><td>X</td><td></td><td></td></tr> <tr><td>2</td><td>7-8</td><td>X</td><td></td><td></td></tr> <tr><td></td><td>5-6</td><td>X</td><td></td><td></td></tr> <tr><td>1</td><td>3-4</td><td>X</td><td></td><td></td></tr> <tr><td></td><td>1-2</td><td>X</td><td></td><td></td></tr> </table> <p>Elem. Cont. Pos. 1 2 3 4</p> <p>45° 4263 60° 4513</p>	6	23-24			X		21-22			X	5	19-20	X				17-18	X			4	15-16		X			13-14		X		3	11-12	X				9-10	X			2	7-8	X				5-6	X			1	3-4	X				1-2	X			<p>4281 4531</p> <table border="1"> <tr><td>3</td><td>11-12</td><td></td><td>X</td><td></td></tr> <tr><td></td><td>9-10</td><td></td><td>X</td><td></td></tr> <tr><td>2</td><td>7-8</td><td>X</td><td></td><td>X</td></tr> <tr><td></td><td>5-6</td><td></td><td>X</td><td></td></tr> <tr><td>1</td><td>3-4</td><td>X</td><td></td><td></td></tr> <tr><td></td><td>1-2</td><td></td><td>X</td><td></td></tr> </table> <p>Elem. Cont. Pos. 1 2 3 4 5 6</p> <p>45° 4281 60° 4531</p>	3	11-12		X			9-10		X		2	7-8	X		X		5-6		X		1	3-4	X				1-2		X		<p>4502</p> <table border="1"> <tr><td>3</td><td>11-12</td><td>X</td><td></td><td></td></tr> <tr><td></td><td>9-10</td><td>X</td><td></td><td></td></tr> <tr><td>2</td><td>7-8</td><td>X</td><td></td><td></td></tr> <tr><td></td><td>5-6</td><td>X</td><td></td><td></td></tr> <tr><td>1</td><td>3-4</td><td>X</td><td></td><td></td></tr> <tr><td></td><td>1-2</td><td></td><td>X</td><td></td></tr> </table> <p>Elem. Cont. Pos. 1 2 3</p> <p>60°</p>	3	11-12	X				9-10	X			2	7-8	X				5-6	X			1	3-4	X				1-2		X		<p>4503</p> <table border="1"> <tr><td>5</td><td>19-20</td><td>X</td><td></td><td></td></tr> <tr><td></td><td>17-18</td><td></td><td></td><td></td></tr> <tr><td>4</td><td>15-16</td><td>X</td><td></td><td>X</td></tr> <tr><td></td><td>13-14</td><td></td><td>X</td><td></td></tr> <tr><td>3</td><td>11-12</td><td>X</td><td></td><td></td></tr> <tr><td></td><td>9-10</td><td>X</td><td></td><td></td></tr> <tr><td>2</td><td>7-8</td><td>X</td><td></td><td></td></tr> <tr><td></td><td>5-6</td><td>X</td><td></td><td></td></tr> <tr><td>1</td><td>3-4</td><td>X</td><td></td><td></td></tr> <tr><td></td><td>1-2</td><td>X</td><td></td><td></td></tr> </table> <p>Elem. Cont. Pos. 1 2 3</p> <p>60°</p>	5	19-20	X				17-18				4	15-16	X		X		13-14		X		3	11-12	X				9-10	X			2	7-8	X				5-6	X			1	3-4	X				1-2	X		
6	23-24			X																																																																																																																																																																									
	21-22			X																																																																																																																																																																									
5	19-20	X																																																																																																																																																																											
	17-18	X																																																																																																																																																																											
4	15-16		X																																																																																																																																																																										
	13-14		X																																																																																																																																																																										
3	11-12	X																																																																																																																																																																											
	9-10	X																																																																																																																																																																											
2	7-8	X																																																																																																																																																																											
	5-6	X																																																																																																																																																																											
1	3-4	X																																																																																																																																																																											
	1-2	X																																																																																																																																																																											
3	11-12		X																																																																																																																																																																										
	9-10		X																																																																																																																																																																										
2	7-8	X		X																																																																																																																																																																									
	5-6		X																																																																																																																																																																										
1	3-4	X																																																																																																																																																																											
	1-2		X																																																																																																																																																																										
3	11-12	X																																																																																																																																																																											
	9-10	X																																																																																																																																																																											
2	7-8	X																																																																																																																																																																											
	5-6	X																																																																																																																																																																											
1	3-4	X																																																																																																																																																																											
	1-2		X																																																																																																																																																																										
5	19-20	X																																																																																																																																																																											
	17-18																																																																																																																																																																												
4	15-16	X		X																																																																																																																																																																									
	13-14		X																																																																																																																																																																										
3	11-12	X																																																																																																																																																																											
	9-10	X																																																																																																																																																																											
2	7-8	X																																																																																																																																																																											
	5-6	X																																																																																																																																																																											
1	3-4	X																																																																																																																																																																											
	1-2	X																																																																																																																																																																											
<p>5001 5271 5521</p> <table border="1"> <tr><td>2</td><td>7-8</td><td></td><td></td><td>X</td></tr> <tr><td></td><td>5-6</td><td></td><td></td><td>X</td></tr> <tr><td>1</td><td>3-4</td><td>X</td><td></td><td></td></tr> <tr><td></td><td>1-2</td><td></td><td>X</td><td></td></tr> </table> <p>Elem. Cont. Pos. 0 1 2 3 4</p> <p>30° 5001 45° 5271 60° 5521</p>	2	7-8			X		5-6			X	1	3-4	X				1-2		X		<p>5002 5272 5522</p> <table border="1"> <tr><td>4</td><td>15-16</td><td></td><td></td><td>X</td></tr> <tr><td></td><td>13-14</td><td></td><td></td><td>X</td></tr> <tr><td>3</td><td>11-12</td><td>X</td><td></td><td></td></tr> <tr><td></td><td>9-10</td><td>X</td><td></td><td></td></tr> <tr><td>2</td><td>7-8</td><td></td><td>X</td><td></td></tr> <tr><td></td><td>5-6</td><td></td><td>X</td><td></td></tr> <tr><td>1</td><td>3-4</td><td>X</td><td></td><td></td></tr> <tr><td></td><td>1-2</td><td>X</td><td></td><td></td></tr> </table> <p>Elem. Cont. Pos. 0 1 2 3 4</p> <p>30° 5002 45° 5272 60° 5522</p>	4	15-16			X		13-14			X	3	11-12	X				9-10	X			2	7-8		X			5-6		X		1	3-4	X				1-2	X			<p>5003/5273/5523</p> <table border="1"> <tr><td>6</td><td>23-24</td><td></td><td></td><td>X</td></tr> <tr><td></td><td>21-22</td><td></td><td></td><td>X</td></tr> <tr><td>5</td><td>19-20</td><td>X</td><td></td><td></td></tr> <tr><td></td><td>17-18</td><td>X</td><td></td><td></td></tr> <tr><td>4</td><td>15-16</td><td></td><td>X</td><td></td></tr> <tr><td></td><td>13-14</td><td></td><td>X</td><td></td></tr> <tr><td>3</td><td>11-12</td><td>X</td><td></td><td></td></tr> <tr><td></td><td>9-10</td><td>X</td><td></td><td></td></tr> <tr><td>2</td><td>7-8</td><td>X</td><td></td><td></td></tr> <tr><td></td><td>5-6</td><td>X</td><td></td><td></td></tr> <tr><td>1</td><td>3-4</td><td>X</td><td></td><td></td></tr> <tr><td></td><td>1-2</td><td>X</td><td></td><td></td></tr> </table> <p>Elem. Cont. Pos. 0 1 2 3 4</p> <p>30° 5003 45° 5273 60° 5523</p>	6	23-24			X		21-22			X	5	19-20	X				17-18	X			4	15-16		X			13-14		X		3	11-12	X				9-10	X			2	7-8	X				5-6	X			1	3-4	X				1-2	X			<p>5011 5281 5531</p> <table border="1"> <tr><td>3</td><td>11-12</td><td></td><td></td><td>X</td></tr> <tr><td></td><td>9-10</td><td></td><td></td><td></td></tr> <tr><td>2</td><td>7-8</td><td>X</td><td></td><td>X</td></tr> <tr><td></td><td>5-6</td><td></td><td>X</td><td></td></tr> <tr><td>1</td><td>3-4</td><td>X</td><td></td><td></td></tr> <tr><td></td><td>1-2</td><td></td><td>X</td><td></td></tr> </table> <p>Elem. Cont. Pos. 0 1 2 3 4 5</p> <p>30° 5011 45° 5281 60° 5531</p>	3	11-12			X		9-10				2	7-8	X		X		5-6		X		1	3-4	X				1-2		X																					
2	7-8			X																																																																																																																																																																									
	5-6			X																																																																																																																																																																									
1	3-4	X																																																																																																																																																																											
	1-2		X																																																																																																																																																																										
4	15-16			X																																																																																																																																																																									
	13-14			X																																																																																																																																																																									
3	11-12	X																																																																																																																																																																											
	9-10	X																																																																																																																																																																											
2	7-8		X																																																																																																																																																																										
	5-6		X																																																																																																																																																																										
1	3-4	X																																																																																																																																																																											
	1-2	X																																																																																																																																																																											
6	23-24			X																																																																																																																																																																									
	21-22			X																																																																																																																																																																									
5	19-20	X																																																																																																																																																																											
	17-18	X																																																																																																																																																																											
4	15-16		X																																																																																																																																																																										
	13-14		X																																																																																																																																																																										
3	11-12	X																																																																																																																																																																											
	9-10	X																																																																																																																																																																											
2	7-8	X																																																																																																																																																																											
	5-6	X																																																																																																																																																																											
1	3-4	X																																																																																																																																																																											
	1-2	X																																																																																																																																																																											
3	11-12			X																																																																																																																																																																									
	9-10																																																																																																																																																																												
2	7-8	X		X																																																																																																																																																																									
	5-6		X																																																																																																																																																																										
1	3-4	X																																																																																																																																																																											
	1-2		X																																																																																																																																																																										

Circuit Diagram Nos. 5012...5272



Circuit Diagram Nos. 5273...8771

5273

6	23-24			X	
5	19-20	X			X
4	15-16		X		
3	11-12	X	X		
2	7-8				X
1	3-4	X	X		X
0	1-2				

7253
7323
7503

4	15-16	X	X		
3	11-12	X	X		
2	7-8	X			
1	3-4	X	X		
0	1-2	X	X		

7303
7543

3	11-12	X	X		
2	7-8	X			
1	3-4	X	X		
0	1-2	X	X		

8251

3	11-12	X	X		
2	7-8	X	X		
1	3-4	X	X		
0	1-2	X	X		

8271

2	7-8		X	X
1	3-4	X	X	
0	1-2			

8751

3	11-12		X	X	
2	7-8		X	X	
1	3-4	X	X	X	
0	1-2	X	X	X	

8761

4	15-16		X	X	
3	11-12		X	X	
2	7-8	X	X	X	
1	3-4	X	X	X	
0	1-2	X	X	X	

8771

1	3-4	X	X	
0	1-2	X	X	

Electrical Ratings

Performance Data		12 A	16 A	20 A	25 A	32 A	40 A								
IEC Applications															
Rated voltage U_e ★	IEC-947	[V]	690	690	690	690	690								
Isolating conditions acc. to VDE fulfilled up to rated impulse voltage U_{imp}		[kV]	6	6	6	8	8								
Thermal rated current I_{th} ★	40 °C IEC-947	[A]	16	20	25	30	45								
Thermal rated current I_{the}	60 °C IEC-947	[A]	12	16	20	25	32								
Rated current I_e ★															
AC-1/ AC-21A	Non-inductive or slightly inductive loads/ switching of resistive loads with slight overload	IEC-947 690V	[A]	12	16	20	25	32	40						
AC-1	Non-inductive or slightly inductive loads	SEV 660V	[A]	12	16	20	25	32	40						
AC22A	Switching of mixed resistive and inductive loads with slight overload	IEC-947 220...500V 690V	[A] [A]	12 12	16 16	20 20	25 25	32 32	40 40						
AC-15	Switching of inductive drives, motors, valves, and electromagnets.	IEC-947 220...240V 380...415V 500V	[A] [A] [A]	5 3 2	6 4 2.5	7 5 3	8 6 4	—	—						
DC switching capacity	Contacts in series														
Rated current I_e															
Rated Voltage [V]	1	2	3	4	5	6	8								
	24	48	72	96	120	144	192	[A]	12	16	20	22	—	—	
	48	96	144	192	240	288	384	[A]	10	12	16	18	—	—	
	60	120	180	240	300	360	450	[A]	8	10	12	14	32	40	
DC-21A	For resistive loads, $T \leq 1ms$	110	220	330	440	550	660	—	[A]	2	2.5	4	5	—	—
		220	440	660	—	—	—	—	[A]	0.5	0.6	0.7	0.8	—	—
	U_e max = 600V	440	—	—	—	—	—	—	[A]	0.4	0.4	0.5	0.5	—	—
Rated making/breaking capacity (= $1.5 \times I_e$)															
		25.2	50.4	75.6	100.8	126	151.2	201.6	[A]	18	24	30	33	—	—
	1.05 x Rated voltage [V]	50.4	100.8	151.2	201.6	252	302.4	403.2	[A]	15	21	24	27	—	—
	For resistive loads, $T_{th} 1ms$	63	126	189	252	315	378	504	[A]	12	18	18	21	48	60
		115.5	231	346.5	462	577.5	—	—	[A]	3	4.5	6	7.5	—	—
	U_e max = 600V	231	462	—	—	—	—	—	[A]	0.75	1.12	1.05	1.2	—	—
		462	—	—	—	—	—	—	[A]	0.52	0.78	0.47	0.75	—	—
Rated current I_e															
Rated voltage [V]	24	48	72	96	120	144	192		[A]	8	10	12	14	16	16
	30	60	90	120	150	180	240		[A]	4.5	5.5	7	8	—	—
For inductive loads $T = 50 ms$	48	96	144	192	240	288	384		[A]	1.5	2	2.5	3	8	8
Rated voltage [V]	60	120	180	240	300	360	450		[A]	1	1.2	1.5	1.8	4.8	4.8
	110	220	330	440	550	660	—		[A]	0.4	0.5	0.6	0.7	2	2
	220	—	—	—	—	—	—		[A]	—	—	—	—	0.6	0.6
Rated making/breaking capacity (= $1.1 \times I_e$)															
	1.1 x Rated voltage [V]	26.4	52.8	79.2	105.6	132	158.4	184.8	[A]	8.8	11	13.2	1.54	—	17.6
		33	66	99	132	165	198	231	[A]	4.95	6.05	7.7	8.8	—	—
	For inductive loads $T = 50 ms$	52.8	105.6	158.4	211.2	264	316.8	369.6	[A]	1.65	2.2	2.75	3.3	8.8	8.8
	U_e max = 600V	66	132	198	264	330	396	462	[A]	1.1	1.32	1.65	1.98	5.28	5.28
		121	242	363	484	605	—	—	[A]	4.95	6.05	7.7	8.8	2.2	2.2
Power Lost									[W]	0.3	0.5	0.6	0.9	0.8	1.4
Rated power P_e	Contacts in series														
	24				1				[kW]	0.12	0.15	0.20	0.25	0.30	0.30
	24				2				[kW]	0.20	0.25	0.30	0.37	—	—
	48				2				[kW]	0.25	0.30	0.37	0.50	0.50	0.50
	48				3				[kW]	0.30	0.37	0.50	0.75	—	—
Rated voltage [V]	60				2				[kW]	0.25	0.30	0.37	0.50	1.00	1.00
DC-23A, DC-3, DC-5	60				4				[kW]	0.37	0.50	0.75	1.00	—	—
For inductive loads, $T \leq 1 ms$	110				4				[kW]	0.50	0.75	1.00	1.20	—	—
	110				6				[kW]	1.00	1.20	1.40	1.60	—	—
	220				4				[kW]	0.37	0.50	0.75	1.00	—	—
	220				6				[kW]	1.00	1.20	1.40	1.50	—	—

★ See standards compliance listed on <http://ab.rockwellautomation.com/Circuit-and-Load-Protection/Disconnect-Switches/Non-Visible-Blade/194R-Fused-Non-Fused-Disconnect-Switches#specifications>

Performance Data, Continued				12 A	16 A	20 A	25 A	32 A	40 A	
IEC Applications, Continued										
Rated making/breaking capacity (= 4 x I _o)		Contacts in series								
	Rated Voltage [V]			[A]						
DC-23A, DC-3, DC-5 For inductive loads, T ≤ 7.5 ms	25.2	1	[A]	20.0	25.0	33.3	41.6	50.0	50.0	
	25.2	2	[A]	33.3	41.6	50.0	61.6	—	—	
	50.4	2	[A]	21.0	25.0	30.8	41.6	41.6	41.6	
	50.4	3	[A]	25.0	30.8	42.0	62.4	—	—	
	63	2	[A]	16.6	20.0	24.6	33.2	66.6	66.6	
	63	4	[A]	24.6	33.3	50.0	66.4	—	—	
	115.5	4	[A]	18.1	27.2	36.4	44.0	—	—	
	115.5	6	[A]	36.4	43.6	51.0	58.2	—	—	
231	4	[A]	6.7	9.1	13.6	18.2	—	—		
231	6	[A]	18.1	21.8	25.2	27.2	—	—		
Rated breaking capacity		at 220V	[A]	72	96	128	176	296	296	
		0.45 [cos φ]	[A]	72	96	128	176	280	336	
		at 380V	[A]	72	96	128	176	280	336	
		0.45 [cos φ]	[A]	53	72	86	112	196	196	
Rated power P _e ★	IEC-947									
AC-2 Slip-ring motors: starting, reversing and electric braking; star/delta starting	3-phase 3-pole	240V	[kW]	3	4	5.5	5.5	—	—	
		380V	[kW]	5.5	7.5	9	13	—	—	
		415V	[kW]	5.5	7.5	9	13	—	—	
		440V	[kW]	5.5	7.5	9	13	—	—	
		500V	[kW]	7.5	10	11	15	—	—	
		660V	[kW]	7.5	10	11	15	—	—	
AC-3 Squirrel-cage motors: starting and stopping of running motors	3-phase 3-pole	220...240V	[kW]	2.2	3	4.5	5.5	7.5	7.5	
		380...440V	[kW]	4	5.5	7.5	11	15	18.5	
		500V	[kW]	5.5	7.5	10	13	—	—	
		660V	[kW]	5.5	7.5	8	11	18.5	18.5	
	1-phase 2-pole	110V	[kW]	0.75	1.1	1.2	1.6	—	—	
		220...240V	[kW]	1.3	2.2	2.5	3.2	4	4	
		380...440V	[kW]	2.2	3.7	4.5	5.5	8	16	
AC-4 Squirrel-cage motors: starting, reversing, electric braking, inching	3-phase 3-pole	220...240V	[kW]	0.75	1.5	3	4	5.5	5.5	
		380...415V	[kW]	1.5	2.2	3.7	5.5	7.5	7.5	
		440...550V	[kW]	1.5	2.2	3.7	5.5	7.5	11	
	1-phase 2-pole	110V	[kW]	0.18	0.37	0.55	0.75	—	—	
		240V	[kW]	0.37	0.75	1.5	2.2	—	—	
		380V	[kW]	0.75	1.1	1.8	3	—	—	

★ See standards compliance listed on <http://ab.rockwellautomation.com/Circuit-and-Load-Protection/Disconnect-Switches/Non-Visible-Blade/194R-Fused-Non-Fused-Disconnect-Switches#specifications>

Specifications

194L Control and Load Switches

Performance Data, Continued				12 A	16 A	20 A	25 A	32 A	40 A
IEC Applications, Continued									
AC-23A	Occasional switching of motors and other highly inductive loads (criterion for selecting main switches)	IEC-947 3-phase 3-pole	220...240V [kW]	2.2	3	4.5	5.5	11	11
			380...440V [kW]	4	5.5	7.5	11	18.5	22
			500V [kW]	5.5	7.5	10	13	—	—
			660V [kW]	5.5	7.5	8	11	22	22
	1-phase 2-pole		110V [kW]	0.75	1.1	1.2	1.6	—	—
			220...240V [kW]	1.3	2.2	2.5	3.2	5.5	5.5
Short-circuit ratings	Rated short-time current (1s) Strongest series fuse, not in enclosure Conditional rated short-circuit	(gL characteristic)	[kA _{rms}]	0.48	0.48	0.6	0.75	0.8	0.8
			[A]	20★	20★	20★	25★	35	40
			[kA]	6	6	5	5	5	5
Switch Rate	electrical		[ops/h]	120	120	120	120	120	120
CSA and UL Applications									
Rated Voltage U _e			[V AC]	600	600	600	600	600	600
Ampere Rating	Pilot Duty General Use	Contact class	[A]	A600 12	A600 16	— 20	— 25	— 32	— 40
Rated power P _e §		UL (CSA)		(FLA)	(FLA)	(FLA)	(FLA)		
Standard motor DOL rating (similar to AC-3)		3-phase 3-pole	120V [Hp]	1 (7.2)	1.5 (12)	2 (13.6)	3 (19.2)	5 (30.4)	5 (30.4)
			240V [Hp]	2 (6.8)	3 (9.6)	4 (12.4)	6 (18)	7.5 (22)	10 (28)
			480V [Hp]	5 (7.6)	7.5 (11)	8 (11.6)	12 (17)	20 (27)	25 (34)
			600V [Hp]	5 (6.1)	7.5 (9)	10 (11)	15 (17)	20 (22)	25 (27)
		1-phase 2-pole	120V [Hp]	0.5 (9.8)	.75 (13.8)	1 (16)	1.5 (20)	2 (24)	2 (24)
			240V [Hp]	1 (8.0)	1.5 (10.0)	2 (12)	3 (17)	5 (28)	5 (28)
			480V [Hp]	2 (6.0)	3 (8.5)	4 (11.2)	6 (17)	7.5 (21)	10 (26)
			600V [Hp]	3 (6.8)	3 (6.8)	5 (11.2)	7.5 (16)	10 (20)	15 (27)
Heavy motor load, reversing Rating (similar to AC-4) Max. back-up fuse	3-phase 3-pole	120V [Hp] 240V [Hp]	— —	— —	— —	— —	— —	— —	
Short Circuit Ratings	Maximum Short Circuit Prospective Fault Current Maximum Fuse Size		[kA]	5	5	5	5		
			[A]	35	55	60	80		
Switching Rate	electrical		[ops/h]	120	120	120	120	120	120

Mechanical Data

Performance Data		12/16 A	20/25 A	32/40 A
Protection class acc. to IEC 529	Handles Switch Bodies	IP66 IP20	IP66 IP20	IP66 IP20
Mechanical Endurance	[mil.ops]	1	1	1
Switching rate	mechanical [ops/h]	1200	1200	1200
Maximum Wire Gauges				
	rigid wire	AWG (2)18...12 [mm ²] (2)1...2.5	(2)16...10 (2)1.5...6	(2)12...8 (2)4...10
	fine strands	AWG (2)18...12 [mm ²] (2)1...2.5	(2)16...10 (2)1.5...4	(2)14...10 (2)2.5...6

Environmental Data

Performance Data		12/16/20/25 A	32/40 A
Ambient temperature			
	Operation	-25...+60 °C (-13...+140 °F)	-25...+60 °C (-13...+140 °F)
	Storage	-40...+80 °C (-40...+176 °F)	-40...+80 °C (-40...+176 °F)

★ Does not apply to switches in enclosure.

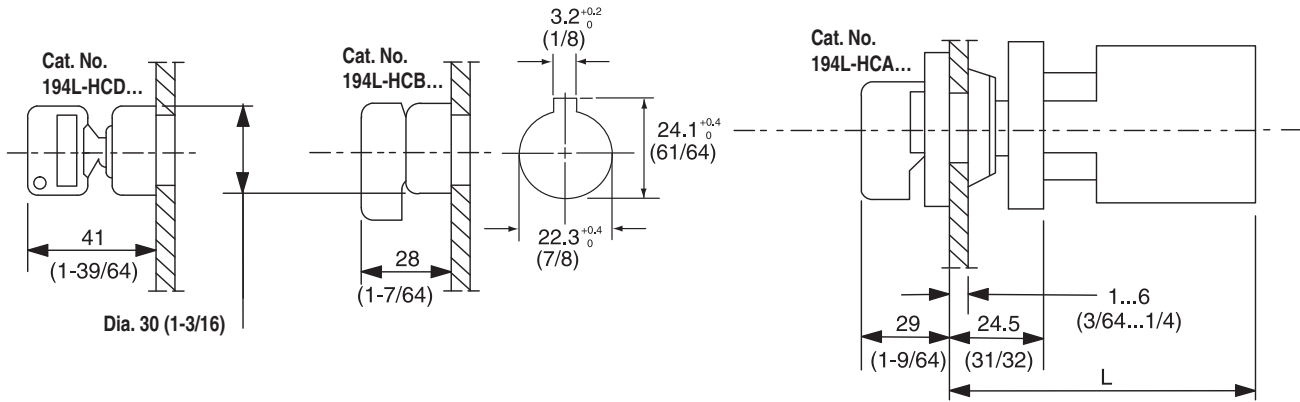
‡ Suitable for switching off-load (AC-20) above 660V, but only up to 660V for switches with screws at the rear.

§ See standards compliance listed on <http://ab.rockwellautomation.com/Circuit-and-Load-Protection/Disconnect-Switches/Non-Visible-Blade/194R-Fused-Non-Fused-Disconnect-Switches#specifications>

Approximate Dimensions

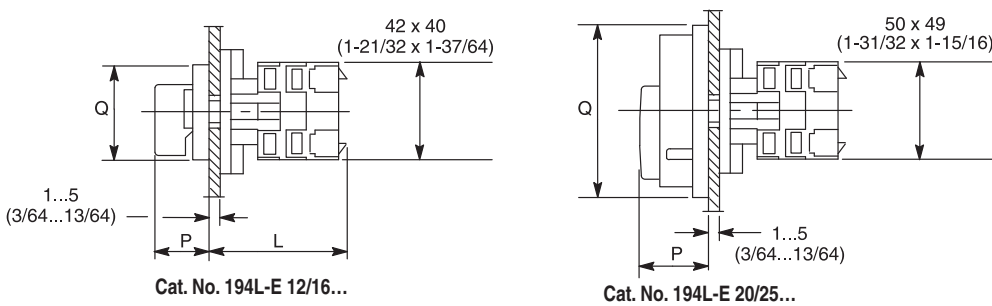
Dimensions are shown in millimeters (inches). Dimensions are not intended to be used for manufacturing purposes.

Cat. No. 194L-C... for Central Fixing (194L-HC...)

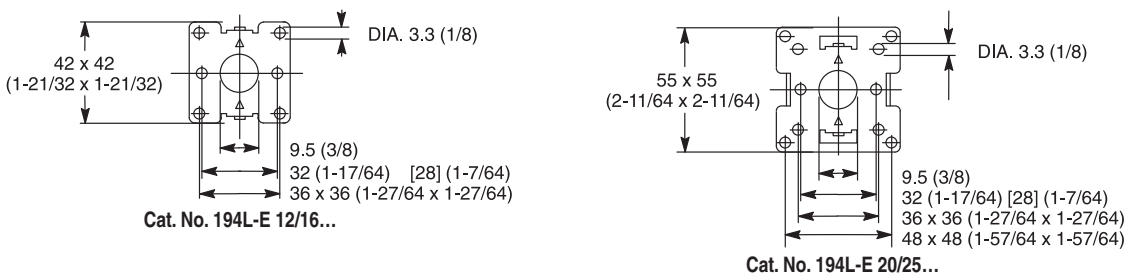


Cat. No.	L				
	No. of Contacts				
	1...2	3...4	5...6	7...8	9...10
194L-C32/40...	86 (3-25/64)	103.5 (4-5/64)	121 (4-49/64)	138.5 (5-29/64)	156 (6-9/64)

Cat. No. 194L... for Front (Door) Installation



Mounting Dimensions



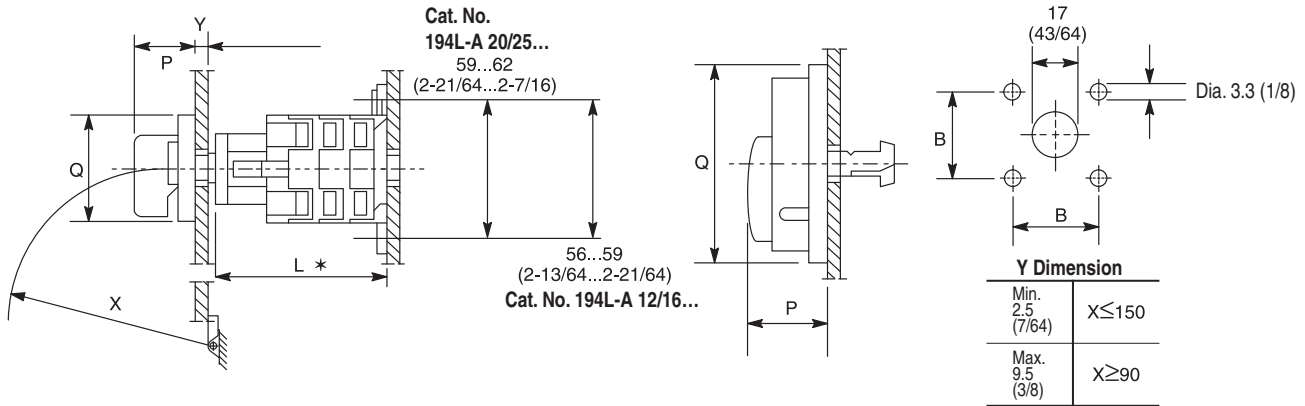
Cat. No.	L				
	No. of Contacts				
	1...2	3...4	5...6	7...8	9...10
194L-E12/16...	44 (1-47/64)	54 (2-1/8)	64 (2-33/64)	74 (2-29/32)	84 (3-5/16)
194L-E20/25...	44.5 (1-3/4)	57 (2-1/4)	69.5 (2-3/4)	82 (3-15/64)	94.5 (3-23/32)
194L-E32/40...	43 (1-11/16)	58.5 (2-5/16)	76 (2-63/64)	93.5 (3-11/16)	111 (4-3/8)

Control Knob

Cat. No.	P	Q
194L-HE4A...	28 (1-7/64)	48 (1-57/64) x 48 (1-57/64)
194L-HE4I...		48 (1-57/64) x 62 (2-7/16)
194L-HE4S...		64 (2-33/64) x 64 (2-33/64)
194L-HE6A...		64 (2-33/64) x 78 (3-5/64)
194L-HE6I...		67 (2-41/64) x 67 (2-41/64)
194L-HE6S...		
194L-HE6N...	34 (1-11/32)	
194L-HE6G...		

Dimensions are shown in millimeters (inches). Dimensions are not intended to be used for manufacturing purposes.

Cat. No. 194L-A... for Base/DIN Rail Installation



Cat. No.	L *			
	No. of Contacts			
	1...2	3...4	5...6	7...8
194L-A12/16...	58 (2-9/32)	68 (2-11/16)	78 (3-5/64)	88 (3-15/32)
194L-A20/25...	58 (2-9/32)	71.5 (2-13/16)	84 (3-5/16)	96.5 (3-51/64)
194L-A32/40...	67.5 (2-21/32)	85 (3-11/32)	102.5 (4-1/32)	120 (4-47/64)

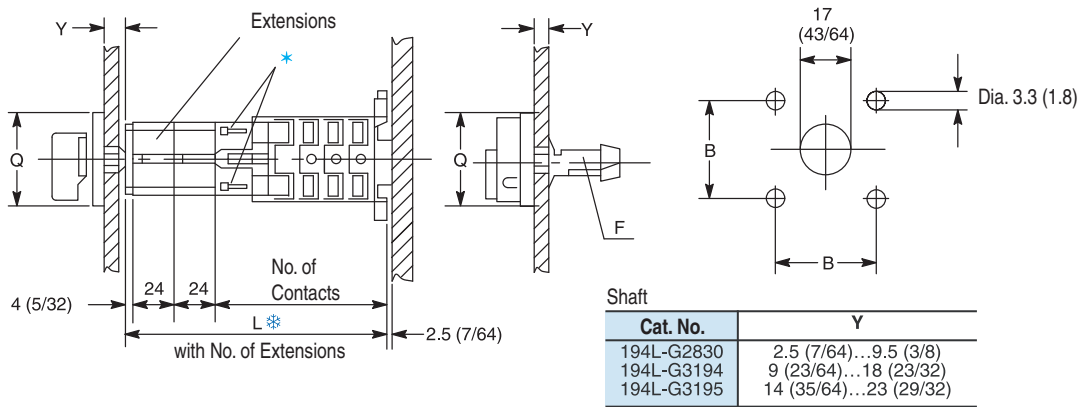
Control Knob

Cat. No.	P	B	Q
194L-HE4A...	28 (1-7/64)	36 (1-27/64)	48 (1-57/64) x 48 (1-57/64)
194L-HE4I...			48 (1-57/64) x 62 (2-7/16)
194L-HE4S...		34 (1-11/32)	48 (1-57/64)
194L-HE6A...	64 (2-33/64) x 78 (3-5/64)		
194L-HE6I...	67 (2-41/64) x 67 (2-41/64)		
194L-HE6S...			
194L-HE6N...			
194L-HE6G...			

★ With DIN 46 277 (35) Rail + 2.5 mm (7/64)

Dimensions are shown in millimeters (inches). Dimensions are not intended to be used for manufacturing purposes.

Cat. No. 194L-A... With Shaft Extension Cat. No. 194L-G2853



No. of Extensions	Cat. No. 194L-A12/16... 10mm (0.39)				Cat. No. 194L-A20/25... 12.5mm (0.49)				Cat. No. 194L-A32/40			
	L											
	No. of Contacts											
	1...2	3...4	5...6	7...8	1...2	3...4	5...6	7...8	1...2	3...4	5...6	7...8
With 1 extension	82 (3-15/64)	92 (3-5/8)	102 (4-1/64)	112 (4-13/32)	83 (3-17/64)	95.5 (3-49/64)	108 (4-1/4)	120.5 (4-3/4)	91.5 (3-15/64)	108 (4-1/4)	126.5 (5-63/64)	144 (6-43/64)
With 2 extensions	106 (4-11/64)	116 (4-37/64)	126 (4-31/32)	136 (5-23/64)	107 (4-7/32)	119.5 (4-45/64)	132 (5-13/64)	144.5 (5-11/16)	115.5 (5-35/64)	133 (5-15/64)	150.5 (6-5/16)	168 (7-5/8)
With 3 extensions	130 (5-1/8)	140 (5-33/64)	150 (5-29/32)	160 (6-19/64)	131 (5-5/32)	143.5 (5-21/32)	156 (6-9/64)	168.5 (6-5/8)	135.5 (5-11/32)	157 (6-3/16)	174.5 (7-7/8)	182 (8-9/16)
With 4 ★ extensions	154 (6-1/16)	164 (6-15/32)	174 (6-55/64)	184 (7-15/64)	155 (6-7/64)	167.5 (6-19/32)	180 (7-3/32)	192.5 (7-37/64)	163.5 (6-7/16)	181 (7-1/8)	198.5 (8-53/64)	216 (9-33/64)
With 5 ★ extensions	178 (7-1/64)	188 (7-13/32)	198 (7-51/64)	208 (8-3/16)	179 (7-3/64)	191.5 (7-35/64)	204 (8-1/32)	216.5 (8-33/64)	187.5 (7-3/8)	205 (8-5/64)	222.5 (9-49/64)	240 (9-29/64)
With 6 ★ extensions	202 (7-61/64)	212 (8-23/64)	222 (8-3/4)	232 (9-1/8)	203 (7-63/64)	215.5 (8-31/64)	228 (8-63/64)	240.5 (9-15/32)	211.5 (8-21/64)	229 (12)	246.5 (10-23/32)	264 (10-13/32)

Control Knob

Cat. No.	Q	B
194L-HE4A...	48 (1-57/64) x 48 (1-57/64)	36 (1-27/64)
194L-HE4I...		
194L-HE6A...	64 (2-33/64) x 64 (2-33/64)	48 (1-57/64)
194L-HE6I...		
194L-HE6N...		
194L-HE6G...	67 (2-41/64) x 67 (2-41/64)	

★ When more than four modules are used, attach the first one to the switch body using the screws supplied with the extension (Cat. No. 194L-G2853).

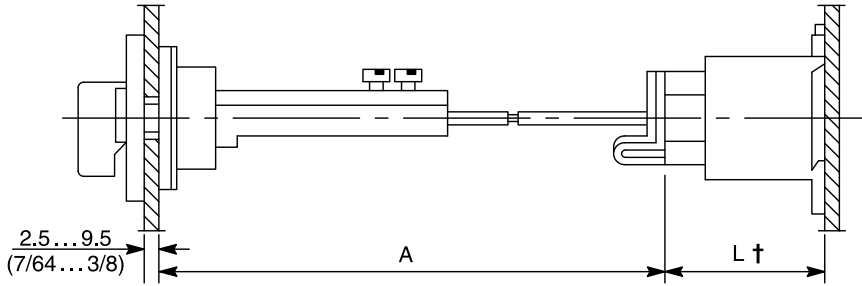
‡ Mounting on DIN 46 277 (35) Rails.

Approximate Dimensions

194L Control and Load Switches

Dimensions are shown in millimeters (inches). Dimensions are not intended to be used for manufacturing purposes.

Cat. No. 194L-A... With Metal Shafts



Cat. No.	A
194L-G3393...	110 (4-21/64)...235(9-1/4)
194L-G3394...	230 (9-1/16)...350 (13-25/32)

Cat. No.	L* No. of Contacts			
	1...2	3...4	5...6	7...8
	194L-A12/16...	54 (2-1/8)	64 (2-33/64)	74 (2-29/32)
194L-A20/25...	55 (2-11/64)	67.5 (2-21/32)	80 (3-5/32)	92.5 (3-41/64)
194L-A32/40...	63.5 (2-31/64)	81 (3-3/16)	88.5 (3-7/8)	116 (4-9/16)

No. of Extension Modules	Required End Shaft	Enclosure Mounting Depth§	
		Cat. No. 194L-A12/16...	Cat. No. 194L-A20/25...
0	44 (1-47/64) *	71.5...77.5 (2-13/16...3-1/16)	75...80.5 (2-61/64...3-11/64)
	52 (2-3/64)	77...87 (3-1/32...3-27/64)	80...90 (3-5/32...3-35/64)
	57 (2-1/4)	82...92 (3-15/64...3-5/8)	85...95 (3-11/32...3-3/4)
1	44 (1-47/64) *	95.5...101.5 (3-49/64...4)	99...105 (3-29/32...4-9/64)
	52 (2-3/64)	97.5...111 (3-27/32...4-3/8)	101...114.5 (3-63/64...4-33/64)
	57 (2-1/4)	102.5...116 (4-3/64...4-37/64)	106...119.5 (4-11/64...4-45/64)
2	44 (1-47/64) *	119.5...125.5 (4-45/64...4-61/64)	123...129 (4-27/32...5-5/64)
	52 (2-3/64)	121.5...135 (4-51/64...5-5/16)	125...138.5 (4-59/64...5-29/64)
	57 (2-1/4)	126.5...140 (4-63/64...5-33/64)	130...143.5 (5-1/8...5-21/32)
3	44 (1-47/64) *	143.5...149.5 (5-21/32...5-57/64)	147...153 (5-51/64...6-1/32)
	52 (2-3/64)	145.5...159 (5-47/64...6-17/64)	149...162.5 (5-7/8...6-13/32)
	57 (2-1/4)	150.5...164 (5-15/16...6-15/32)	154...167.5 (6-1/16...6-19/32)
4	44 (1-47/64) *	167.5...173.5 (6-19/32...6-27/32)	171...177 (6-47/64...6-31/32)
	52 (2-3/64)	169.5...183 (6-43/64...7-13/64)	173...186.5 (6-13/16...7-11/32)
	57 (2-1/4)	174.5...188 (6-7/8...7-13/32)	178...191.5 (7-1/64...7-35/64)
5	44 (1-47/64) *	191.5...197.5 (7-35/64...7-25/32)	195...201 (7-43/64...7-59/64)
	52 (2-3/64)	193.5...207 (7-5/8...8-5/32)	197...210.5 (7-49/64...8-19/64)
	57 (2-1/4)	198.5...212 (7-53/64...8-23/64)	202...215.5 (7-61/64...8-31/64)
6	44 (1-47/64) *	215.5...221.5 (8-31/64...8-23/32)	219...225 (8-5/8...8-55/64)
	52 (2-3/64)	217.5...231 (8-37/64...9-3/32)	221...234.5 (8-45/64...9-15/64)
	57 (2-1/4)	222.5...236 (8-49/64...9-19/64)	226...239.5 (8-29/32...9-7/16)

* When more than 4 modules are used, attach the first one to the switch body using the screws supplied with the extension (Cat. No. 194L-G2853).

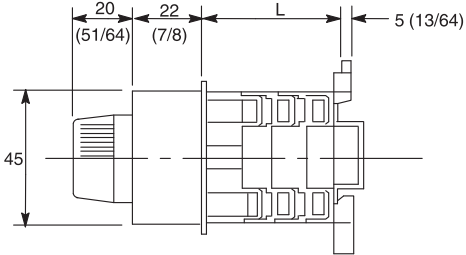
§ For DIN Rail-mounted devices, remember to deduct the offset distance provided by the rail. For example, deduct 2.5 mm (7/64 in.) from the mounting depth for Bulletin 194L switch body mounted on DIN 46277 rail.

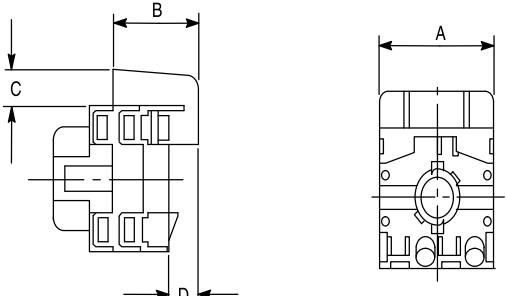
* One 44 mm (1-47/64 in) end shaft is supplied with all Bulletin 194L Switch Bodies.

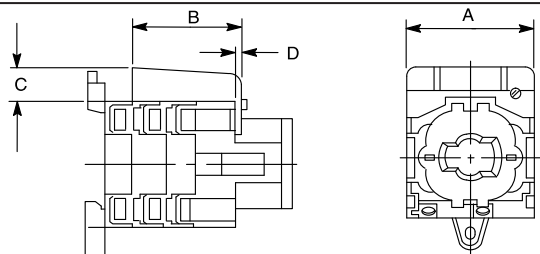
Modular Shaft Extensions (Cat. No. 194L-G2853)

Select No. of Extension Modules and Shaft for use with enclosures.

Dimensions are shown in millimeters (inches). Dimensions are not intended to be used for manufacturing purposes.

Cat. No. 194L-A... With Cat. No. 194L-HE4P... Installation on DIN 46277 (35 mm) Rails + 2.5 mm (7/64 in.) 	Cat. No.	L			
		No. of Contacts			
		1...2	3...4	5...6	7...8
	194L-A12/16...	35 (1-3/8)	45 (1-49/64)	55 (2-11/64)	65 (2-9/16)
	194L-A20/25...	33.5 (1-21/64)	48 (1-57/64)	60.5 (2-3/8)	73 (2-7/8)
	194L-A32/40...	43 (1-11/16)	61 (2-13/32)	79 (3-7/64)	97 (3-53/64)

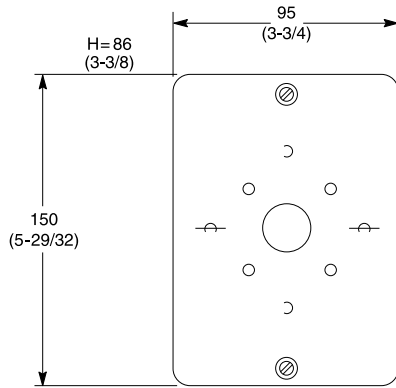
Cat. No. 194L-E... With Terminal Cover 	Cat. No.	A	B	C	D	
		194L-E12/16...	40 (1-37/64)	42.5 (1-43/64)	12 (15/32)	2.5 (7/64)
		194L-E20/25...	49 (1-15/16)	37.5 (1-31/64)	12 (15/32)	2.5 (7/64)
	194L-E32/40...	59 (2-21/64)	50 (1-31/32)	15 (19/32)	2.5 (7/64)	

Cat. No. 194L-A... With Terminal Cover 	Cat. No.	A	B	C	D	
		194L-A12/16...	40 (1-37/64)	42.5 (1-43/64)	12 (15/32)	2.5 (7/64)
		194L-A20/25...	49 (1-15/16)	37.5 (1-31/64)	12 (15/32)	2.5 (7/64)
	194L-A32/40...	63.5 (2-1/2)	49 (1-53/64)	12 (15/32)	2 (5/64)	

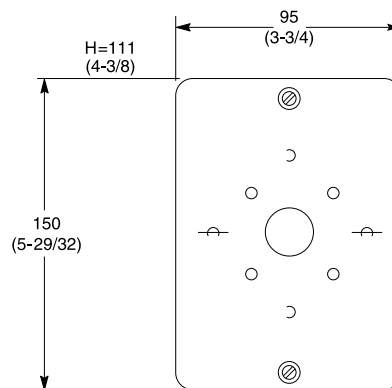
Dimensions are shown in millimeters (inches). Dimensions are not intended to be used for manufacturing purposes.

Enclosure

Cat. No. 194L-G3572...Cat. No. 194L-G3579



**Cat. No. 194L-G3572/G3576
G3574/G3578**



**Cat. No. 194L-G3573/G3577
G3575/G3579**

Important User Information

Read this document and the documents listed in the additional resources section about installation, configuration, and operation of this equipment before you install, configure, operate, or maintain this product. Users are required to familiarize themselves with installation and wiring instructions in addition to requirements of all applicable codes, laws, and standards.

Activities including installation, adjustments, putting into service, use, assembly, disassembly, and maintenance are required to be carried out by suitably trained personnel in accordance with applicable code of practice.

If this equipment is used in a manner not specified by the manufacturer, the protection provided by the equipment may be impaired.

In no event will Rockwell Automation, Inc. be responsible or liable for indirect or consequential damages resulting from the use or application of this equipment.

The examples and diagrams in this manual are included solely for illustrative purposes. Because of the many variables and requirements associated with any particular installation, Rockwell Automation, Inc. cannot assume responsibility or liability for actual use based on the examples and diagrams.

No patent liability is assumed by Rockwell Automation, Inc. with respect to use of information, circuits, equipment, or software described in this manual.

Reproduction of the contents of this manual, in whole or in part, without written permission of Rockwell Automation, Inc., is prohibited.

Documentation Feedback

Your comments will help us serve your documentation needs better. If you have any suggestions on how to improve this document, complete this form, publication [RA-DU002](#), available at <http://www.rockwellautomation.com/literature/>.

Allen-Bradley, Rockwell Software, Rockwell Automation, and LISTEN. THINK. SOLVE are trademarks of Rockwell Automation, Inc.
Trademarks not belonging to Rockwell Automation are property of their respective companies.

Rockwell Otomasyon Ticaret A.Ş., Kar Plaza İş Merkezi E Blok Kat:6 34752 İçerenköy, İstanbul, Tel: +90 (216) 5698400

www.rockwellautomation.com

Power, Control and Information Solutions Headquarters

Americas: Rockwell Automation, 1201 South Second Street, Milwaukee, WI 53204-2496 USA, Tel: (1) 414.382.2000, Fax: (1) 414.382.4444
Europe/Middle East/Africa: Rockwell Automation NV, Pegasus Park, De Kleetlaan 12a, 1831 Diegem, Belgium, Tel: (32) 2 663 0600, Fax: (32) 2 663 0640
Asia Pacific: Rockwell Automation, Level 14, Core F, Cyberport 3, 100 Cyberport Road, Hong Kong, Tel: (852) 2887 4788, Fax: (852) 2508 1846

Publication 194-TD002B-EN-P — May 2017

Supersedes Publication 194-TD002A — August 2014

Copyright © 2017 Rockwell Automation, Inc. All rights reserved. Printed in the U.S.A.