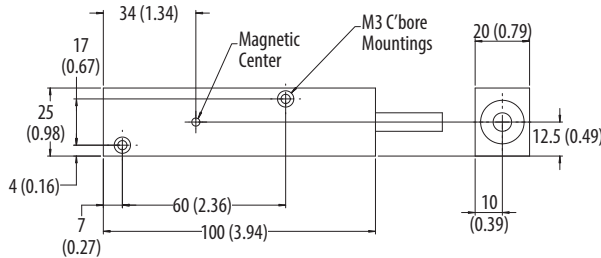


Sigma Maglock

MPS34D

Installation

The remote end of the integral cable must be terminated in a connection facility suitable for the conditions of use.



Earthing should be provided by connection of the braid of the cable or by the mounting to adjacent metal work.

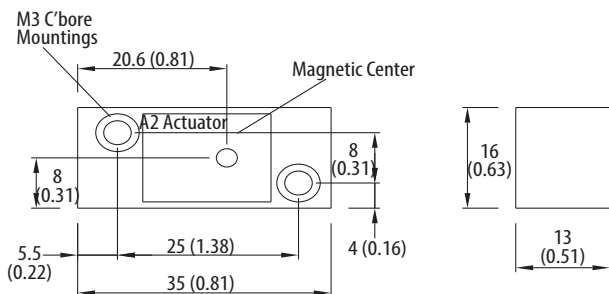
Technical Specifications

	Contact Material	Power	Maximum Volts	Maximum Current	Cat. No.
MPS34D	Tungsten	40 W/VA (3 W/VA minimum)	250V AC/DC	1.5 AC/DC	443S-M566101

Housing Material	Stainless steel
Ingress Protection	IP68
Operating Temperature [C (F)]	-40 ... +60° (-40 ... 140°)
Mechanical Life	500 million operations typical
Electrical Life	Subject to switched load
Cable Material	3 m (9.8 ft) 3-core copper braided cross-linked polyolefin
Connections	
Weight	0.8 Kg (1 lb 12.2 oz)

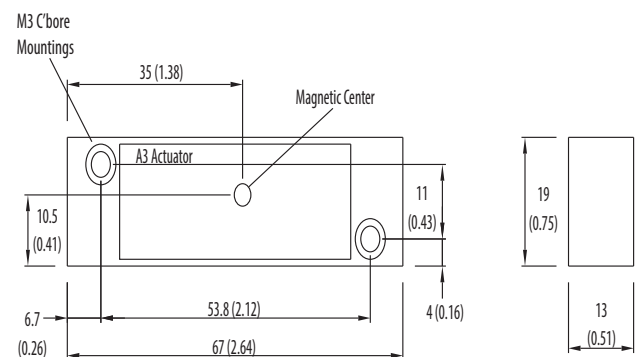
Actuator Type [mm (in.)]

440S-M545005



Suitable for Switch Type	Operating Distance	Differential	
		Maximum	Typical
MPS24D/DH, MPS34D/DH	3 (0.12)	16 (0.63)	11 (0.43)

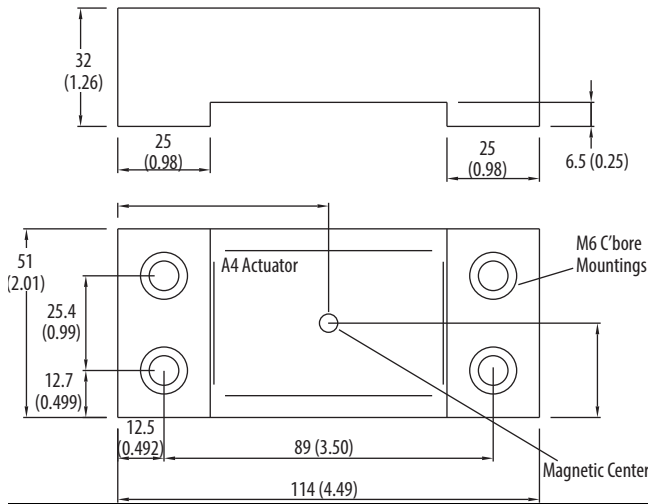
440S-M545008



Suitable for Switch Type	Operating Distance	Differential	
		Maximum	Typical
MPS24D/DH, MPS34D/DH	16 (0.63)	25 (0.98)	17 (0.67)

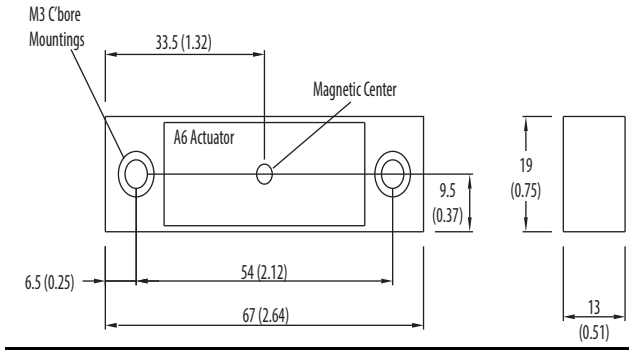
Non-magnetic mounting screws should be used.

440S-M545009



Suitable for Switch Type	Operating Distance	Differential	
		Maximum	Typical
MPS24D/DH, MPS34D/DH	83 (3.27)	63 (2.48)	50 (1.97)
MPS26D/DH, MPS36D/DH	27 (1.06)	42 (1.65)	32 (1.26)

440S-M545013



Suitable for Switch Type	Operating Distance	Differential	
		Maximum	Typical
MPS24D/DH, MPS34D/DH	44 (1.73)	42 (1.65)	25 (0.98)
MPS26D/DH, MPS36D/DH	15 (0.59)	29 (1.14)	17 (0.67)

Non-magnetic mounting screws should be used.

Rockwell Automation maintains current product environmental information on its website at <http://www.rockwellautomation.com/rockwellautomation/about-us/sustainability-ethics/product-environmental-compliance.page>.

Allen-Bradley, Rockwell Software, and Rockwell Automation are trademarks of Rockwell Automation, Inc. Trademarks not belonging to Rockwell Automation are property of their respective companies.

www.rockwellautomation.com

Power, Control and Information Solutions Headquarters

Americas: Rockwell Automation, 1201 South Second Street, Milwaukee, WI 53204-2496 USA, Tel: (1) 414.382.2000, Fax: (1) 414.382.4444
 Europe/Middle East/Africa: Rockwell Automation NV, Pegasus Park, De Kleetlaan 12a, 1831 Diegem, Belgium, Tel: (32) 2 663 0600, Fax: (32) 2 663 0640
 Asia Pacific: Rockwell Automation, Level 14, Core F, Cyberport 3, 100 Cyberport Road, Hong Kong, Tel: (852) 2887 4788, Fax: (852) 2508 1846
 Publication 443S-IN002A-EN-P - July 2015