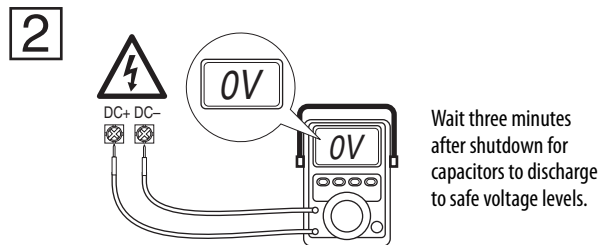
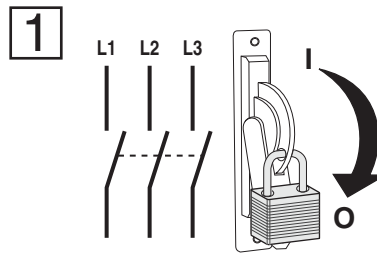
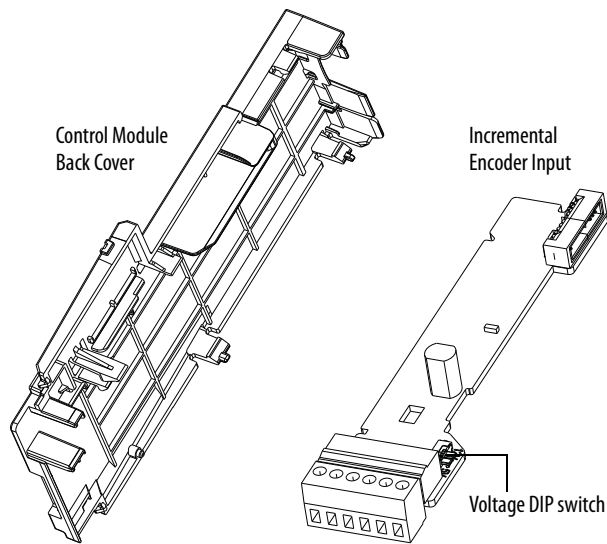


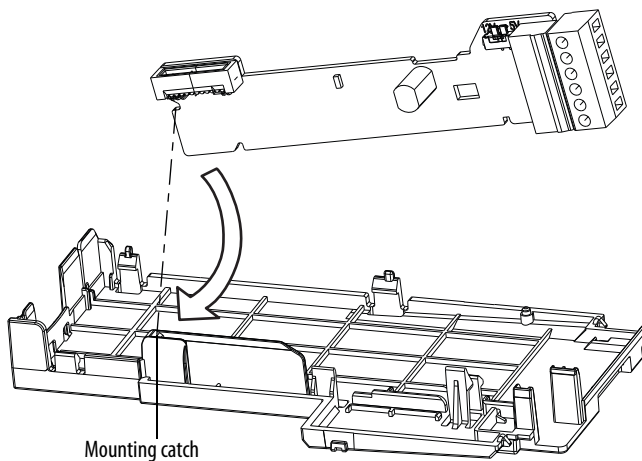


# PowerFlex 525 Incremental Encoder Input

Catalog Number: 25-ENC-1

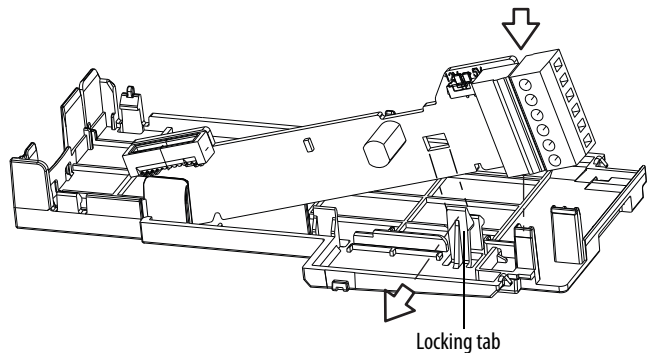


**3** Mount the Incremental Encoder onto the Control Module Back Cover

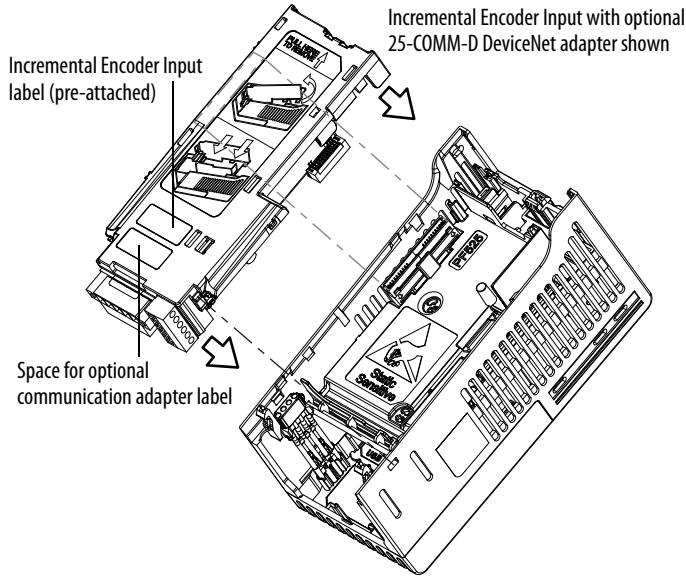


Note: Incremental Encoder Input is for PowerFlex 525 only. You can install both the communication adapter and optional Incremental Encoder Input on the same Control Module Back Cover.

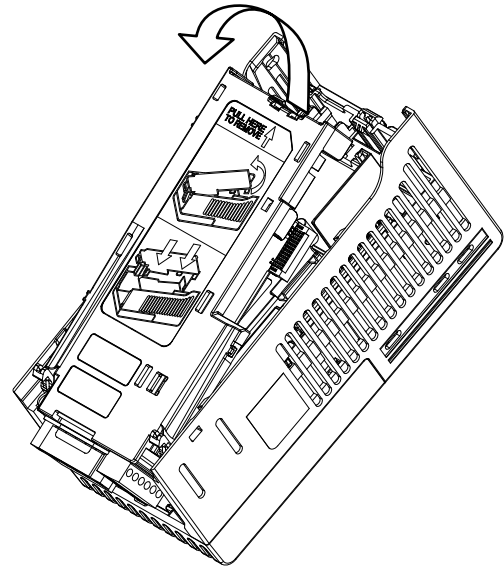
**4** Lock the Incremental Encoder onto the Control Module Back Cover



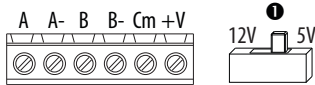
### 5 Attach the Control Module Back Cover



### How to Remove the Control Module Back Cover if Required



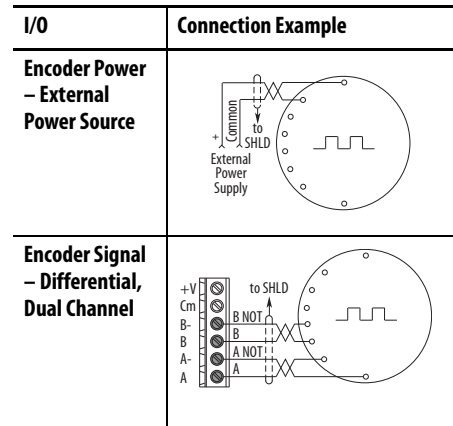
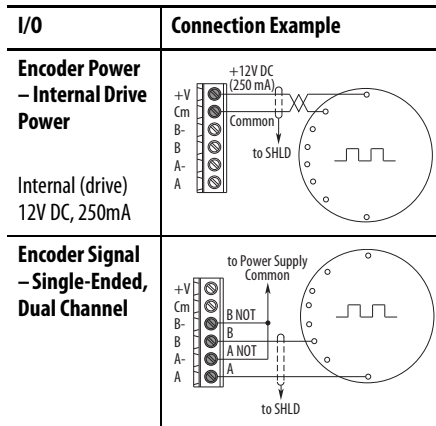
### 6 Wiring the Incremental Encoder



Maximum Wire Size	Minimum Wire Size	Torque
2.08 mm <sup>2</sup> (14 AWG)	0.08 mm <sup>2</sup> (28 AWG)	0.18...0.22 Nm (1.56...1.9 lb-in)

No.	Signal	Description
A	Encoder A	Single channel, pulse train or quadrature A input.
A-	Encoder A (NOT)	
B	Encoder B	Quadrature B input.
B-	Encoder B (NOT)	
Cm	Power Return	Internal power source 250 mA (isolated).
+V	5...12V Power <sup>(1)</sup>	
1	Output	DIP switch selects 12 or 5 volt power supplied at terminals "+V" and "Cm" for the encoder.

(1) If Encoder requires 24V power, it must be supplied by an external power source.



U.S. Allen-Bradley Drives Technical Support - Tel: (1) 262.512.8176, Fax: (1) 262.512.2222, E-mail: support@drives.ra.rockwell.com  
 Online: [www.ab.com/support/abdrives](http://www.ab.com/support/abdrives)

Allen-Bradley, Rockwell Software, Rockwell Automation, PowerFlex, and TechConnect are trademarks of Rockwell Automation, Inc.  
 Trademarks not belonging to Rockwell Automation are property of their respective companies.

[www.rockwellautomation.com](http://www.rockwellautomation.com)

#### Power, Control and Information Solutions Headquarters

Americas: Rockwell Automation, 1201 South Second Street, Milwaukee, WI 53204-2496 USA, Tel: (1) 414.382.2000, Fax: (1) 414.382.4444  
 Europe/Middle East/Africa: Rockwell Automation NV, Pegasus Park, De Kleetlaan 12a, 1831 Diegem, Belgium, Tel: (32) 2 663 0600, Fax: (32) 2 663 0640  
 Asia Pacific: Rockwell Automation, Level 14, Core F, Cyberport 3, 100 Cyberport Road, Hong Kong, Tel: (852) 2887 4788, Fax: (852) 2508 1846