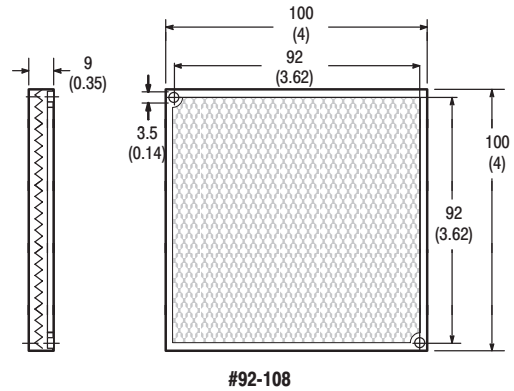


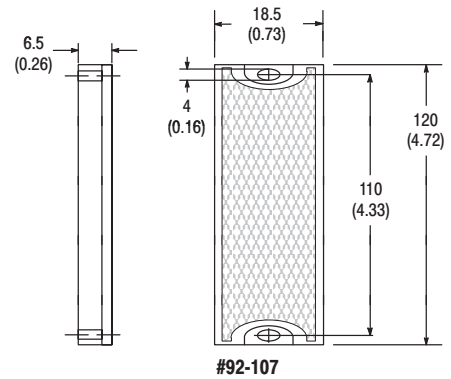
Specifications

Dimensions—mm (inches)

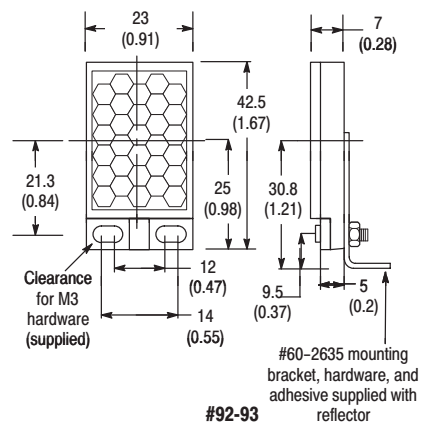
Catalog Number	92-108
Description	Reflector, 100mm x 100mm (4 x 4in) square with mounting tabs.
Suitable for Polarized Sensor	Yes
Cube Style	Corner cube
Optimum Range ^①	150mm (6in) to 3.0m (10ft)
Recommended Application	Suitable for general purpose applications up to 65°C (150°F).



Catalog Number	92-107
Description	Reflector, 18.5 x 120mm (0.73 x 4.72in) rectangular with mounting tabs.
Suitable for Polarized Sensor	Yes
Cube Style	Corner cube
Optimum Range ^①	51mm (2in) to 1.5m (5ft)
Recommended Application	Suitable for general purpose applications up to 65°C (150°F).



Catalog Number	92-93
Description	Reflector, 23 x 42.5mm (0.91 x 1.67in) rectangular with mounting tabs and bracket. Right angle bracket and adhesive tape.
Suitable for Polarized Sensor	Yes
Cube Style	Corner cube
Optimum Range ^①	51mm (2in) and 150mm (6in)
Recommended Application	Suitable for general purpose applications up to 55°C (130°F).



① Optimum range varies with sensor optics. See table on page 1-393 for reflectivity performance.

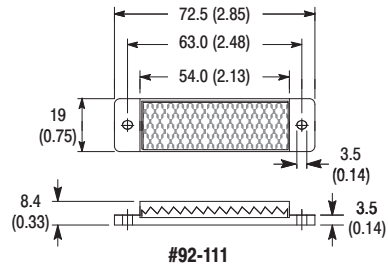
Accessories

Reflectors, Reflective Tape

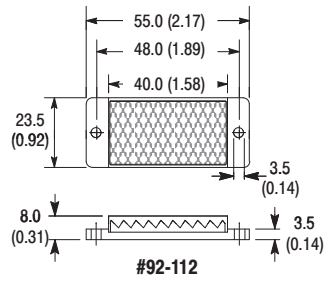
Specifications

Dimensions—mm (inches)

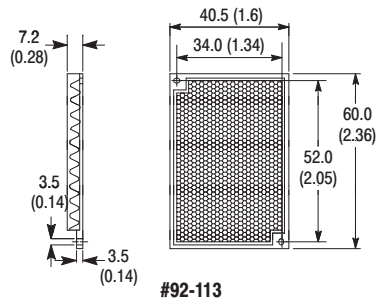
Catalog Number	92-111
Description	Reflector, 19 x 72.5mm (0.75 x 2.85in) rectangular with mounting tabs.
Suitable for Polarized Sensor	Yes
Cube Style	Corner cube
Optimum Range ❶	
Recommended Application	Suitable for general purpose applications up to 55°C (130°F).



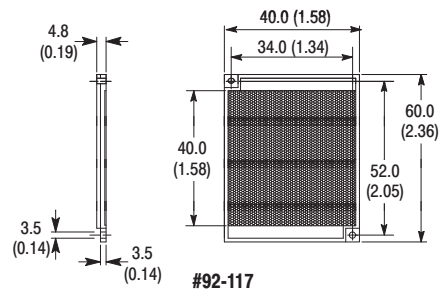
Catalog Number	92-112
Description	Reflector, 23.5 x 55mm (0.924 x 2.17in) rectangular with mounting tabs.
Suitable for Polarized Sensor	Yes
Cube Style	Corner cube
Optimum Range ❶	
Recommended Application	Suitable for general purpose applications up to 55°C (130°F).



Catalog Number	92-113
Description	Reflector, 40.5 x 60mm (1.6 x 2.36in) rectangular with mounting tabs.
Suitable for Polarized Sensor	Yes
Cube Style	Corner cube
Optimum Range ❶	
Recommended Application	Suitable for general purpose applications up to 55°C (130°F).



Catalog Number	92-117
Description	Reflector, 40.5 x 60mm (1.6 x 2.36in) rectangular with mounting tabs.
Suitable for Polarized Sensor	Yes
Cube Style	Corner cube
Optimum Range ❶	
Recommended Application	Suitable for general purpose applications up to 55°C (130°F). The 92-117 is also suited for laser-based photoelectric sensors such as LaserSight.

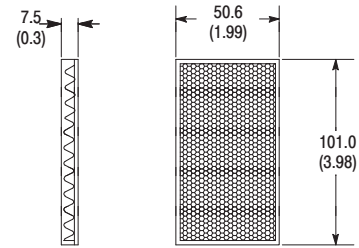


❶ Optimum range varies with sensor optics. See table on page 1-393 for reflectivity performance.

Specifications

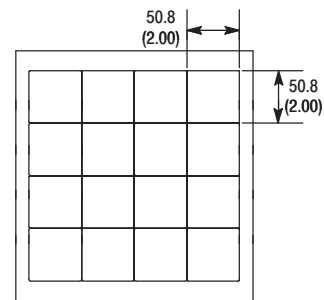
Dimensions—mm (inches)

Catalog Number	92-119
Description	Reflector, 51 x 101mm (2 x 4in) rectangular with adhesive backing.
Suitable for Polarized Sensor	Yes
Cube Style	Corner cube
Optimum Range ❶	
Recommended Application	Suitable for general purpose applications up to 65°C (150°F).



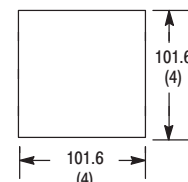
#92-119

Catalog Number	92-97
Description	Reflective tape, 51mm (2in) square, sheet of 16 pieces with adhesive backing.
Suitable for Polarized Sensor	Yes
Cube Style	Glass bead
Optimum Range ❶	150mm (6in) to 1.5m (5ft)
Recommended Application	Suitable for general purpose applications up to 121°C (250°F). Also suitable for polarized retroreflective sensors.



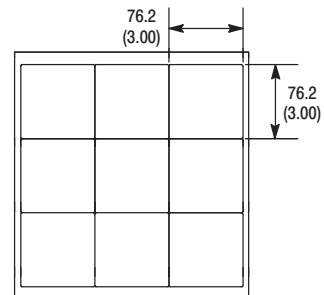
#92-97

Catalog Number	92-91
Description	Reflective tape, 100 x 100mm (4 x 4in) square.
Suitable for Polarized Sensor	No
Cube Style	Glass bead
Optimum Range ❶	150mm (6in) to 1.5m (5ft)
Recommended Application	Suitable for general purpose applications up to 65°C (150°F). The 92-91 is intended for use in high temperature applications up to 480°C (900°F) but not with polarized retroreflective sensors.



#92-91

Catalog Number	92-98
Description	Reflective tape, 76mm (2.75in) square, sheet of 9 pieces with adhesive backing.
Suitable for Polarized Sensor	Yes
Cube Style	Glass bead
Optimum Range ❶	150mm (6in) to 1.5m (5ft)



#92-98

❶ Optimum range varies with sensor optics. See table on page 1-393 for reflectivity performance.

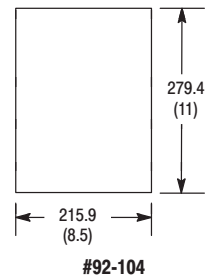
Accessories

Reflectors, Reflective Tape

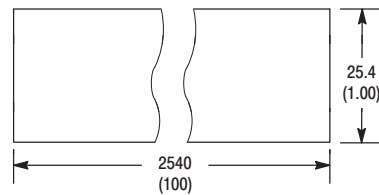
Specifications

Dimensions—mm (inches)

Catalog Number	92-104
Description	Reflective tape, 101 x 101mm (8.5 x 11in) sheet with adhesive backing.
Suitable for Polarized Sensor	Yes
Cube Style	Glass bead
Optimum Range❶	200mm (8in) to 1.5m (5ft)
Recommended Application	Suitable for general purpose applications up to 60°C (140°F) with polarized retroreflective sensors.



Catalog Number	92-99
Description	Reflective tape, roll of 25 x 2540mm (1 x 100in).
Suitable for Polarized Sensor	Yes
Cube Style	Glass bead
Optimum Range❶	150mm (6in) to 1.0m (40in)
Recommended Application	Suitable for general purpose applications up to 65°C (150°F).



Catalog Number	92-100
Description	Reflective tape, 25 x 2540mm (1 x 100in).
Suitable for Polarized Sensor	No
Cube Style	Glass bead
Optimum Range❶	150mm (6in) to 1.0m (40in)
Recommended Application	Suitable for general purpose applications up to 79°C (175°F).

❶ Optimum range varies with sensor optics. See table on page 1-393 for reflectivity performance.