

Bulletin 800F  
**22.5 mm Push Buttons**  
 Product Selection

1-Hole Enclosure E-Stop Station



Cat. No. 800F-1YP4

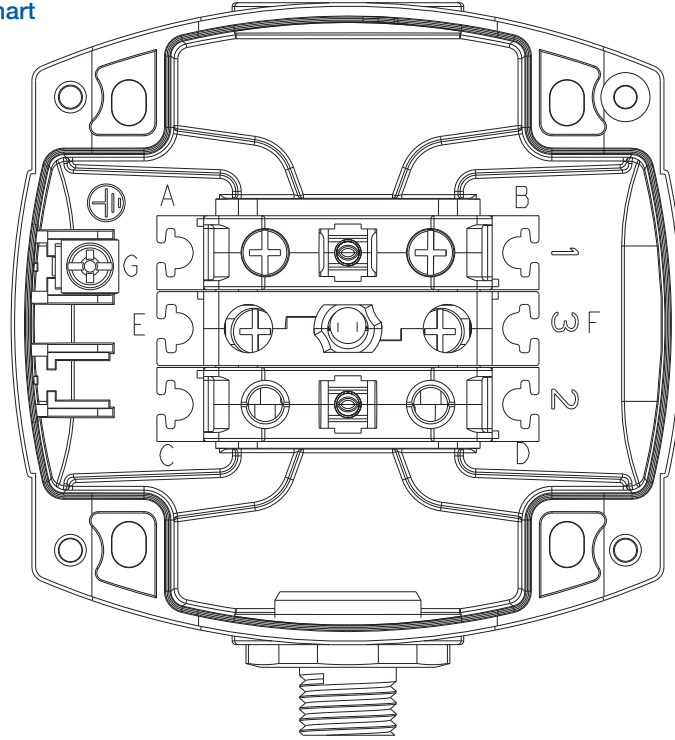
Enclosure Material	Quick Connect	Operator Type	Illumination Voltage	Contact Configuration	Cat. No.		
					PG Knockouts	Metric Knockouts	
Yellow Plastic	N/A	Twist-to-Release 40 mm	Non-Illuminated	1 N.C.	<b>800F-1YP1</b>	<b>800F-1YM1</b>	
				1 N.O. / 1 N.C.	<b>800F-1YP2</b>	<b>800F-1YM2</b>	
				2 N.C.	<b>800F-1YP3</b>	<b>800F-1YM3</b>	
		1 N.C.		800F-1YP4	800F-1YM4		
		1 N.O. / 1 N.C.		800F-1YP5	<b>800F-1YM5</b>		
		2 N.C.		800F-1YP6	800F-1YM6		
		2 N.C.		800F-1YP7	—		
		1 N.O. / 2 N.C.		800F-1YP8	—		
		Twist-to-Release 40 mm	24V AC/DC	1 N.C.	—	800F-1YML1	
			120V AC		—	800F-1YML2	
			240V AC		—	800F-1YML3	
		Red half dome	Non-illuminated	1 N.C.	800F-1YP1HD	800F-1YM1HD	
	1 N.O./1 N.C.			800F-1YP2HD	800F-1YM2HD		
	2 N.C.			800F-1YP3HD	800F-1YM3HD		
	1 N.C.		24V AC/DC	—	800F-1YML1HD		
			120V AC	—	800F-1YML2HD		
			240V AC	—	800F-1YML3HD		
	AC Micro*	5-pin	Twist-to-Release 40 mm	Non-Illuminated	2 N.C. — Low voltage	—	800F-1YMQ53V
		6-pin			1 N.O. / 2 N.C.	—	800F-1YMQA
	DC Micro*	4-pin	Twist-to-Release 40 mm	Non-Illuminated/EMO/Guard	1 N.C.	—	800F-NX1
					1 N.C.	—	800F-1YMQ1
				Non-Illuminated	1 N.O. / 1 N.C.	—	800F-1YMQ2
					2 N.C.	—	800F-1YMQ3
	Mini Receptacle *	4-pin	Twist-to-Release 40 mm	Non-Illuminated/EMO/Guard	2 N.C.	—	800F-1YMQ3VEG
Non-Illuminated					—	800F-1YMQ3V	
6-pin		Non-Illuminated		1 N.C.	—	800F-1YMQ41	
				24V AC/DC	1 N.O. / 1 N.C.	—	800F-1YMQ44
		Non-Illuminated		24V AC/DC	1 N.O./1 N.C.	—	800F-1YMQ4
				120V AC	1 N.O. / 1 N.C.	—	800F-1YMQ5
240V AC	1 N.O. / 1 N.C.	—	800F-1YMQ6				
Grey Metal	N/A	Twist-to-Release 40 mm	Non-Illuminated	1 N.C.	—	800F-1MM1	
		Twist-to-Release 40 mm	Non-Illuminated	1 N.O. / 1 N.C.	—	800F-1MM2	
		Twist-to-Release 40 mm	Non-Illuminated	2 N.C.	—	800F-1MM3	
		Key Release 40 mm	Non-Illuminated	1 N.C.	—	800F-1MM4	
		Key Release 40 mm	Non-Illuminated	1 N.O. / 1 N.C.	—	800F-1MM5	
		Key Release 40 mm	Non-Illuminated	2 N.C.	—	800F-1MM6	
	Mini Receptacle *	6-pin	Twist-to-Release 40 mm	24V AC/DC	1 N.O./1 N.C.	—	800F-1MYMQ4
			Twist-to-Release 40 mm	120V AC	1 N.O./1 N.C.	—	800F-1MYMQ5
			Twist-to-Release 40 mm	240V AC	1 N.O./1 N.C.	—	800F-1MYMQ6

\* Please reference Assembled Station Pin Out Chart on page 10-126

# 22.5 mm Push Buttons

Approximate Dimensions

## Assembled Station Pin Out Chart



Cat. No.	Connector Style / No. of Pins	Location 1	A to Pin #	B to Pin #	Location 2	C to Pin #	D to Pin #	Location 3	E to Pin #	F to Pin #	G to Pin #
800F-1YMQ53V	AC Micro / 5-pin	BX01V	1	2	BX01V	4	5	—	—	—	3
800F-1YMQA	AC Micro / 6-pin	BX01	1	5	BX01	2	6	BX10	3	4	—
800F-NX1	DC Micro / 4-pin	BX01	1/4	2/3	—	—	—	—	—	—	—
800F-1YMQ1		BX01	1/4	2/3	—	—	—	—	—	—	—
800F-1YMQ2		BX10V	2	4	BX01V	1	3	—	—	—	—
800F-1YMQ3		BX01V	1	3	BX01V	2	4	—	—	—	—
800F-1YMQ3VEG		BX01V	1	3	BX01V	2	4	—	—	—	—
800F-1YMQ3V		DC Micro / 5-pin	BX01V	1	2	BX01V	4	5	—	—	—
800F-1YMQ41	Mini Receptacle / 4-pin	BX01	2	4	—	—	—	—	—	—	—
800F-1YMQ44		BX10	1	J	BX01	2	4	BN3R	3	J	J
800F-1YMQ4	Mini Receptacle / 6-pin	BX10	1	J	BX01	6	5	BN3R	2	J	J
800F-1YMQ5		BX10	1	J	BX01	6	5	BN5R	2	J	J
800F-1YMQ6		BX10	1	J	BX01	6	5	BN7R	2	J	J
800F-1MYMQ4		BX10	1	J	BX01	6	5	BN3R	2	J	J
800F-1MYMQ5		BX10	1	J	BX01	6	5	BN5R	2	J	J
800F-1MYMQ6		BX10	1	J	BX01	6	5	BN7R	2	J	J

J = Jumper