
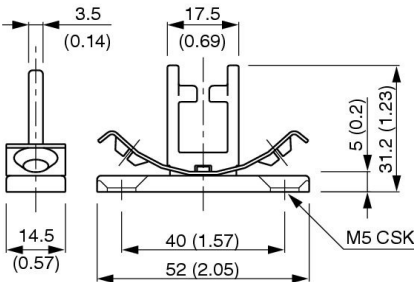

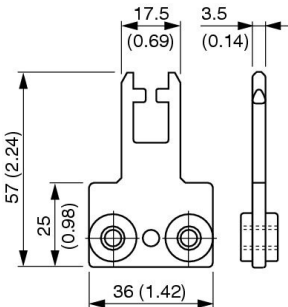

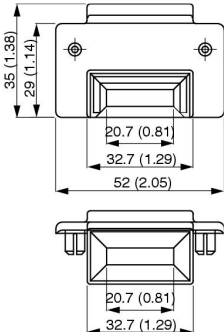

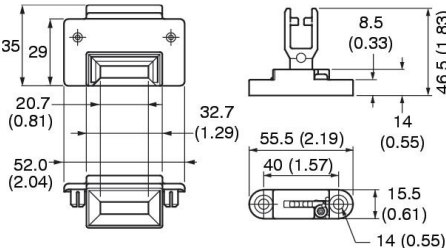

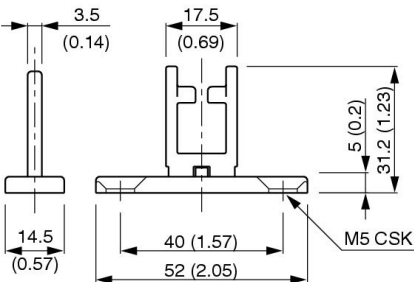


**Actuators★ (continued)**

Item	Description	Approximate Dimensions [mm (in.)]	Cat. No.
	Standard actuator		440K-A11095
	GD2 flat actuator		440K-A11112
	Replacement Alignment Guide		440K-A11115
	Alignment guide with semi-flexible actuator		440K-A11144
	Standard actuator		440K-A11238