



PANEL METERS

Award-Winning Solutions from the Number One Brand in the Industry

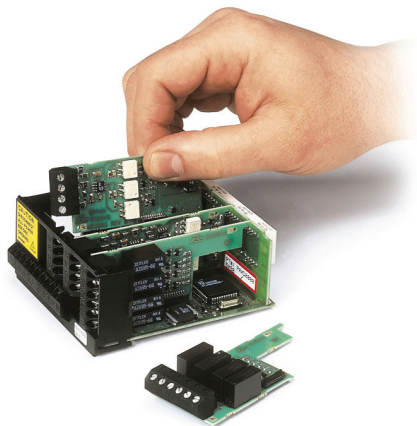


YOU REQUIRE CHOICES. WE PROVIDE YOU WITH OPTIONS.

SOLUTIONS FOR EVERYDAY APPLICATIONS

Red Lion offers high quality solutions for your digital and analog panel meter requirements. Our portfolio offers you a wide range of models, sizes and capabilities — from our indicators, to our versatile process meters with communication, you have the ability to add or change capabilities with plug-and-play, field-installable cards.





THE LAST METER YOU WILL EVER BUY

Driving down costs means thinking differently. That is why Red Lion's CUB5 and PAX meters offer the capability to add and change option cards as your application and communications requirements change. This field-upgradeable solution saves you money and is the perfect alternative to competitive meters that force you to order a new meter every time conditions change. With our meters, simply order the option card you need for easy, plug-and-play installation. Our wide range of output cards, including communications, set points and retransmitted analog, our meters can handle your challenging applications and changing requirements.



THE RED LION DIFFERENCE

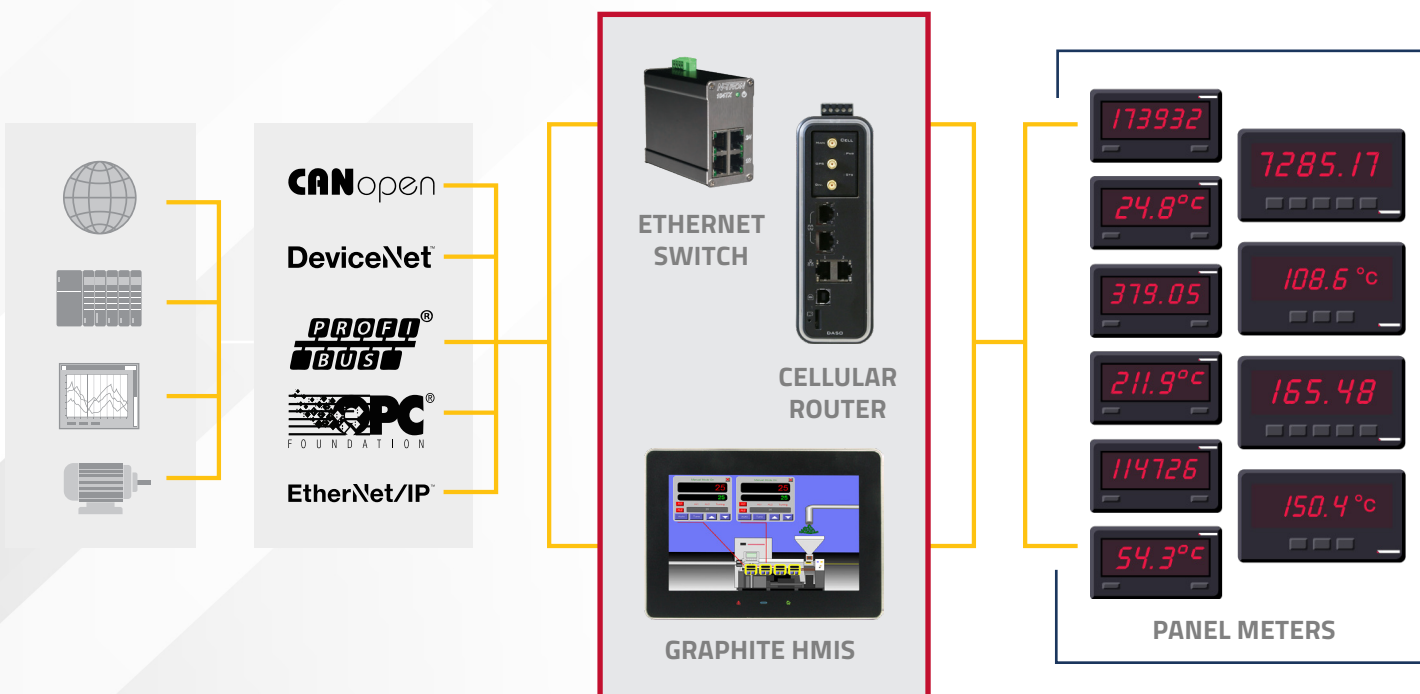
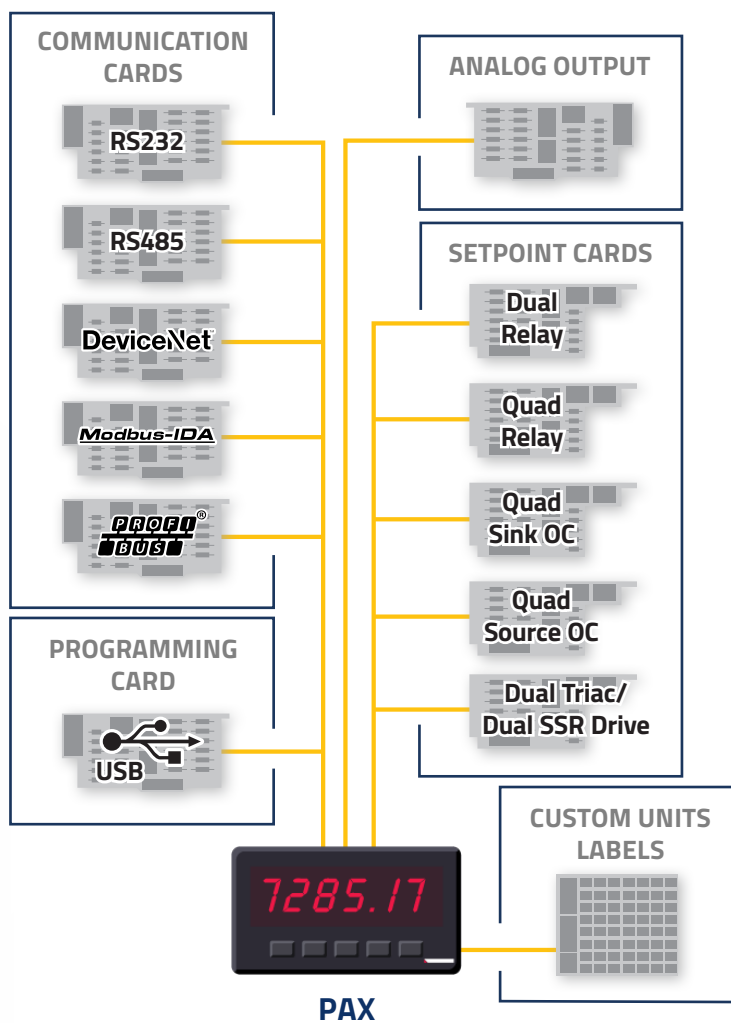
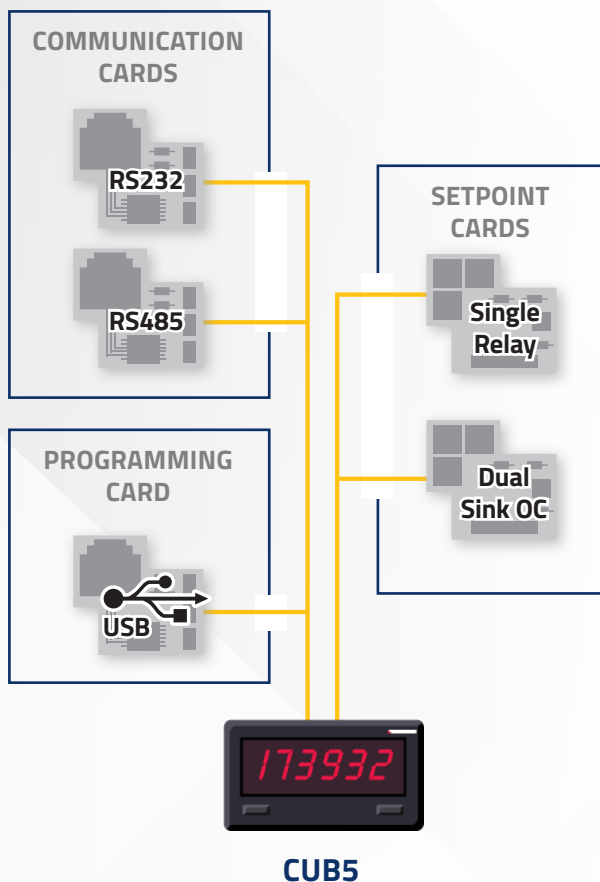
- ▲ Display Height: 0.3" (7.6 mm) to 4" (101 mm)
- ▲ Digital Meters: count, rate, time
- ▲ Analog Meters: current, process, resistance, strain gage, temperature, voltage
- ▲ PID Control: current, process, temperature, voltage
- ▲ Outputs: relay, solid state, retransmitted analog
- ▲ Various communication protocols
- ▲ Field-installable option cards providing flexibility as your business needs change
- ▲ Easy-to-use powerful capabilities of Crimson software



- ▲ Leading Panel Meter Brand: For 20 consecutive years the readers of Control Design Magazine have voted Red Lion the number one panel meter manufacturer in the industry.

FIELD-UPGRADEABLE PLUG-IN OPTION CARDS

Red Lion's CUB5 and PAX meters offer the capability to add and change option cards as your application and communications requirements change.



PANEL METER SPECIFICATIONS

DIGITAL APPLICATIONS

	CUB5	PAX Lite	C48C / C48T	PAX / PAX2	Large Displays
Counting/Totalizing	CUB5R000, CUB5B000	PAXLC600, PAXLC800	C48C Series	PAXC0020, PAX2D000	LD Series, LPAX/EPAX
Preset Count	CUB5R000*, CUB5B000*	PAXLCR00	C48C Series	PAXI0020*, PAX2D000*	LD Series, LPAX/EPAX
Batch Count	CUB5R000*, CUB5B000*	N/A	C48C Series	PAXI0020*, PAX2D000*	LD Series, LPAX/EPAX
Rate Indication	CUB5R000, CUB5B000	PAXLR000	N/A	PAXR0020, PAX2D000	LD Series, LPAX/EPAX
Rate Control	CUB5R000*, CUB5B000*	PAXLCR00	N/A	PAXI0020*, PAX2D000*	LD Series, LPAX/EPAX
Elapsed Timing	CUB5TR00, CUB5TB00	N/A	C48T Series	PAXTM000	LD Series, LPAX/EPAX
Time Control	CUB5TR00*, CUB5TB00*	N/A	C48T Series	PAXTM000*	LD Series, LPAX/EPAX
Real-Time Clock	N/A	N/A	N/A	PAXCK000	LPAX/EPAX

* Meter requires option card to provide capability.

ANALOG APPLICATIONS

	CUB5	PAX Lite	PXU	PAX / PAX2	Large Displays
AC Current	N/A	PAXLIA00, PAXLIT00	N/A	PAXH0000	LPAX/EPAX
AC Voltage	N/A	PAXLVA00, PAXLHV00	N/A	PAXH0000	LPAX/EPAX
DC Current	CUB5IR00, CUB5IB00	PAXLID00, PAXLA000	N/A	PAXD0000, PAX2A000,	LD Series, LPAX/EPAX
DC Voltage	CUB5VR00, CUB5VB00	PAXLVD00, PAXLA000	N/A	PAXD0000, PAX2A000	LD Series, LPAX/EPAX
Process Signals	CUB5PR00, CUB5PB00	PAXLCL00, PAXLA000	N/A	PAXP0000, PAX2A000	LD Series, LPAX/EPAX
Temperature, RTD/ Thermocouple	CUB5RTR0, CUB5RTB0 CUB5TCR0, CUB5TCB0	PAXLT000	N/A	PAXT0000, PAX2A000	LPAX/EPAX
Strain Gage/Load Cells	N/A	PAXLSG00	N/A	PAXS0000	LPAX/EPAX
PID Controller	N/A	N/A	PXU Series	PX2A8H00, PX2A8V00	N/A

* Meter requires option card to provide capability.

PANEL METER SPECIFICATIONS

INDICATION



CUB7
Miniature 1/32 DIN



PAX Lite
1/8 DIN Meter

CONTROL & INDICATION



CUB5
Miniature Intelligent Meter



C48C / C48T
Miniature 1/16 DIN



LD
Large Display

Display Type	8-digit reflective, red, or green backlight LCD: 0.35" (9 mm)	5- to 8-digit red LED display: 0.56" (14 mm)	5- or 8-digit reflective or red/green backlight LCD: 0.46" (12 mm)	6-digit reflective or red/green backlight LCD: 0.3" (7.6 mm) / 0.2" (5 mm)	5- and 6-digit 2.25" (57 mm) or 4" (101 mm) red LED display
Dimension (W x H)	2" x 1.1" (51 x 28 mm)	3.80" x 1.95" (97 x 50 mm)	2.95" x 1.5" (75 x 38 mm)	1.95" x 1.95" (50 x 50 mm)	12" x 4" (304 x 101 mm) or 16" x 4" (406 x 101 mm) or 20" x 7.87" (508 x 200 mm) or 26" x 7.87" (660 x 200 mm)
Input Capability	Count & time	Count, rate, time, current, voltage, process, strain gage & temperature	Count, rate, time, current, voltage, process & temperature	Count or time	Count, rate, time, current, voltage, process & serial slave
Setpoint Capability	N/A	Dual outputs (some models)	Single or dual outputs*	Single, dual & triple outputs	Single or dual outputs
Retransmitted Analog	N/A	N/A	N/A	N/A	N/A
Power Source	Lithium battery, 9 - 28 VDC for backlighting	85 - 250 VAC	9 - 28 VDC	85 - 250 VAC or 18 - 36 VDC / 24 VAC	Universal power, 50 - 250 VAC and 22 - 250 VDC
Sensor Excitation	N/A	Yes	N/A	Yes*	Yes
Other Features	Front panel reset or remote reset	Custom units overlay for analog meters	2 option card slots. front panel reset or remote reset	N/A	N/A
Communications Capability	N/A	N/A	Yes*	Yes	Yes
NEMA 4X/IP65	Front panel	Front panel	Front panel	Front panel	Sealed case

* Meter requires option card to provide capability.

ADVANCED CONTROL & INDICATION



PAX 1/8 DIN Intelligent Meter	PAX2 Dual Line 1/8 DIN Intelligent Meter	PXU 1/16, 1/8, 1/4 DIN	PAX2C Dual Line 1/8 DIN Intelligent Meter	LPAX / EPAX Large Displays
5- or 6-digit red or green LED display: 0.56" (14 mm)	Line 1 - Backlight 6-digit, 0.71" (18mm) red/orange/green LCD display Line 2 - Backlight 9-digit, 0.35" (8.9 mm) green LCD display	4-digit dual line red/orange LCD display 1/16 DIN Digit Size: Line 1 - 0.43" (11 mm); Line 2 - 0.27" (7.0 mm) 1/8 DIN Digit Size: Line 1 - 0.47" (12 mm); Line 2 - 0.47" (12 mm) 1/4 DIN Digit Size: Line 1 - 0.87" (22 mm); Line 2 - 0.55" (14 mm)	Vertical and horizontal units with red/orange/green LCD display Vertical: Line 1 - 0.51" (13 mm), Line 2 - 0.44" (11.2 mm) Horizontal: Line 1 - 0.62" (15.7 mm), Line 2 - 0.47" (12 mm)	5- and 6-digit 1.5" (38 mm) or 4" (101 mm) red LED display
3.80" x 1.95" (97 x 50 mm)	3.80" x 1.95" (97 x 50 mm)	1/16 DIN: 1.89" x 1.89" (48 x 48mm) 1/8 DIN: 1.89" x 3.77" (48 x 96mm) 1/4 DIN: 3.77" x 3.77" (96 x 96mm)	Vertical: 1.95" x 3.80" (50 x 97 mm) Horizontal: 3.80" x 1.95" (97 x 50 mm)	10" x 4.75" (254 x 121 mm) or 24.77" x 7.2" (629 x 183 mm)
Count, rate, time, current, voltage, process, strain gage and temperature	Current, voltage, process, resistance, and temperature	Full PID control for temperature or process	Full PID control for process and temperature	Count, rate, time, current, voltage, process, strain gage and temperature (INRT module sold separately)
Dual or quad outputs*	Dual or quad outputs*	Single, dual & triple outputs	Dual or quad outputs*	Dual or quad outputs*
Yes*	Yes*	Yes	Yes*	Yes*
85 - 250 VAC or 11 - 36 VDC	Universal power, 50 - 250 VAC and 22 - 250 VDC	100 - 240 VAC or 24 VAC / 24 VDC	Universal power, 50 - 250 VAC & 22 - 250 VDC	85 - 250 VAC or 11 - 36 VDC
Yes	Yes	No	Yes	Yes
Custom units overlay for analog meters, 3 option card slots	Custom programmable mnemonics, 3 option card slots,	Ramp/soak, remote setpoint and CT input	Ramp/soak, remote setpoint and CT input	USB programming card, 3 option card slots
Yes*	Yes*	Yes	Yes*	Yes*
Front panel	Front panel	IP65 only	Front panel	Front panel

* Meter requires option card to provide capability.

**NEED HELP SELECTING THE RIGHT METER? TRY OUR PANEL METER SELECTOR TOOL:
WWW.REDLION.NET/SUPPORT/PANEL-METER-SELECTOR**



Red Lion has been delivering innovative solutions to global markets since 1972 through communication, monitoring and control for industrial automation and networking - enabling companies worldwide to gain real-time data visibility that drives productivity. Red Lion is part of Spectris plc, the productivity enhancing instrumentation and controls company. For more information, please visit <http://www.redlion.net>

ADLD0097 07312020 © 2020 Red Lion Controls, Inc. All rights reserved. Red Lion, the Red Lion logo, N-Tron and Sixnet are registered trademarks of Red Lion Controls, Inc. All other company and product names are trademarks of their respective owners.