

AIR CYLINDER SERIES C85 BORE SIZES: Ø8, 10, 12, 16, 20, 25

- ✓ Conforms to CETOP RP52P and ISO 6432 standards
- ✓ Double or single acting models
- ✓ High speed actuation
- ✓ Auto switch sensing optional
- ✓ Special shaped rod seal gives high resistance to dust ingress
- ✓ Easy and accurate mounting
- ✓ Exceptional service life
- ✓ Non-rotate and double rod options are available
- ✓ Air Cushioning available



TECHNICAL SPECIFICATIONS

Bore size (mm)	8	10	12	16	20	25
Piston rod dia. (mm)	4	4	6	6	8	10
Piston rod thread	M4X0.7	M4X0.7	M6X1	M6X1	M8X1.25	M10X1.25
Ports	M5	M5	M5	M5	G½	G½
Action	Double acting: single + double rod, non rotating Single acting: spring return + extend, non-rotating					
Fluid	Air					
Proof pressure	15 Bar					
Max. operating pressure	10 Bar					
Min. operating pressure Double acting	1 Bar	0.8 Bar	0.5 Bar			
Min. operating pressure Single acting	2.2 Bar	1.8 Bar	1.3 Bar	2.3 Bar		
Ambient and fluid temperature	-20° - +80°C (Built-in magnet type: Max. 60°C)					
Cushion	Rubber cushion (standard)/Air cushion					
Lube	None (Non-lubricated)					
Piston speed	50 - 1500mm/s					
Allowable kinetic energy (J) (Rubber cushion)	0.02	0.03	0.04	0.09	0.27	0.40
Allowable kinetic energy (J) (Air cushion)	-	0.17	0.19	0.4	0.66	0.97
Stroke tolerance (mm)	0 / +1				0 / +1.4	
Non-rotating model accuracy	±1° 30'		±1°		±0° 42'	
Construction	Rod cover	Aluminium alloy (White alumite)				
	Cylinder tube	Stainless steel				
	Piston rod	Stainless steel			Carbon steel Hard chrome finish Ø20, Ø25 bores only	

INTERNATIONAL STANDARDS



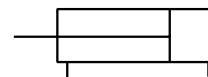
CETOP

- See also SMC products: C65, C75, C92 and C95

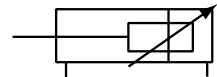
ISO 6432 CETOP RP 52P

SYMBOLS DOUBLE ACTING

Double Acting / Single Rod

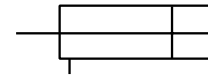


Rubber Cushion

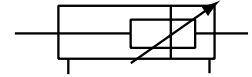


Air Cushion

Double Acting / Double Rod

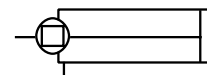


Rubber Cushion



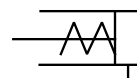
Air Cushion

Non-Rotation: Double Acting / Single Rod

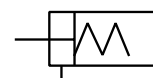


SYMBOLS SINGLE ACTING

Standard

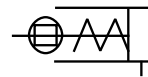


Spring return

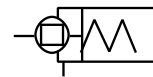


Spring extended

Non-rotating



Spring return



Spring extended



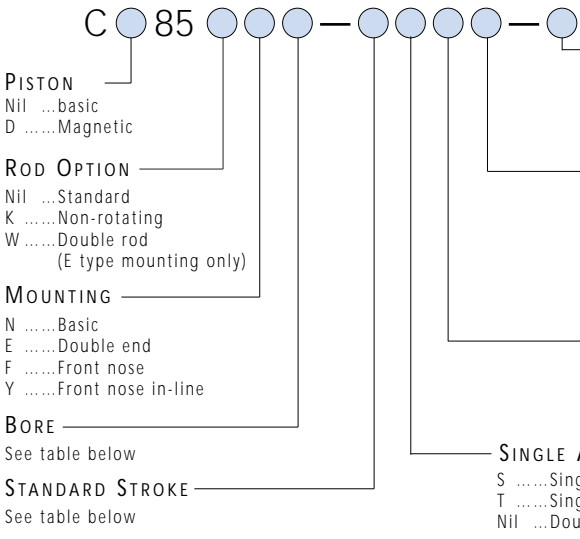
SEE INSIDE FRONT COVER FOR
DETAILS OF YOUR LOCAL SALES OFFICE



FOR FURTHER TECHNICAL
DETAILS ON THIS PRODUCT
CONTACT YOUR LOCAL
REGIONAL CENTRE

How To ORDER

C85 AIR CYLINDER ACTUATORS



AUTO SWITCH MOUNTING TYPE

- Nil ...Non-magnetic piston type
- BBare cylinder suitable for band mounting. Order band(s) separately - see accessories below
- ARail mount type (fitted). Nuts and screws to attach switch supplied with rail.

GAITER (Ø20 & 25MM ONLY)

- Nil ...without
- JNylon tarpaulin
- KNeoprene cloth
- *JJNylon tarpauline both sides
- *KKNeoprene cloth both sides
- *in case of double acting double rod

CUSHION

- Nil ...Rubber cushion
- CAir cushion - available on all double acting single rod 'N' mounting models and double acting double rod 'E' mounting models except Ø8mm and non-rotating models.

SINGLE ACTION FUNCTION

- SSingle acting spring return
- TSingle acting spring extended
- Nil ...Double acting

Single Acting		Double Acting	
Standard stroke (mm)	Bore size (mm)	Standard stroke (mm)**	Maximum stroke (mm)
10, 25, 50mm	*Ø8	10, 25, 40, 50, 80, 100	400
10, 25, 50mm	Ø10	10, 25, 40, 50, 80, 100	400
10, 25, 50mm	Ø12	10, 25, 40, 50, 80, 100, 125, 160, 200	400
10,25,50,100,150mm	Ø16	10, 25, 40, 50, 80, 100, 125, 160, 200	400
10,25,50,100,150mm	Ø20	10, 25, 40, 50, 80, 100, 125, 160, 200, 250, 300	1000
10,25,50,100,150mm	Ø25	10, 25, 40, 50, 80, 100, 125, 160, 200, 250, 300	1000

*Not available with air cushion **Other strokes available on request

ORDERING EXAMPLES

C85N 10 - 10 S

A single acting spring return cylinder with standard rod and basic mounting. Ø10mm - 10mm stroke.

CD85 WE20 - 50 C KKB

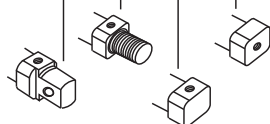
BM2 - 020 (x2) Band mounts
 D - A73L (x2) Reed switches

A magnetic, double acting double rod, air cushioned cylinder, neoprene gaiters on both sides, double end mounted. With band mounted Reed switches

VARIATION SERIES C85

Series	Action	Variations	Basic Integrated clevis (N)					Gaiter (only Ø20, Ø25)		Only bores Ø20, Ø25mm				Bores Ø8 to Ø16 and all non-rotating piston rod are already stainless steel			
			Bore Size (mm)					Boss cut (F)		Autoswitch		XB6 High temp	XB7 Low temp	XB9 Low speed	XC4 Heavy duty scraper	R	R2
			8	10	12	16	20	25	Boss cut end port (Y)	Rail	Band						
C85	Double acting Single rod	Rubber cushion	•	•	•	•	•	•	•	•	•	•	•	•	•	•	
		Air cushion	•	•	•	•	•	•	•	•	•	•	•	•	•	•	
		Non rotating	•	•	•	•	•	•	•	•	•	•	•	•	•	•	
		Direct mounting Base type	•	•	•	•	•	•	•	•	•	•	•	•	•	•	
		Direct mounting Front type	•	•	•	•	•	•	•	•	•	•	•	•	•	•	
	Double acting Double rod	Rubber cushion	•	•	•	•	•	•	•	•	•	•	•	•	•	•	
		Air cushion	•	•	•	•	•	•	•	•	•	•	•	•	•	•	
	Single acting Spring return	Rubber cushion	•	•	•	•	•	•	•	•	•	•	•	•	•	•	
		Non rotating	•	•	•	•	•	•	•	•	•	•	•	•	•	•	
		Rubber cushion	•	•	•	•	•	•	•	•	•	•	•	•	•	•	
	Single acting Spring extended	Rubber cushion	•	•	•	•	•	•	•	•	•	•	•	•	•	•	
		Non rotating	•	•	•	•	•	•	•	•	•	•	•	•	•	•	

• See How to order
 • Contact SMC for ordering details



MOUNTING FLEXIBILITY

Different head covers allow a great variety of mounting options.

Stainless steel piston rod and nuts
 Stainless steel piston rod and piston rod nut

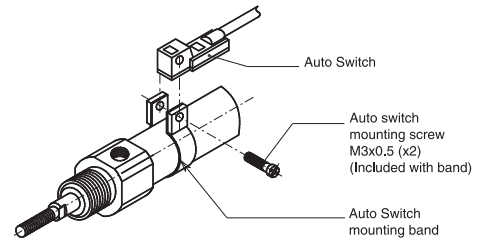


FOR FURTHER TECHNICAL DETAILS ON THIS PRODUCT CONTACT YOUR LOCAL REGIONAL CENTRE

ACCESSORIES
MOUNTING BRACKETS

Bore size (mm)	8	10	12	16	20	25
Mounting accessory						
Foot (1pc.)	C85L10A	C85L16A	C85L25A			
Foot (2pcs. with Mounting nut 1pc.)	C85L10B	C85L16B	C85L25B			
Piston Rod nut	M4X0.7 (C85)	M6X1 (C85)	M8X1.25 (C85)	M10X1.25 (C85)		
Flange	C85F10	C85F16	C85F25			
Trunnion	C85T10	C85T16	C85T25			
Clevis	C85C10	C85C16	C85C25			
Piston rod ball joint	KJ4D	KJ6D	KJ8D	KJ10D		
Piston rod clevis	GKM4-8	GKM6-12	GKM8-16	GKM10-20		
Floating joint	JA10-04-070	JA15-6-100	JA20-8-125	JA30-10-125		
Repair kit	—	—	PDU-8Z	PDU-10Z		

ACCESSORIES
BAND MOUNTED



STOCKED PRODUCTS
FOR A LIST OF STOCKED PRODUCTS,
PLEASE SEE THE CURRENT SMC PRICE LIST

ACCESSORIES
AUTO SWITCHES - BAND MOUNTING TYPE

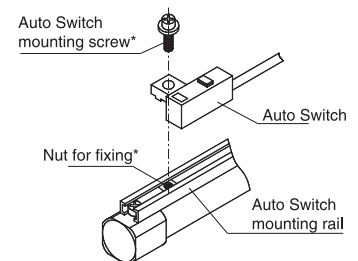
Part No. Grommet Type	Part No. Connector Type	TYPE	LOAD VOLTAGE	LOAD CURRENT	POWER SOURCE	INTERNAL VOLTAGE DROP	INDICATOR LAMP
D-C73L	D-C73CL	REED	24VDC 100VAC	5-40mA 5-20mA	—	MAX 2.4V	ON:RED L.E.D
D-C80L	D-C80CL	REED	24VDC/AC OR LESS 100VDC/AC	MAX 50mA MAX 20mA	—	0	NONE
D-H7A1L-Q	-	3 WIRE SOLID STATE NPN	28VDC OR LESS	MAX 150mA	5-28VDC	0.8V MAX	ON:RED L.E.D
D-H7A2L-Q	-	3 WIRE SOLID STATE PNP	28VDC OR LESS	MAX 100mA	5-28VDC	0.8V MAX	ON:RED L.E.D
D-H7BL-Q	D-K79CL-Q	2 WIRE SOLID STATE	10-28VDC	5- 150mA	-	3V MAX	ON:RED

ACCESSORIES
SWITCH BANDS

Bore size	Ø8	Ø10	Ø12	Ø16	Ø20	Ø25
Auto switch model						
D-C7, D-C8, D-H7 type	BJ2-008	BJ2-010	BJ2-012	BJ2-016	BM2-020	BM2-025

(Also D-K79CL-Q)

ACCESSORIES
RAIL MOUNTED



* Supplied with rail as part of cylinder

ACCESSORIES
AUTO SWITCHES - RAIL MOUNTING TYPE

Part No. Grommet Type	Part No. Connector Type	TYPE	LOAD VOLTAGE	LOAD CURRENT	POWER SOURCE	INTERNAL VOLTAGE DROP	INDICATOR LAMP
D-A73L	-	REED	24VDC	5-40mA	5-28VDC	2.4V MAX	ON:RED L.E.D
D-A80L	-	REED	24V AC/DC 48V AC/DC 110VAC/DC	MAX 50mA MAX 40mA MAX 20mA	5-28VDC	-	NONE
-	D-A73CN	REED	24 VDC	5-40mA	5-28VDC	2.4V MAX	ON:RED L.E.D
-	D-A80CN	REED	24V AC/DC	MAX 50mA	5-28VDC	-	NONE
D-F79L-Q	-	SOLID STATE 3 WIRE NPN	28 VDC	MAX 150mA	5-28VDC	0.8V MAX	ON:RED L.E.D.
D-F7PL-Q	-	SOLID STATE 3 WIRE PNP	-	MAX 100mA	5-28VDC	0.8V MAX	ON:RED L.E.D
D-F7PWL-Q	-	SOLID STATE 3 WIRE PNP	-	MAX 80mA	5-28VDC	0.8V MAX	TWO COLOURS



SEE INSIDE FRONT COVER FOR
DETAILS OF YOUR LOCAL SALES OFFICE

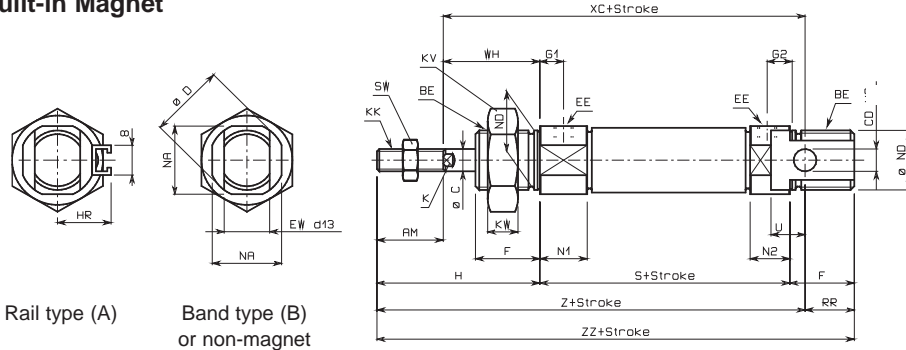


FOR FURTHER TECHNICAL
DETAILS ON THIS PRODUCT
CONTACT YOUR LOCAL
REGIONAL CENTRE

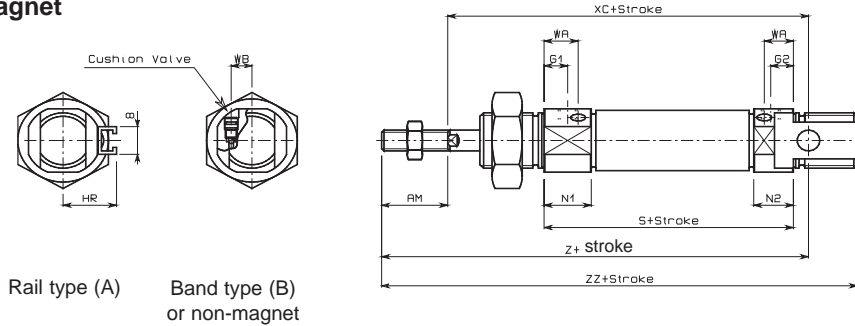
DIMENSIONS

DOUBLE ACTING: SINGLE ROD
C085N/RUBBER CUSHION, AIR CUSHION, NON-ROTATING

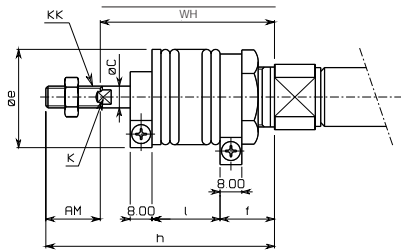
Rubber Cushion/C 85N Bore - Stroke -
Without Magnet, Built-in Magnet



Air Cushion/C 85N Bore - Stroke C -
Without Magnet, Built-in Magnet

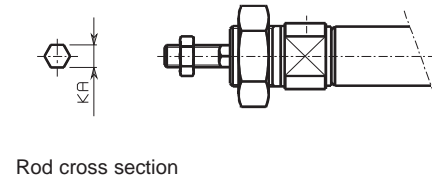


With Gaiter



C 85KN

Non-rotating, Piston rod (Rubber Cushion Only)



Unit: mm

Bore	AM	BE	ØC	ØCD	ØD	EE	EW	F	G1	G2	WA	WB	H	HR	K	KA	KK	KV	KW	N1	N2	NA	ØND(h8)	RR	S	SW	U	WH	XC	Z	ZZ
Ø8	12	M12x1.25	4	4H9	16.7	M5 x 0.8	8	12	7	5	—	—	28	10	—	4.2	M4 x 0.7	19	7	11.5	9.5	15	12	10	46	7	6	16	64	76	86
Ø10	12	M12x1.25	4	4H9	16.7	M5 x 0.8	8	12	7 (5.5)	5 (5.5)	10.5	4.5	28	10.5	—	4.2	M4 x 0.7	19	7	11.5 (13.5)	9.5 (13.5)	15	12	10	46 (83)	7	6	16	64 (71)	76 (83)	86 (93)
Ø12	16	M16x1.5	6	6H9	19.7	M5 x 0.8	12	17	8 (5.5)	6 (5.5)	9.5	5.5	38	14	5	6.2	M6 x 1	24	8	12.5 (12.5)	10.5 (12.5)	18	16	14	50 (54)	10	9	22	75 (79)	91 (95)	105 (109)
Ø16	16	M16x1.5	6	6H9	19.7	M5 x 0.8	12	17	8 (5.5)	6 (5.5)	9.5	5.5	38	14	5	6.2	M6 x 1	24	8	12.5 (12.5)	10.5 (12.5)	18	16	13	56 (56)	10	9	22	82 (82)	98 (98)	111 (111)
Ø20	20	M22x1.5	8	8	28	G1/8	16	20	8	8	11.5(13)	8.5	44	17	6	8.2	M8 x 1.25	32	10	15(17)	15(17)	24	22	11	62	13	12	24	95	115	126
Ø25	22	M22x1.5	10	8	33.5	G1/8	16	22	8	8	11.5(13)	10.5	50	20	8	10.2	M10 x 1.25	32	10	15(17)	15(17)	30	22	11	65	17	12	28	104	126	137

(): In case of air cushion.

With Gaiter

Bore	Item Stroke	AM	ØC	Øe	f	K	KK	h						
								1~50	51~100	101~150	151~200	201~300	301~400	401~500
20	20	20	8	35	20	6	M8 x 1.25	71	84	96	109	134	159	—
25	22	22	10	35	20	8	M10 x 1.25	74	87	99	112	137	162	187

Bore	Item Stroke	l						Wh							
		1~50	51~100	101~150	151~200	201~300	301~400	401~500	1~50	51~100	101~150	151~200	201~300	301~400	401~500
20	20	12.5	25	37.5	50	75	100	—	51	64	76	89	114	139	—
25	22	12.5	25	37.5	50	75	100	125	52	65	77	90	115	140	165

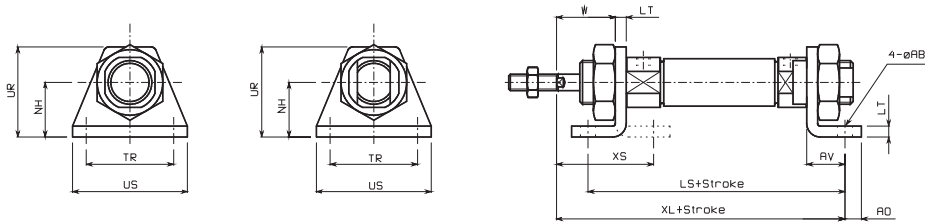


FOR FURTHER TECHNICAL
DETAILS ON THIS PRODUCT
CONTACT YOUR LOCAL
REGIONAL CENTRE

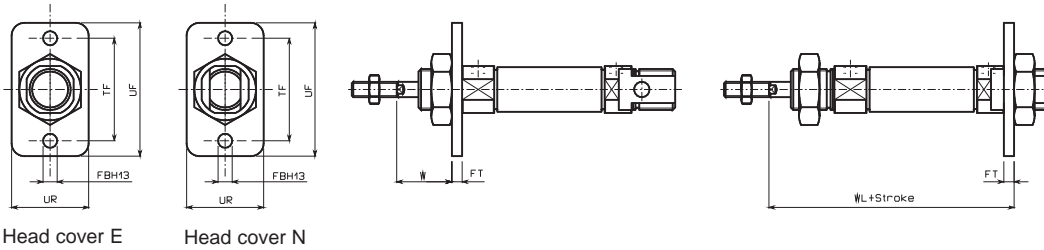
DIMENSIONS

DOUBLE ACTING: SINGLE ROD
C85N/C85E
WITH MOUNTING BRACKETS

Rod Foot, Rod And Head Foot: C85L10^A_B, C85L16^A_B, C85L25^A_B



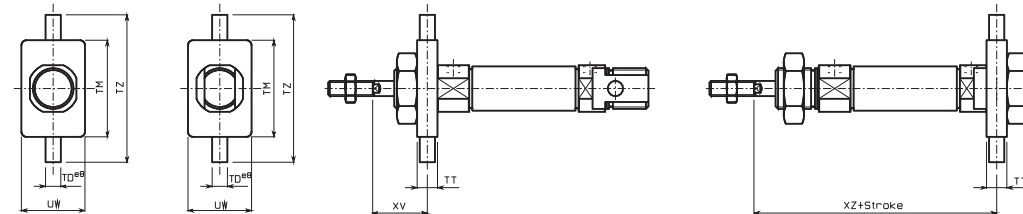
Rod Flange, Head Flange: C85F10, C85F16, C85F25



Head cover E

Head cover N

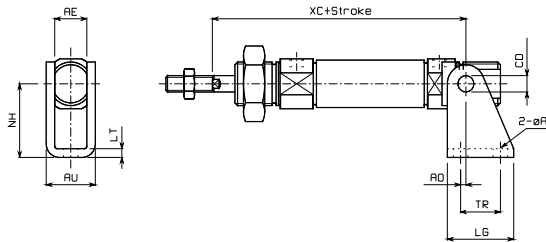
Rod Trunnion, Head Trunnion: C85T10, C85T16, C85T25



Head cover E

Head cover N

Clevis: C85C10, C85C16, C85C25



Unit: mm

Bore	Rod foot, Rod and head foot											Rod flange, Head flange							
	AO	US	ØAB	LT	NH	LS	XL	TR JS14	XS	AV	UR	W	UR	FBH13	FT	TF	UF	W	WL
Ø8	5	35	4.5	3.2	16	68	73	25	23.8	11	26	12.8	22	4.5	3.2	30	40	12.8	65.2
Ø10	5	35	4.5	3.2	16	68(75)	73(80)	25	23.8	11	26	12.8	22	4.5	3.2	30	40	12.8	65.2(72.2)
Ø12	6	42	5.5	4	20	78(82)	86(90)	32	32	14	33	18	30	5.5	4	40	52	18	76(80)
Ø16	6	42	5.5	4	20	84(84)	92(92)	32	32	14	33	18	30	5.5	4	40	52	18	82(82)
Ø20	8	54	6.6	5	25	96	103	40	36	17	42	19	40	6.6	5	50	66	19	91
Ø25	8	54	6.6	5	25	99	110	40	40	17	42	23	40	6.6	5	50	66	23	98

Bore	Rod trunnion, Head trunnion							Clevis									
	TT	UW	TD e8	TM	TZ	XV	XZ	ØCD	AE	ØAB	AO	AU	TR	LG	NH	LT	XC
Ø8	6	20	4	26	38	13	65	4H9	8.1	4.5	1.5	13.1	12.5	20	24	2.5	64
Ø10	6	20	4	26	38	13	65(72)	4H9	8.1	4.5	1.5	13.1	12.5	20	24	2.5	64(71)
Ø12	8	25	6	38	58	18	76(80)	6H9	12.1	5.5	2	18.5	15	25	27	3.2	75(79)
Ø16	8	25	6	38	58	18	82(82)	6H9	12.1	5.5	2	18.5	15	25	27	3.2	82(82)
Ø20	8	32	6	46	66	20	90	8 ^{+0.036} _{-0.006}	16.1	6.6	4	24.1	20	32	30	4	95
Ø25	8	32	6	46	66	24	97		16.1	6.6	4	24.1	20	32	30	4	104

(): In case of air cushion.



SEE INSIDE FRONT COVER FOR
DETAILS OF YOUR LOCAL SALES OFFICE



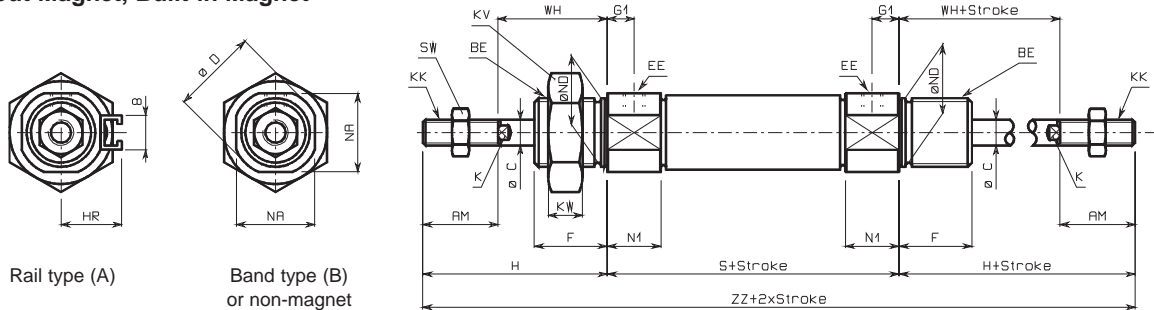
FOR FURTHER TECHNICAL
DETAILS ON THIS PRODUCT
CONTACT YOUR LOCAL
REGIONAL CENTRE

DIMENSIONS

DOUBLE ACTING: DOUBLE ROD
C85WE/RUBBER CUSHION, AIR CUSHION

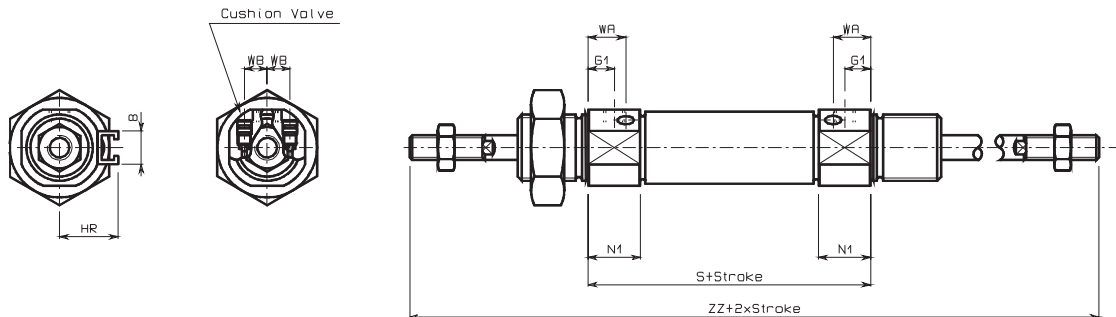
Rubber Cushion/C85WE Bore - Stroke -

Without Magnet, Built-in Magnet

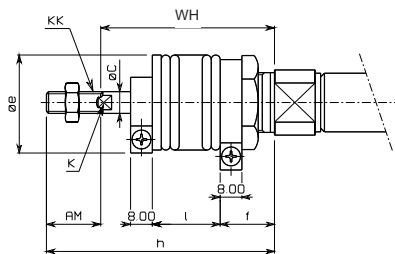


Air Cushion/C85WE Bore - Stroke C -

Without Magnet, Built-in Magnet



With Gaiter



Unit: mm

Bore	AM	BE	ØC	ØD	EE	F	G1	WA	WB	H	HR	K	KK	KV	KW	N1	NA	ØND(h8)	S	SW	WH	ZZ
Ø8	12	M12 x 1.25	4	16.7	M5 x 0.8	12	7	—	—	28	10	—	M4 x 0.7	19	7	11.5	15	12	48(54)	7	16	104(110)
Ø10	12	M12 x 1.25	4	16.7	M5 x 0.8	12	7{5.5}	10.5	4.5	28	10.5	—	M4 x 0.7	19	7	11.5(13.5)	15	12	48(53)	7	16	104(109)
Ø12	16	M16 x 1.5	6	19.7	M5 x 0.8	17	8(5.5)	9.5	5.5	38	14	5	M6 x 1	24	8	12.5(12.5)	18	16	52(54)	10	22	128(130)
Ø16	16	M16 x 1.5	6	19.7	M5 x 0.8	17	8(5.5)	9.5	5.5	38	14	5	M6 x 1	24	8	12.5(12.5)	18	16	52(54)	10	22	128(143)
Ø20	20	M22 x 1.5	8	28	G1/8	20	8	11.5(13)	8.5	44	17	6	M8 x 1.25	32	11	15(17)	24	22	62	13	24	150
Ø25	22	M22 x 1.5	10	33.5	G1/8	22	8	11.5(13)	10.5	50	20	8	M10 x 1.25	32	11	15(17)	30	22	65	17	28	165

(): In case of air cushion. { }: In case of built in magnet

With Gaiter

Bore	Item Stroke	AM	ØC	Øe	f	K	KK	h						
								1-50	51-100	101-150	151-200	201-300	301-400	401-500
20	20	20	8	35	20	6	M8 x 1.25	71	84	96	109	134	159	—
25	22	22	10	35	20	8	M10 x 1.25	74	87	99	112	137	162	187

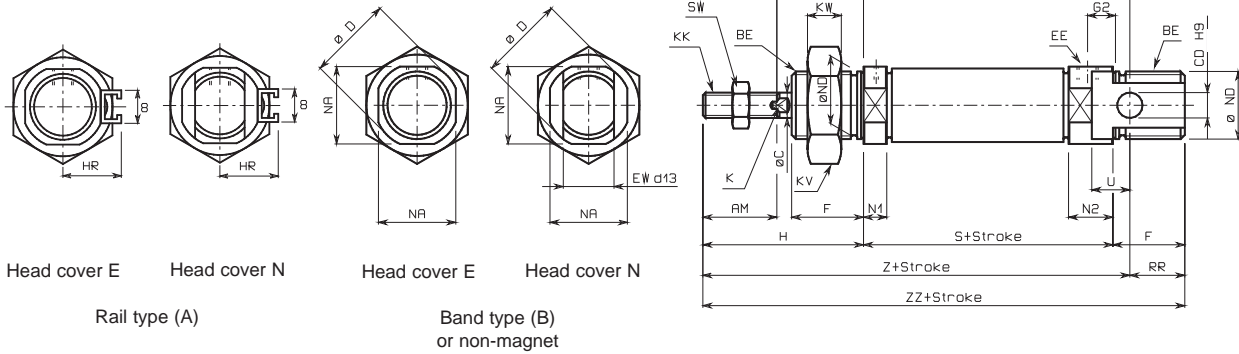
Bore	Item Stroke	I							Wh						
		1-50	51-100	101-150	151-200	201-300	301-400	401-500	1-50	51-100	101-150	151-200	201-300	301-400	401-500
20	20	12.5	25	37.5	50	75	100	—	51	64	76	89	114	139	—
25	22	12.5	25	37.5	50	75	100	125	52	65	77	90	115	140	165



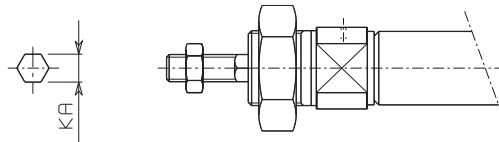
FOR FURTHER TECHNICAL
DETAILS ON THIS PRODUCT
CONTACT YOUR LOCAL
REGIONAL CENTRE

DIMENSIONS
SINGLE ACTING
C085N, C085E/SPRING RETURN, NON-ROTATING

C \bigcirc $\frac{N}{E}$ **85** **Bore** - **Stroke** **S** - \bigcirc
Without Magnet, Built-in Magnet



C \bigcirc **85KN**, **C** \bigcirc **85KE**
Non-rotating (piston rod)



Rod cross section

Unit: mm

Bore	AM	BE	ØC	ØCD	ØD	EE	EW	F	G2	H	HR	K	KA	KK	KV	KW	N1	N2	NA	ØND(h8)	RR	SW	U	WH
Ø8	12	M12x1.25	4	4H9	16.7	M5 x 0.8	8	12	5	28	10	—	4.2	M4 x 0.7	19	7	5.5	9.5	15	12	10	7	6	16
Ø10	12	M12x1.25	4	4H9	16.7	M5 x 0.8	8	12	5	28	10.5	—	4.2	M4 x 0.7	19	7	5.5	9.5	15	12	10	7	6	16
Ø12	16	M16x1.5	6	6H9	19.7	M5 x 0.8	12	17	6	38	14	5	6.2	M6 x 1	24	8	5.5	10.5	18	16	14	10	9	22
Ø16	16	M16x1.5	6	6H9	19.7	M5 x 0.8	12	17	6	38	14	5	6.2	M6 x 1	24	8	5.5	10.5	18	16	13	10	9	22
Ø20	20	M22x1.5	8	8 ^{+0.036} _{-0.006}	27.9	G1/8	16	20	8	44	17	6	8.2	M8 x 1.25	32	10	15	15	24	22	11	13	12	24
Ø25	22	M22x1.5	10	—	33.4	G1/8	16	22	8	50	20	8	10.2	M10 x 1.25	32	10	15	15	30	22	11	17	12	28

Bore	S			XC			Z			ZZ		
	1-50	51-100	101-150	1-50	51-100	101-150	1-50	51-100	101-150	1-50	51-100	101-150
Ø8	46(52){56(62)}	—	—	64(70){74(80)}	—	—	76(82){86(92)}	—	—	86(92){96(102)}	—	—
Ø10	46(50){56(60)}	—	—	64(68){74(78)}	—	—	76(80){86(90)}	—	—	86(90){96(100)}	—	—
Ø12	50(53.5){60(63.5)}	—	—	75(78.5){85(88.5)}	—	—	91(94.5){101(104.5)}	—	—	105(108.5){115(118.5)}	—	—
Ø16	56(59.5){66(69.5)}	71.5(75){92(95.5)}	87(90.5){118(121.5)}	82(85.5){92(95.5)}	97.5(101){118(121.5)}	113(116.5){144(147.5)}	98(101.5){108(111.5)}	113.5(117){134(137.5)}	129(132.5){160(163.5)}	111(114.5){121(124.5)}	126.5(130){147(150.5)}	142(145.5){173(176.5)}
Ø20	62(87)	112	137	95(120)	145	170	115(140)	165	190	126(151)	176	201
Ø25	65(88.5)	113.5	138.5	104(127.5)	152.5	177.5	126(149.5)	174.5	199.5	137(160.5)	185.5	210.5

(): In case of autoswitch type. { }: In case of non-rotating.



SEE INSIDE FRONT COVER FOR
DETAILS OF YOUR LOCAL SALES OFFICE



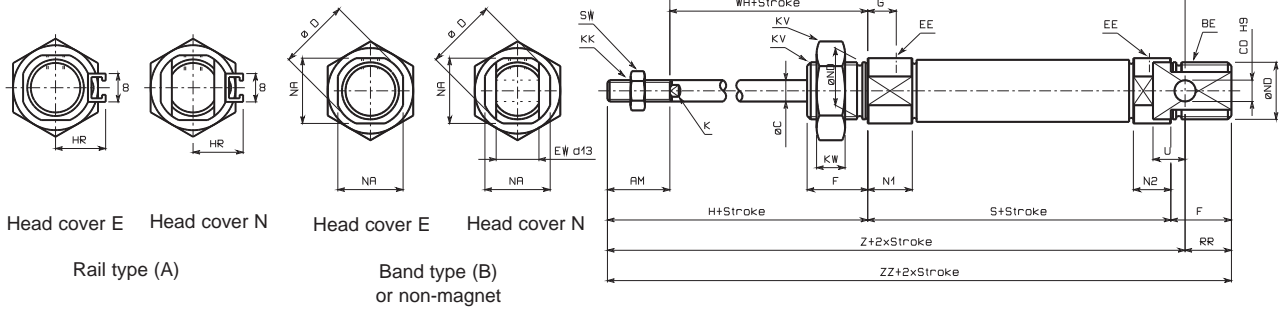
FOR FURTHER TECHNICAL
DETAILS ON THIS PRODUCT
CONTACT YOUR LOCAL
REGIONAL CENTRE

DIMENSIONS

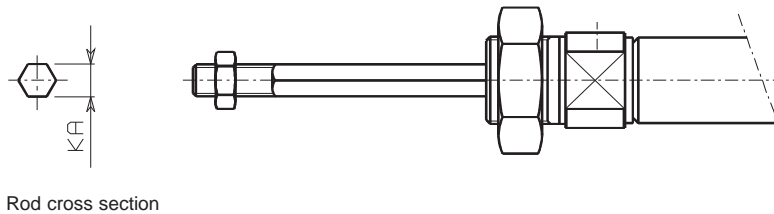
SINGLE ACTING

CO85N, CO85E/SRING EXTENDED, NON-ROTATING

C \bigcirc **85**^N **E** **Bore** - **Stroke** **T** - \bigcirc
Without magnet, built-in magnet



C \bigcirc **85KN,E**
Non-Rotating (piston rod)



Unit: mm

Bore	AM	BE	øC	øCD	øD	EE	EW	F	G	H	HR	K	KA	KK	KV	KW	N ₁	N ₂	NA	øND(h8)	RR	SW	U	WH
ø8	12	M12x1.25	4	4H9	16.7	M5 x 0.8	8	12	7	28	10	—	4.2	M4 x 0.7	19	7	11.5	9.5	15	12	10	7	6	16
ø10	12	M12x1.25	4	4H9	16.7	M5 x 0.8	8	12	7	28	10.5	—	4.2	M4 x 0.7	19	7	11.5	9.5	15	12	10	7	6	16
ø12	16	M16x1.5	6	6H9	19.7	M5 x 0.8	12	17	8	38	14	5	6.2	M6 x 1	24	8	12.5	10.5	18	16	14	10	9	22
ø16	16	M16x1.5	6	6H9	19.7	M5 x 0.8	12	17	8	38	14	5	6.2	M6 x 1	24	8	12.5	10.5	18	16	13	10	9	22
ø20	20	M22x1.5	8	8 ^{+0.036} _{-0.006}	27.9	G1/8	16	20	8	44	17	6	8.2	M8 x 1.25	32	10	15	15	24	22	11	13	12	24
ø25	22	M22x1.5	10		33.4	G1/8	16	22	8	50	20	8	10.2	M10 x 1.25	32	10	15	15	30	22	11	17	12	28

Bore	S			Z			XC			ZZ		
	1-50	51-100	101-150	1-50	51-100	101-150	1-50	51-100	101-150	1-50	51-100	101-150
ø8	64.5(70.5)	—	—	94.5(100.5)	—	—	82.5(88.5)	—	—	104.5(110.5)	—	—
ø10	64.5(68.5)	—	—	94.5(98.5)	—	—	82.5(86.5)	—	—	104.5(108.5)	—	—
ø12	70(73.5)	—	—	111(114.5)	—	—	95(98.5)	—	—	125(128.5)	—	—
ø16	75(78.5)	101(104.5)	127(130.5)	117(120.5)	143(146.5)	169(172.5)	101(104.5)	127(130.5)	153(156.5)	130(133.5)	156(159.5)	182(185.5)
ø20	87	112	137	140	165	190	120	145	170	151	176	201
ø25	88.5	113.5	138.5	149.5	174.5	199.5	127.5	152.5	177.5	160.5	185.5	210.5

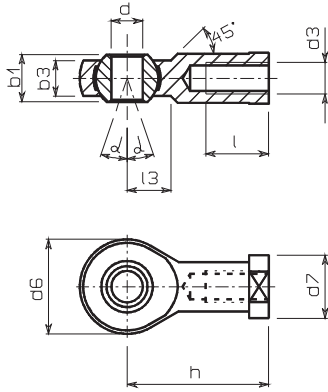
() : In case of autoswitch type.



FOR FURTHER TECHNICAL
DETAILS ON THIS PRODUCT
CONTACT YOUR LOCAL
REGIONAL CENTRE

DIMENSIONS
SINGLE ACTING
ROD ACCESSORIES

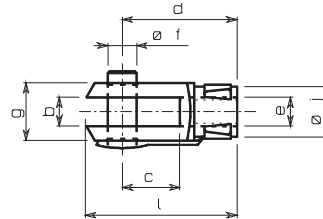
Single Knuckle Joint/DIN648 - DIN24335



Unit: mm

Bore Size	Model	Thread	d3	dH7	h	d6	b3	b1	l	d7	α^0	l3
Ø8	KJ4D	M4	5	27	18	6.0	8	10	11	7.5	10	
Ø10	KJ4D	M4	5	27	18	6.0	8	10	11	7.5	10	
Ø12	KJ6D	M6	6	30	20	6.75	9	12	13	6.5	10	
Ø16	KJ6D	M6	6	30	20	6.75	9	12	13	6.5	10	
Ø20	KJ8D	M8	8	36	24	9	12	16	16	13	12	
Ø25	KJ10D	M10x1.25	10	43	28	10.5	14	20	19	13	14	

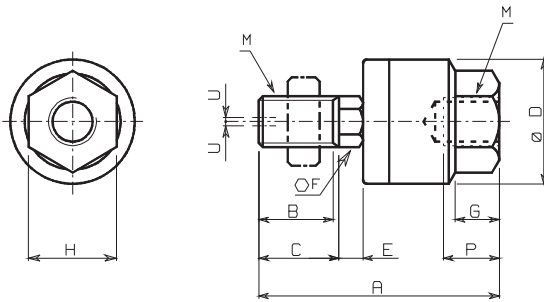
Double Knuckle Joint/ISO8140 - DIN71752



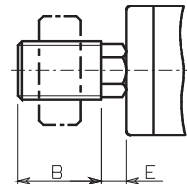
Unit: mm

Bore Size	Model	Thread	e	b	d	f	g	c	j	a
Ø8	GKM4-8	M4	4	16	4	8	8	6	8	
Ø10	GKM4-8	M4	4	16	4	8	8	6	8	
Ø12	GKM6-12	M6	6	24	6	10	12	8	12	
Ø16	GKM6-12	M6	6	24	6	10	12	8	12	
Ø20	GKM8-16	M8	8	32	8	12	16	10	16	
Ø25	GKM10-20	M10x1.25	10	40	10	18	20	12	20	

Floating-Joint/Series JA



In case of dimension without C



Unit: mm

Bore Size	Model	M		A	B	C	D	E	F	G	H	Maximum screwed depth P	Allowable eccentricity U	Max. operating tension and compression power kgf (KN)
		Nominal thread dia.	Pitch											
Ø8, Ø10	JA10-4-070	4	0.7	26	9	10	12	1.5	4	4	7	5.5	0.5	5.4(0.054)
Ø12, Ø16	JA15-6-100	6	1	34.5	12.5	14	16	2	6	5	10	7	0.5	12.3(0.123)
Ø20	JA20-8-125	8	1.25	44	17.5	—	21	4.5	7	7	13	8	0.5	110(1.1)
Ø25	JA30-10-125	10	1.25	49.5	19.5	—	24	5	8	8	17	9	0.5	250(2.5)



SEE INSIDE FRONT COVER FOR
DETAILS OF YOUR LOCAL SALES OFFICE



FOR FURTHER TECHNICAL
DETAILS ON THIS PRODUCT
CONTACT YOUR LOCAL
REGIONAL CENTRE