



## Ex position switch

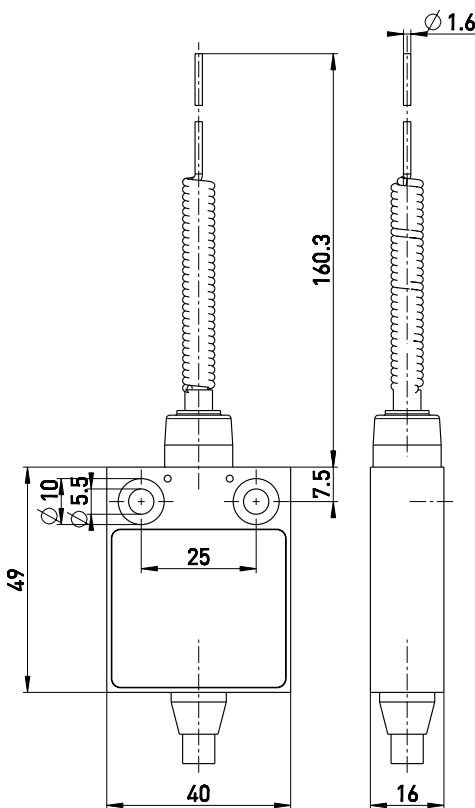
Ex 13 TL 1Ö/1S - 5m

Material number: 1181045 (Material number old: 13032302)

### Features/Options:

- Ex zone 1 and 21
- Thermoplastic enclosure
- Double insulated
- Suitable for in-line mounting
- With pre-wired cable, cable length 5 m
- Actuator: Long spring rod TL
- Spring rod can be actuated from any direction
- Spring rod can be shortened 30 mm in actuating area
- Exact linear actuation not necessary
- Elasticity of the spring allows for deflection above the max. switching angle of 18°
- N.B.: Please state required approvals for Russia, China and Brazil with your order!

### Dimensions



### Technical data

Standards	EN 60947-5-1; EN 60079-0, EN 60079-1, EN 60079-31
Enclosure	glass-fibre reinforced, shock-proof thermoplastic (PA 66), self-extinguishing UL 94-V0
Degree of protection	IP 65 to IEC/EN 60529
Contact material	silver
Switching system	slow action
Switching elements	1 NC/1 NO contact, type Zb
Connection	cable H05VV-F, 4 x 0.75 mm <sup>2</sup>
U <sub>imp</sub>	4 kV
U <sub>i</sub>	250 V
I <sub>the</sub>	T6: 6 A, T5: 3 A
I <sub>e</sub> /U <sub>e</sub>	6 A/250 VAC; 0.25 A/230 VDC
Utilisation category	AC-15; DC-13
Max. fuse rating	6 A gG/gN fuse
Ambient temperature	T6: -20 °C ... +65 °C, T5: -20 °C ... +75 °C, +90 °C with max. 3 A
Mechanical life	> 1 million operations
Operation cycles	1800/h
Repeat accuracy of switching points	± 0.1 mm
Contact opening	max. 2 x 4 mm
Impact energy	max. 7 J



Ex position switch

Ex 13 TL 1Ö/1S - 5m

Material number: 1181045 (Material number old: 13032302)

## Technical data

Ex marking

⊕ II 2G Ex db IIC T6/T5 Gb,  
⊕ II 2D Ex tb IIIC  
T80 °C/T95 °C Db  
IECEX Ex db IIC T6/T5 Gb,  
Ex tb IIIC T80 °C/T95 °C Db

Approvals

PTB 03 ATEX 1068 X  
IECEX PTB 06.0053X

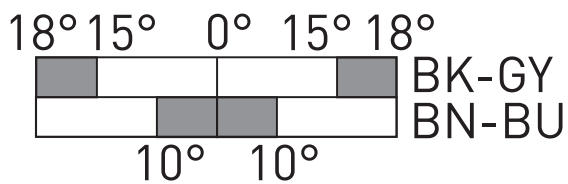


cSP US on request

Weight

440 g

## Switching diagram



## Contact diagram

